

# **2003 & BEYOND LIGHT DUTY C/K FULL-SIZE TRUCK ELECTRICAL**

## **Overview**

### **ORGANIZATION**

The Light Duty C/K Full Size Trucks went through a major electrical system change in 2003. This change was called a Mid Cycle Enhancement. This document will be updated only to reflect a major subsystem change until the next platform major electrical redesign. This document is believed to be correct until the next platform major design change. This document is organized as follows:

- Systems Operation – How it works
- Component Locator – Where it is
- Connectors & Pinouts – What it looks like, and finally,
- Subsystem Schematics – Detailed wiring and electrical schematic information.

### **WHAT'S NEW FOR THE LIGHT DUTY C/K FULL SIZE TRUCKS MANUAL**

- ~~Detailed System Operation Instructions are provided for PTO and Fast Idle operation. Also included is information on Trailer Wiring, Exterior Lighting and the Passlock interface. This section has been expanded to have diagrams integral to the text rather than reference a separate section for graphics.~~
- Component Locator Pages have been included to show the location of major electronic modules on both the Pickup / Cab-chassis and the Utility vehicle.
- An Acronym and Abbreviation list used in the Electrical Component Legend, Ground Zone, and Electrical Schematic sections is included.
- Connector Detail and Location Illustrations are provided for many interfaces. Terminal, Cable Seal, and mating connector information have been added where appropriate.
- Detailed Electrical Schematics are provided for most subsystems.
- ~~New LLY 6.6L engine information is added for diesel engines sold after 1/01/04. See LLY ECM Connector and Location Drawings, Engine Controls, and Transmission Schematics.~~
- ~~The LLY 6.6L engine ECM is new for 2006. The connectors changed from a 3-way to a 2-way. Connector pin-outs and location are included in the connector section. Schematics for the ECM and affected subsystems are not included in this document.~~
- ~~An expanded LED Turn Signal page is included in the Application Notes.~~

### **SPECIAL INTEREST TO UPFITTERS**

MID BEC provides a convenient in-cab location for interfacing with the vehicle.

*(continued on next page)*

# **2003 & BEYOND LIGHT DUTY C/K FULL-SIZE TRUCK ELECTRICAL**

---

*(Overview – continued from previous page)*

## **Navigation**

The Table of Contents and Index items are linked to the actual page. Click on the item of interest and you'll go to the corresponding page. You can return with the "previous page" arrow in the upper center of the screen. Other links embedded in the document are hi-lighted in blue.

## **Viewing**

The size (%) control is located in the lower left corner of the screen. Click the down arrow and select "fit in window" (62%) or "actual size" (100%) for most viewing applications. You can zoom in schematic detail by selecting a larger percentage.

## **Printing**

Specific pages can be printed out. Be careful to select a print range or "current page" or all 315 pages will try to print out.

Information provided is believed to be accurate at the time of publication. GM reserves the right to change the information at any time.

## Index

### SYSTEM OPERATION INSTRUCTIONS

<b>Power Take Off (PTO) / Fast Idle</b> .....	A-1
<b>OUTLINE</b> .....	A-1
A. PTO Overview .....	A-2
B. PTO Information .....	A-2
C. PTO – Preset Mode (Factory Default Setting) .....	A-6
D. PTO – Variable Mode .....	A-8
E. High Idle Procedure for 2500HD & 3500 Series Trucks with 8.1L (L18) Gas Engine .....	A-9
F. High Idle Procedure for 2500HD & 3500 Series Trucks with 6.6L (LB7) Diesel Engine .....	A-11
G. Fast Idle Switch Installation on 8.1L (L18) Gas Engine & 6.6L (LB7) Diesel Engine .....	A-12
H. PTO Programming Guide .....	A-14
<b>Trailer Wiring</b> .....	A-20
Light Duty Trailer Wiring .....	A-20
Heavy Duty Trailer Wiring .....	A-21
Trailer Brake Jumper Harness .....	A-22
C/K Utility and Cab-Chassis .....	A-22
Light Duty to Heavy Duty Trailer Wiring Conversion .....	A-23
7-Way to 4-Way Trailer Adapter .....	A-23
Camper/Fifth-Wheel Trailer Wiring .....	A-23
<b>Exterior Lighting</b> .....	A-24
<b>ROOF MOUNTED BEACON / WRECKER PACKAGE / EMERGENCY LIGHT</b> .....	A-24
Roof-Mounted Beacon Lamp (RPO 5G4 & TRW) .....	A-25
Emergency Vehicle Lamp (SEO 5X7) .....	A-26
Body Builder Emergency Lamp (SEO 5Y0) .....	A-27
<b>COMBINED STOP / TURN TAIL LAMP CONVERSION</b> .....	A-28
Rear Chassis Wiring Harness Connector .....	A-28

# 2003 & BEYOND LIGHT DUTY C/K FULL-SIZE TRUCK ELECTRICAL

## SYSTEM OPERATION INSTRUCTIONS *(Continued)*

SNOWPLOW PREP PACKAGE (VYU) LIGHTING PROVISION .....	A-28
<b>Passlock Interface for Remote Start / Stop</b> .....	A-29
<b>Application Notes</b> .....	A-33
LED Turn Signals.....	A-33
Remote HVAC Compressor Operation.....	A-33

## ELECTRICAL COMPONENT LOCATIONS

Electrical Components Legend (Truck and Utility) .....	B-1
Power Distribution Centers.....	B-4
Underhood BEC.....	B-4
Mid BEC.....	B-8
Mid BEC Location .....	B-9
Left BEC.....	B-10
Right BEC .....	B-13
Ground Zones .....	B-14

## CONNECTOR AND PIN-OUT ILLUSTRATIONS

SEO Connector in Mid BEC – Connector C-8 .....	C-1
Trailer Brake Control Wiring Harness Connector in Mid BEC – Connector C-7 .....	C-2
Upfitter Connector in Mid BEC – no # designation .....	C-3
Mid BEC Connectors Location.....	C-4
LLY ('04 - '05) Engine Control Module (ECM) Connector C-1 .....	C-5
Connector C-2 .....	C-7
Connector C-3 .....	C-9
Location .....	C-11
LLY ('06) Engine Control Module (ECM) Connector C-1.....	C-12
Connector C-2.....	C-15
Location.....	C-17
LB7 Engine Control Module (ECM) Connector C-1 .....	C-18

# 2003 & BEYOND LIGHT DUTY C/K FULL-SIZE TRUCK ELECTRICAL

## CONNECTOR AND PIN-OUT ILLUSTRATIONS *(Continued)*

LB7 Engine Control Module (ECM) Connector C-2 .....	C-20
Powertrain Control Module (PCM) Connector C-1 .....	C-22
Connector C-2 .....	C-24
Engine Control Module (ECM) / Powertrain Control Module (PCM) Location.....	C-26
Power Take Off (PTO) Relay Connector .....	C-27
Relay Location .....	C-28
Switch Connector .....	C-29
Switch Connector Location .....	C-30
Interface Connector .....	C-31
Interface Connector Location.....	C-32
Rear Lamps – Junction Block Connector Rear Chassis Harness C-1 .....	C-33
Junction Block Connector Left Tail Lamp C-2 .....	C-34
Junction Block Connector License Plate C-3 .....	C-35
Junction Block Connector Right Tail Lamp C-4 .....	C-36
Rear Lamps – Junction Block Location .....	C-37
Trailer Connector.....	C-38
Trailer Connector Location .....	C-39

## SUBSYSTEM ELECTRICAL SCHEMATICS

Power Distribution: Gas .....	D-1
Diesel.....	D-20
Ground Distribution.....	D-35
Auxiliary Battery .....	D-52
Engine Controls: L18 – 8.1L Gas.....	D-53
GEN 3 PCM.....	D-65
LU3 – 4.3L V6 .....	D-81
LB7 – 6.6L Diesel .....	D-93
LLY – 6.6L Diesel .....	D-105

# 2003 & BEYOND LIGHT DUTY C/K FULL-SIZE TRUCK ELECTRICAL

## SUBSYSTEM ELECTRICAL SCHEMATICS (Continued)

Electronic Throttle Control .....	D-118
Fuel Sender/Pump: Gas (03/43/53/706).....	D-122
Gas (L59) .....	D-124
Gas (906/36) .....	D-125
Diesel .....	D-127
Power Take Off Provisions (L18/LB7) .....	D-128
LCT Transmission (L18/LB7/M74).....	D-130
LCT Transmission (L18/LLY/M74) .....	D-132
Starting and Charging: Gas .....	D-134
Starting and Charging: Diesel-Dual Gen .....	D-137
Cruise Control .....	D-139
Serial Data: Data Link Connector (DLC).....	D-140
Serial Data Link (Class II) .....	D-141
Instrument Panel Cluster .....	D-145
Headlamps: Non Z75.....	D-147
Z75.....	D-149
Ambient Light / Solar Sensor .....	D-151
Daytime Running Lamps (Domestic/Middle East).....	D-152
Front Fog Lamp .....	D-153
Exterior Lighting: Domestic / Middle East.....	D-154
Wrecker Package (SEO).....	D-164
Roof Mounted Beacon .....	D-165
Emergency Light.....	D-166
Wrecker Light Bar SW (SEO) .....	D-167
Backup Lamps.....	D-168
Interior Lighting (Pickup) .....	D-170
Cargo Lamp SW (Pickup) .....	D-173

# 2003 & BEYOND LIGHT DUTY C/K FULL-SIZE TRUCK ELECTRICAL

## SUBSYSTEM ELECTRICAL SCHEMATICS *(Continued)*

Dimming Control: w/o Y91 .....	D-174
w/ Y91 .....	D-176
Compartment Lamps.....	D-178
Trailer and Camper Wiring .....	D-179
Power Door Locks: Base (w/o DDM/PDM) .....	D-182
Uplevel (w/ DDM/PDM) .....	D-187
Theft Deterrent Content .....	D-191
Brake Trans Shift Interlock (BTSI).....	D-194
Seats (Driver and Passenger) .....	D-195
Mobile Radio .....	D-205
Truck Body Computer 2.2 (TBC): Base (w/o DDM/PDM) .....	D-206
Uplevel (w/ DDM/PDM) .....	D-210
Driver Door Module.....	D-214
Passenger Door Module .....	D-217

## ***System Operating Instructions***

### ***Power Take Off (PTO)***

#### **OUTLINE**

- A. PTO Overview
- B. PTO Information
  - PTO Control Switch
- C. PTO Preset Mode
- D. PTO Variable Mode
- E. High Idle Procedure for 2500HD & 3500 Series Trucks with 8.1L (L18) Gas Engine
- F. High Idle Procedure for 2500HD & 3500 Series Trucks with 6.6L (LB7) Diesel Engine
- G. Fast Idle Switch Installation on 8.1L (L18) Gas & 6.6L (LB7) Diesel Engine
- H. PTO Programming Guide



## A. PTO OVERVIEW

### Power Take Off (PTO)

Power Take Off (PTO) provisions have been provided as standard content on the C/K 3600 Cab-Chassis trucks with the 8.1L (L18) gas engine and 6.6L Duramax Diesel (LB7) engine. These provisions are included in two forced RPO's, M1F and PTO. **The M1F and PTO options are not available on C/K 3600 Cab-Chassis trucks with the 6.0L (LQ4) engine. M1F and PTO are not available options on C/K 2500HD and 3500 models.**

### High Idle

High Idle is available when a PTO device is not utilized but increased engine speed is required. The Preset and Variable Mode controls operate in the same manner as the PTO controls. **Wiring provisions for in-cab PTO Control Switch is provided in most of the Light Duty Trucks with the 8.1L (L18) gas or 6.6L (LB7) diesel engines only.**

### Fast Idle

Fast Idle provides an elevated engine speed control to one setting. It is not to be used if any type of hydraulic application is intended. Fast Idle requires hardwiring into the powertrain control module and the use of a momentary type switch.

## B. PTO INFORMATION

### RPO – M1F Option

RPO – M1F is a forced option, on C/K 3600 trucks with L18 or LB7 engines, which provides PTO mounting space for transmission mounted PTO's. PTO mounting space is for the right hand side of the transmission.

RPO – M1F includes the following:

- Revised Underbody Structure (RH side)
- Unique Front Floor Cover Panel (RH side) contoured to allow for PTO mounting.

### RPO – PTO Option

RPO – PTO is a forced option, on C/K 3600 trucks with L18 or LB7 engines, which provides engine speed and PTO engagement controls.

*(continued on next page)*

## *(B. PTO INFORMATION – continued from previous page)*

RPO – PTO includes the following:

- PTO control software is in the Powertrain Control Module (PCM) on the gas engine and in the Engine Control Module (ECM) on the diesel engine.
- Wiring provisions for in-cab PTO Control Switch
- Upfitter PTO Interface Connector which is located at the left side of the transmission. This connector provides access to PTO engage, feedback, engine shut down circuits as well as remote access to PTO SET switch.

### **GM Approved PTO Kits**

Two North American PTO suppliers, Chelsea Auxiliary Power Products and Muncie Power Products offer the PTO installation kits. The kits are designed specifically for the C/K 3600 trucks. The PTO kits in addition to normal PTO content include plumbing, heat shields, PTO control switch and PTO interface wiring harness. Both PTO suppliers offer PTO kits to accommodate both the Allison 1000 automatic transmission and the ZF 6-speed manual transmission. **GM recommends that these kits be used for PTO installations on the C/K 3600 Cab-Chassis.**

### **PTO Accessory Kit**

GM Service Parts Organization offers a PTO Accessory Kit (**Part Number 12497678**) that contains the PTO control switch and PTO interface wiring harness. The PTO accessory kit is required when PTO/High Idle speed control is desired but the PTO supplier kits are not utilized. The PTO accessory kit is available from your local GM dealer.

The following parts are included in the PTO Accessory Kit:

- PTO control switch.
- Instruction sheet.
- PTO interface wiring harness. (Includes a mating connector to the PTO Interface Connector and approximately three feet of blunt cut wires)

**NOTE: The PTO accessory kit can only be installed on GM Light Duty Trucks with the 8.1L (L18) gas or 6.6L (LB7) diesel engines. Wiring provisions for in-cab PTO Control Switch is provided in most of the Light Duty Trucks with the 8.1L (L18) gas or 6.6L (LB7) diesel engines only.**

*(continued on next page)*

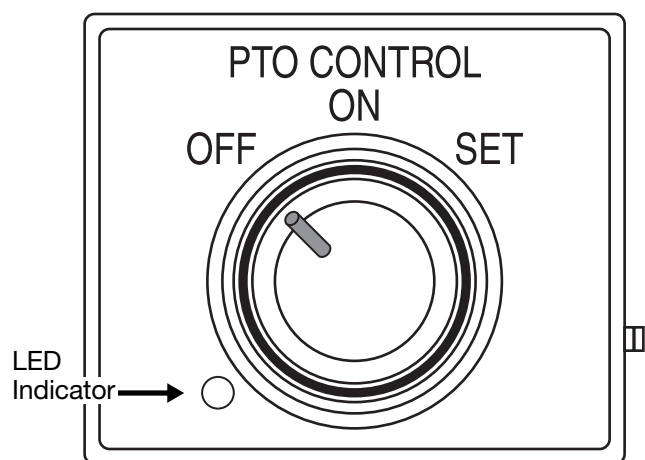
*(B. PTO INFORMATION – continued from previous page)*

## PTO Control Switch

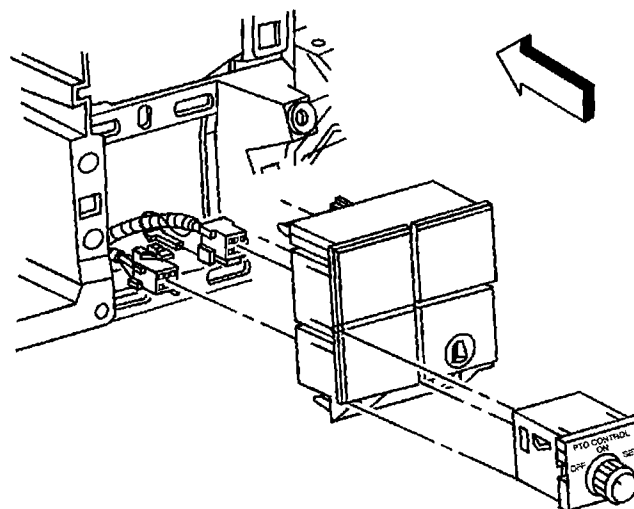
The PTO option includes a provision for a dash mounted PTO control switch. This switch is supplied with the Chelsea and Muncie PTO kits mentioned above or it can be purchased as part of the PTO accessory kit.

The PTO control switch has three positions:

- OFF
- ON
- SET – (spring loaded)



**PTO Control Switch**



**Typical Installation**

Additional PTO control is available if the vehicle is equipped with Cruise Control. The Cruise Control stalk controls the following PTO functions:

- PTO SET Speed
- PTO RESUME Speed

*(continued on next page)*

*(B. PTO INFORMATION – continued from previous page)*

## **PTO Interface Connector**

A PTO interface connector is located on a bracket attached on the left-hand side of the transmission above the left-hand side PTO opening. The PTO interface connector provides access to the following circuits for remote PTO operation:

- PTO Engine Shut Down (Light Blue)
- PTO Remote Enable Switch (Light Green).
- Ground (Black)
- PTO Feedback (Yellow)
- PTO Relay Switch Control (White)
- Cruise Control SET Switch Input (Dark Blue)

## **PTO Operating Speed Control**

Two PTO operating speed control modes are available with the 8.1L (L18) gas and 6.6L (LB7) diesel engines. The PCM/ECM may be programmed to one of the following modes:

- Preset – Up to two preset PTO operating speeds. (requires Cruise Control)
- Variable – Allows variable PTO speeds while vehicle is stationary or moving. (requires Cruise Control)

## **PTO Engagement**

PTO engagement is controlled through the use of the in-cab PTO Control Switch. When PTO engagement is desired, the user selects the ON position. The PCM/ECM then activates the PTO relay, once proper operating criteria are met. The fused PTO relay feed is accessible at the PTO Interface Connector discussed above.

## **PTO Engine Shutdown**

Provisions are included in the PTO Interface Connector to allow for engine shut down while in the PTO operation mode. This feature requires the installation of a normally closed ground switch that when opened will shut down the engine. This feature can only be activated with a Tech II diagnostic tool.

**NOTE: PTO Schematics are provided in the System Electrical Schematics section of the manual.**

## C. PTO – PRESET MODE (FACTORY DEFAULT SETTING)

PTO Preset speed control mode is used for stationary applications. This mode provides a default standby speed of 800 or 850 rpm (depending on the engine/transmission combination) and two PTO control speeds: PTO Set Speed of 1250 rpm, and PTO Resume Speed of 1700 rpm. Please note that the standby speed (800/850 rpm) is not to be used as a PTO control speed. Vehicles that are not equipped with cruise control will not have the resume speed capability.

PROGRAMMABLE PARAMETERS	FACTORY SETTING (RPM)	MINIMUM VALUE (RPM)	MAXIMUM VALUE (RPM)
PTO Max Engine Speed	2200	L18-2100 LB7-950	L18-4200 LB7-3100
PTO Standby RPM	Auto/Manual L18-800/850 LB7-800/800	Normal engine idle will override if higher than requested PTO base idle	1300
PTO Set Speed	1250	PTO Standby Speed	PTO Max Engine Speed Setting
PTO Resume Speed	1700	PTO Set Speed	PTO Max Engine Speed Setting
PTO Max Engage Speed	1000	950	PTO Max Engine Speed Setting

### ***PTO Preset Mode Function Chart***

The following chart shows how to toggle between the two PTO speeds through the Cruise SET and RES switches.

PRESENT PTO STATE	PRESSING	RESULTING PTO STATE
PTO Standby Speed	SET	PTO Set Speed
PTO Standby Speed	RES	PTO Resume Speed
PTO Set Speed	SET	PTO Standby Speed
PTO Set Speed	RES	PTO Resume Speed
PTO Resume Speed*	SET	PTO Set Speed
PTO Resume Speed	RES	PTO Standby Speed

\*On L18 Gasoline Engines, PTO Set must be selected prior to requesting PTO Resume Speed.

*(continued on next page)*

*(C. PTO – PRESET MODE – continued from previous page)*

## **PTO Engage Conditions for PTO Preset Mode**

To engage the PTO, the following conditions must be met.

- Engine must be running.
- Transmission must be in PARK or NEUTRAL.
- Park Brake must be set for Manual Transmission only.
- Vehicle speed must be zero.
- Brake or Clutch must not be depressed.

## **Procedure for Engaging PTO with Manual Transmission**

1. Set parking brake.
2. Shift the transmission into NEUTRAL (N).
3. Turn the PTO switch to the **ON** position. The engine speed will increase to the PTO Standby Speed. The PTO is engaged when the LED on the PTO control switch changes from blinking to steady state.
4. Press either the **SET** or **RESUME** switch on the cruise control or turn the PTO switch to the **SET** position. The engine speed will jump to the PTO SET or RESUME speeds.

## **Procedure for Engaging PTO with Automatic Transmission**

1. Shift the transmission into Park (P).
2. Turn the PTO switch to the **ON** position. The engine speed will increase to the PTO Standby Speed. The PTO is engaged when the LED on the PTO control switch changes from blinking to steady state.
3. Press either the **SET** or **RESUME** switch on the cruise control or turn the PTO switch to the **SET** position. The engine speed will jump to the PTO SET or RESUME speeds.

**Torque Converter Clutch (TCC) lockup is not available in Neutral. TCC lockup is available in Park with engine RPM above 1100 RPM.**

**NOTE:** If any input from the brake pedal or clutch pedal is detected, PTO operation will be interrupted. For L18 gasoline engine, the standby speed will be again established only after a toggle of the control switch to the **SET** position. For the LB7 diesel engine, the standby speed will be established with the release of the brake pedal or clutch pedal.

## D. PTO – VARIABLE MODE

PTO variable speed control mode can be used for both stationary and mobile applications. This mode allows PTO to be controlled in a fashion similar to which cruise control controls vehicle speed. The operator is able to hold an engine RPM (between 800 and 2200) with the **SET** switch on the cruise stalk or the PTO switch. The operator can “tap up” to increase engine speed in 100 rpm increments with the **RESUME** switch on the cruise stalk or “tap down” to decrease engine speed with either **SET** switch (on the cruise stalk or the PTO switch). Vehicles not equipped with cruise control will not have the “tap up & tap down” capability.

PROGRAMMABLE PARAMETERS	FACTORY SETTING (RPM)	MINIMUM VALUE (RPM)	MAXIMUM VALUE (RPM)
PTO Max Engine Speed	2200 RPM	L18-2100 LB7-950	L18-4200 LB7-3100
PTO Standby RPM	AUTO/MANUAL L18-800/850 LB7-800/800	L18-650 LB7-600 Normal engine idle will override if higher than requested PTO Base Idle	1300
PTO Max Engage Speed	1000	950	PTO Max Engine Speed

### PTO - Variable Mode Function Chart

SWITCH	SET	RESUME (w/Cruise Only)
PRESSED ONCE	Engine speed will decrease by 100-RPM decrements and will maintain new engine speed value. Engine speed can be decreased down to PTO standby RPM speed value, all further <b>SET</b> inputs will be ignored	Engine speed will increase by 100-RPM increments and will maintain new engine speed value. Engine speed can be increased up to the PTO max engine speed value, all further <b>RESUME</b> inputs will be ignored
HELD	Decelerates engine speed down to the PTO standby PTO standby speed value.	Increases engine speed up to the PTO max engine speed value

*(continued on next page)*

*(D. PTO – VARIABLE MODE – continued from previous page)*

**PTO Speed Control in Variable Mode (while Mobile):**

1. Vehicle speed greater than 5 mph.
2. Foot off brake pedal (and/or off clutch for manual transmission).
3. Turn the PTO switch to the **ON** position. The engine speed will increase to the PTO Standby Speed. The PTO is engaged when the LED on the PTO control switch changes from blinking to steady state.
4. Obtain the desired engine speed with gas pedal and pressing **SET** on the PTO switch or the cruise stock.
5. The **SET** and **RESUME** switches can then be used to adjust the engine speed in 100-RPM increments.

**Using PTO Speed Control in Variable Mode (while Stationary):**

1. Vehicle speed must be zero.
2. Foot off brake pedal and/or off clutch for manual transmission.
3. Turn the PTO switch to the **ON** position. The engine speed will increase to the PTO Standby Speed. The PTO is engaged when the LED on the PTO control switch changes from blinking to steady state.
4. Obtain the desired engine speed with gas pedal and pressing **SET** on the PTO switch or the cruise stock.
5. The **SET** and **RESUME** switches can then be used to adjust the engine speed in 100-RPM increments.

**NOTE:** If any input from the brake pedal or clutch pedal is detected, PTO operation will be interrupted. PTO Variable mode may be re-enabled by pressing the **RESUME** switch. Engine speed will increase to the speed prior to disabling.

## **E. HIGH IDLE PROCEDURE FOR 2500HD & 3500 SERIES TRUCKS WITH 8.1L (L18) GAS ENGINE**

High Idle can be obtained by using the 8-pin PTO connector behind the dash and the PTO accessory kit. The PTO connector can be found behind the passenger air bag defeat switch. It should be taped to the IP harness directly behind the passenger air bag defeat switch. Mount the PTO switch next to the passenger air bag defeat switch.

**The PTO interface wiring harness included with the PTO Kit is not needed unless a requirement for remote operation is desired.**

Connect the Tech 2 scan tool and reprogram the Powertrain Control Module (PCM). See the PTO Programming Guide section for instructions on how to reprogram the PCM.

*(continued on next page)*



*(E. HIGH IDLE PROCEDURE – continued from previous page)*

Remember to program to either the Preset PTO or Variable PTO Mode when using the PTO switch.

The changes that need to be made are as follows:

<b>PTO Max Engine Speed</b>	<b>2200 RPM</b>
<b>PTO Standby Speed</b>	<b>800 RPM</b>
<b>PTO Set Speed</b>	<b>1250 RPM</b>
<b>PTO Resume Speed</b>	<b>1700 RPM</b>
<b>PTO Max Engage Speed</b>	<b>1000 RPM</b>
<b>PTO Shutdown</b>	<b>NO</b>
<b>PTO Engage Relay</b>	<b>NO</b>
<b>PTO Feedback</b>	<b>NO</b>

**NOTE: If the reprogramming of the PCM is not performed, the High Idle function will not work.**

To engage the High Idle, put the truck in PARK or NEUTRAL, set the Park Brake (Manual Transmission only) and turn the switch to the ON position. Move the PTO switch to the SET position or press the SET switch on the cruise control if equipped. The SET input ramps up the engine speed to 1250 RPM. By pressing the cruise control RES/ACC switch the engine speed will increase to the PTO resume speed setting and any SET input will decrease the engine speed to the PTO set speed setting.

If the truck does not have the cruise control option, only the PTO SET speed is available. The PTO/High Idle settings can only be changed with a Tech 2 scan tool. The Tech 2 scan tool can be purchased from GM by calling 1-800-GM-TOOLS.

**The PTO accessory kit is available from your local GM dealer.**

**If any problems should arise, check and clear any DTC's with a Tech 2 and make sure that the brake switch and tail lamps are functioning correctly.**

**NOTE: In certain cases the PTO wiring and connector will not be installed behind the passenger side air bag switch. If this is the case, the system will need to be hardwired into the PCM and a switch or switches (no cruise control) will need to be used. Please call the Upfitter Integration Hotline at (800) 875-4742 for more information.**

## F. HIGH IDLE PROCEDURE FOR 2500HD & 3500 SERIES TRUCKS WITH 6.6L (LB7) DIESEL ENGINE

High Idle can be obtained by using the 8-pin PTO connector behind the dash and the PTO accessory kit. The PTO connector can be found behind the passenger air bag defeat switch. It should be taped to the IP harness directly behind the passenger air bag defeat switch. Mount the PTO switch next to the passenger air bag defeat switch.

**The PTO interface wiring harness included with the PTO Kit is not needed unless a requirement for remote operation is desired.**

Connect the Tech 2 scan tool and reprogram the Engine Control Module (ECM). See the PTO Programming Guide section for instructions on how to reprogram the ECM.

**Remember to program to either the Preset PTO or Variable PTO Mode when using the PTO switch. When the PTO settings are initially read, the Tech 2 will show values of 6375 rpm. Select the change options menu and continue with the programming of the ECM.**

The changes that need to be made are as follows:

<b>PTO Max Engine Speed</b>	<b>2200 RPM</b>
<b>PTO Standby Speed</b>	<b>800 RPM</b>
<b>PTO Set Speed</b>	<b>1250 RPM</b>
<b>PTO Resume Speed</b>	<b>1700 RPM</b>
<b>PTO Max Engage Speed</b>	<b>1000 RPM</b>
<b>PTO Shutdown</b>	<b>NO</b>
<b>PTO Engage Relay</b>	<b>NO</b>
<b>PTO Feedback</b>	<b>NO</b>

**NOTE: If the reprogramming of the ECM is not performed, the High Idle function will not work.**

To engage the High Idle, put the truck in PARK or NEUTRAL, set the Park Brake (Manual Transmission only) and turn the switch to the ON position. Move the PTO switch to the SET position or press the SET switch on the cruise control if equipped. The SET input ramps up the engine speed to 1250 RPM. By pressing the cruise control RES/ACC switch the engine speed will increase to the PTO resume speed setting and any SET input will decrease the engine speed to the PTO set speed setting.

If the truck does not have the cruise control option, only the PTO SET speed is available. The PTO/High Idle settings can only be changed with a Tech 2 scan tool. The Tech 2 scan tool can be purchased from GM by calling 1-800-GM-TOOLS.

*(continued on next page)*

(F. HIGH IDLE PROCEDURE — continued from previous page)

The PTO accessory kit is available from your local GM dealer.

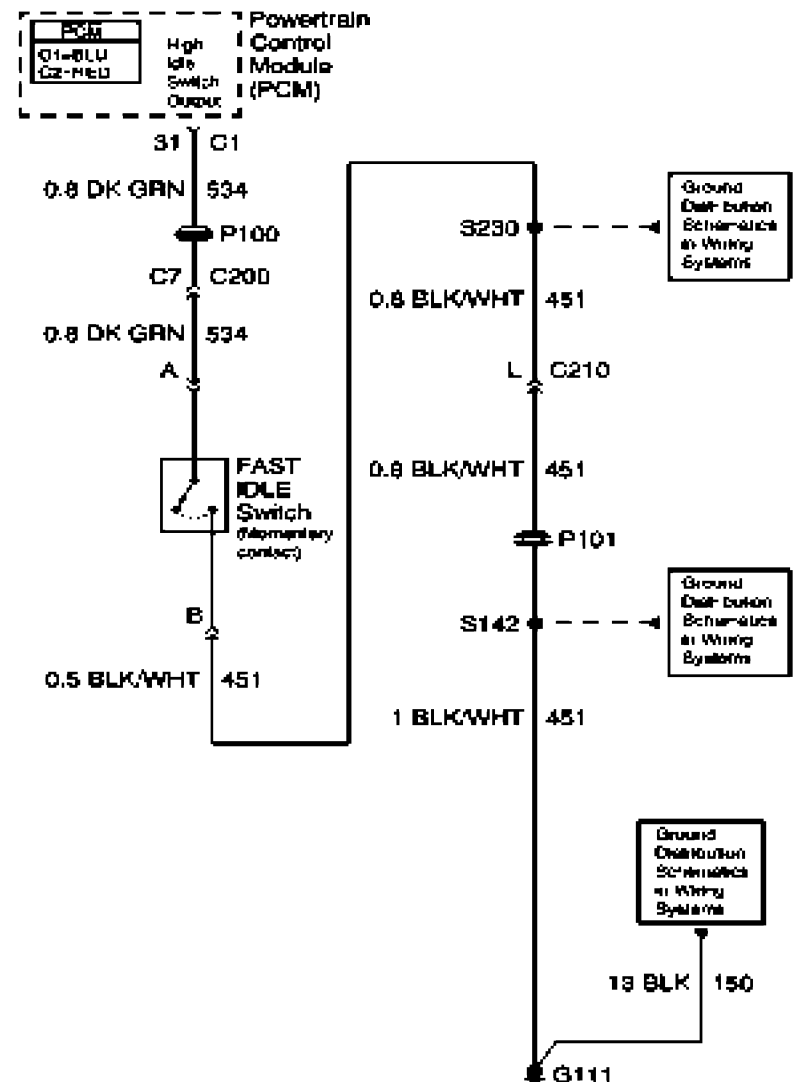
If any problems should arise, check and clear any DTC's with a Tech 2 and make sure that the brake switch and tail lamps are functioning correctly.

**NOTE:** In certain cases the PTO wiring and connector will not be installed behind the passenger side air bag switch. If this is the case, the system will need to be hardwired into the ECM and a switch or switches (no cruise control) will need to be used. Please call the Upfitter Integration Hotline at (800) 875-4742 for more information.

## G. FAST IDLE SWITCH INSTALLATION ON 8.1L (L18) GAS ENGINE & 6.6L (LB7) DIESEL ENGINE

**NOTE:** The fast idle switch input pin is available on GM trucks with the 8.1L (L18) gas & 6.6L (LB7) Diesel Engines.

**NOTE:** The use of the fast idle switch is not recommended if any type of hydraulic application is intended.



(continued on next page)

*(G. FAST IDLE SWITCH INSTALLATION – continued from previous page)*

**Procedure for Fast Idle Operation on 8.1 Liter (L18) Gas Engine**

1. Reprogram the PCM using Tech 2. See the PTO Programming Guide section for instructions on how to get to the PTO programming screen.
  - a. Reprogram to the **Fast Idle Mode** by pressing the Change Options Key and selecting **PTO Fast Idle Mode**.
  - b. Scroll down and change the **PTO Feedback and PTO Engage Relay** settings to **NO**.
  - c. If more than 1250 RPM is required, change the **PTO Standby Speed** setting.
2. Follow the schematic above and hardwire into Pin 31 of the Blue connector in the PCM/ECM.
  - a. By momentarily grounding Pin 31 the engine idle will increase to the PTO Standby Speed Setting.
  - b. Momentarily grounding Pin 31 again will cancel the fast idle operation and return the engine to base engine idle speed.

**Procedure for Fast Idle Operation on 6.6 Liter (LB7) Duramax Diesel Engine.**

Reprogram the ECM using the Tech 2. To get the Fast Idle Mode to show up on the Tech 2, select the **2003 Model year** and then select the **Medium Duty Truck** option on the next screen. **If any other year besides 2003 MY is selected, the Fast Idle option will not be available to use.** Select the **Engine and Transmission** on the vehicle. The Fast Idle option will now be available for programming. Follow the instructions from steps 1 & 2 above to complete the programming and installation of the switch. **Reference UI Bulletin # 63, Fast Idle Procedure for LB7 Engine** for more complete instructions.

**NOTE: If any problems should arise, check and clear any DTC's with a Tech 2 and make sure that the brake switch and tail lamps are functioning correctly.**

## H. PTO PROGRAMMING GUIDE

This section provides information on the procedure for programming the PCM/ECM for with the Tech 2 service diagnostic tool.

1. Connect the Tech 2 to the vehicle.
2. Select the **Diagnostics** option from the Main Menu.

Main Menu
<b>F0: Diagnostics</b>
F1: Service Programming System
F2: View Captured Data
F3: ...
F4: ...

3. Select the **Model Year** from the Vehicle ID menu.

Vehicle ID (Model Year)
(3) 2003
(2) 2002
(1) 2001
(Y) 2000

*(continued on next page)*

*(H. PTO PROGRAMMING GUIDE – continued from previous page)*

4. Select the **LD Truck, MPV, Incomplete** option from the Vehicle Identification menu.

Vehicle Identification
Passenger Car <b>LD Truck, MPV, Incomplete</b> Medium Duty Truck Saturn

5. Select the **Powertrain** Option from the System Selection Menu.

System Selection
200* LD Truck, MPV, Incomplete F0: Powertrain F1: Body F2: Chassis F3: Diagnostic Circuit Check

*(continued on next page)*

*(H. PTO PROGRAMMING GUIDE – continued from previous page)*

6. Select the **Engine type** from the Vehicle Identification menu.

Vehicle Identification Select one of the following LT Duty Truck Engine types
(1) V8 LB7 Diesel (G) V8 L18 (G) V8 L18 3500HD

7. Select the Transmission type from the Vehicle Identification menu.

Vehicle Identification Select one of the following Transmissions
5 Speed Automatic Trans (M74) 4 Speed Automatic Trans (MT1) Manual Trans (ML6) Other

*(continued on next page)*

*(H. PTO PROGRAMMING GUIDE – continued from previous page)*

8. Select the **Special Functions** option from the Powertrain menu.

Powertrain
F0: ... F1: Data Display <b>F2: Special Functions</b> F3: Snapshot F4: ...

9. Select the **PTO options** from the Special Functions menu

Special Features
F5: ... F6: Service Bay Test <b>F7: PTO Options</b> F8: Engine Shutdown F9: ...

*(continued on next page)*



*(H. PTO PROGRAMMING GUIDE – continued from previous page)*

10. The Current PTO settings screen will be displayed. Press the **Change Options** key and then select the desired PTO Operating Mode. Refer to pages 4-6 for PTO mode information.

PTO Option
F0: Fast Idle F1: Preset PTO Speed Control F2: Variable PTO Speed Control F3: ... F4: ...

11. Scroll through the Current PTO settings, make any necessary changes and press the reprogram options key when done to complete the programming. **The values shown below are the default settings.**

PTO	
<b>Current PTO Settings</b>	
PTO Fast Idle Option	Preset
PTO Max. Engine Speed	2200 RPM
PTO Standby Speed	800 RPM
PTO Set Speed	1250 RPM
PTO Resume Speed	1700 RPM
PTO Max. Engine Speed	1000 RPM
PTO Engine Shutdown	No
PTO Engage Relay	Yes
PTO Feedback	Yes

PTO Option	
<b>Current PTO Settings</b>	
PTO Fast Idle Option	Fast Idle
PTO Max. Engine Speed	2200 RPM
PTO Standby Speed	1250 RPM
PTO Max. Engine Speed	1000 RPM
PTO Engine Shutdown	No
PTO Engage Relay	No
PTO Feedback	No

*(continued on next page)*

*(H. PTO PROGRAMMING GUIDE – continued from previous page)*

12. The Current PTO settings screen will again be displayed. Make sure that the changes made are shown on this screen. If settings did not change, repeat the procedure. If settings are correct, power down the tech 2 and disconnect from the vehicle.

PTO	
Current PTO Settings	
PTO Fast Idle Option	Preset
PTO Max. Engine Speed	2200 RPM
PTO Standby Speed	800 RPM
PTO Set Speed	1250 RPM
PTO Resume Speed	1700 RPM
PTO Max. Engine Speed	1000 RPM
PTO Engine Shutdown	No
PTO Engage Relay	No
PTO Feedback	No

PTO Option	
Current PTO Settings	
PTO Fast Idle Option	Fast Idle
PTO Max. Engine Speed	2200 RPM
PTO Standby Speed	1250 RPM
PTO Max. Engine Speed	1000 RPM
PTO Engine Shutdown	No
PTO Engage Relay	No
PTO Feedback	No

## Trailer Wiring

C/K trucks are available with three trailer wiring configurations:

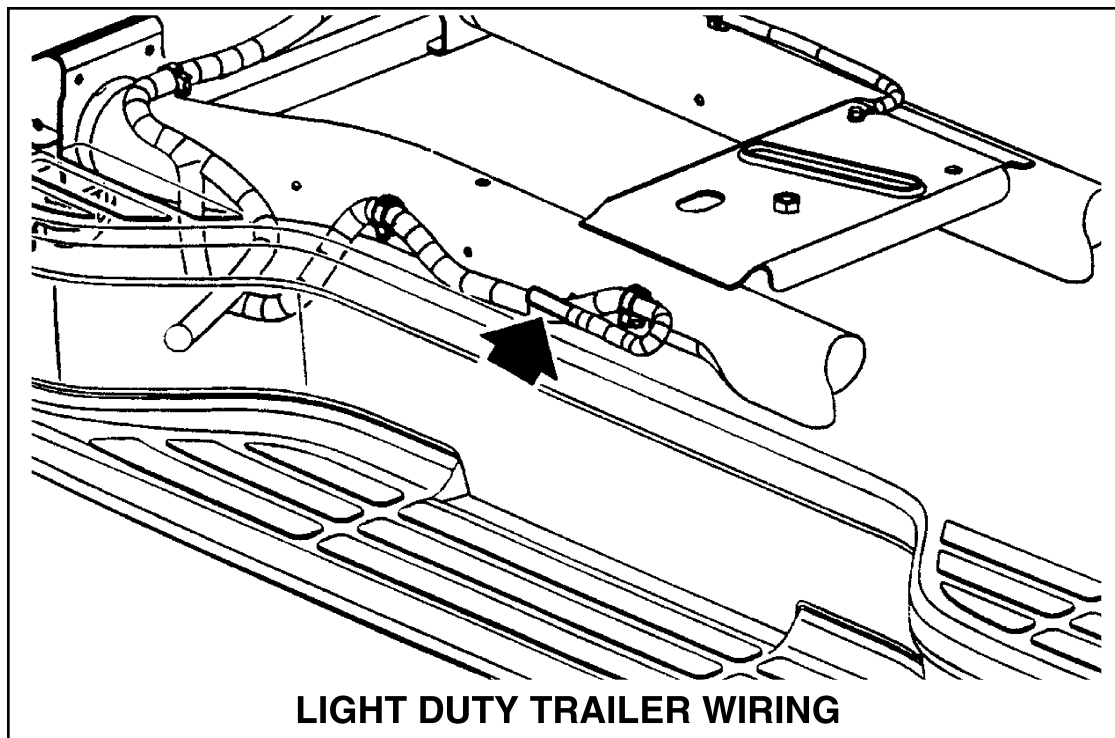
- Light duty trailer wiring is standard equipment on all models. The wiring consists of six blunt cut wires located at the rear of the truck
- Heavy duty trailering equipment package (**Option Z82**) includes a 7-way universal trailer connector that is mounted to the trailering hitch platform. This option also provides an instrument panel jumper wiring harness for electric trailer brake controller and a 7-way to 4-way trailer adapter
- Camper/Fifth Wheel trailer wiring package (**Option UY2**) is available on all pickups. This option provides an 8-way wiring harness that is located under the front left edge of the pickup box and added 7-way sealed connector for the trailer harness.

### Light Duty Trailer Wiring

Light duty trailer wiring consists of six blunt cut wires, which are located at the rear of the vehicle and tied to the frame. The six blunt cut wires consist of the following trailer circuits:

- Yellow: Left Stop/Turn Signal
- Dark Green: Right Stop/Turn Signal
- Brown: Tail lamps
- White: Ground
- Light Green: Backup Lamps
- Light Blue: Center High-Mounted Stop Lamp (CHMSL)

Light duty trailer wiring can be upgraded to heavy duty trailer wiring with a conversion kit, which is available from a GM dealer. Information on the conversion to heavy duty trailer wiring is covered in the following pages.



*(continued on next page)*

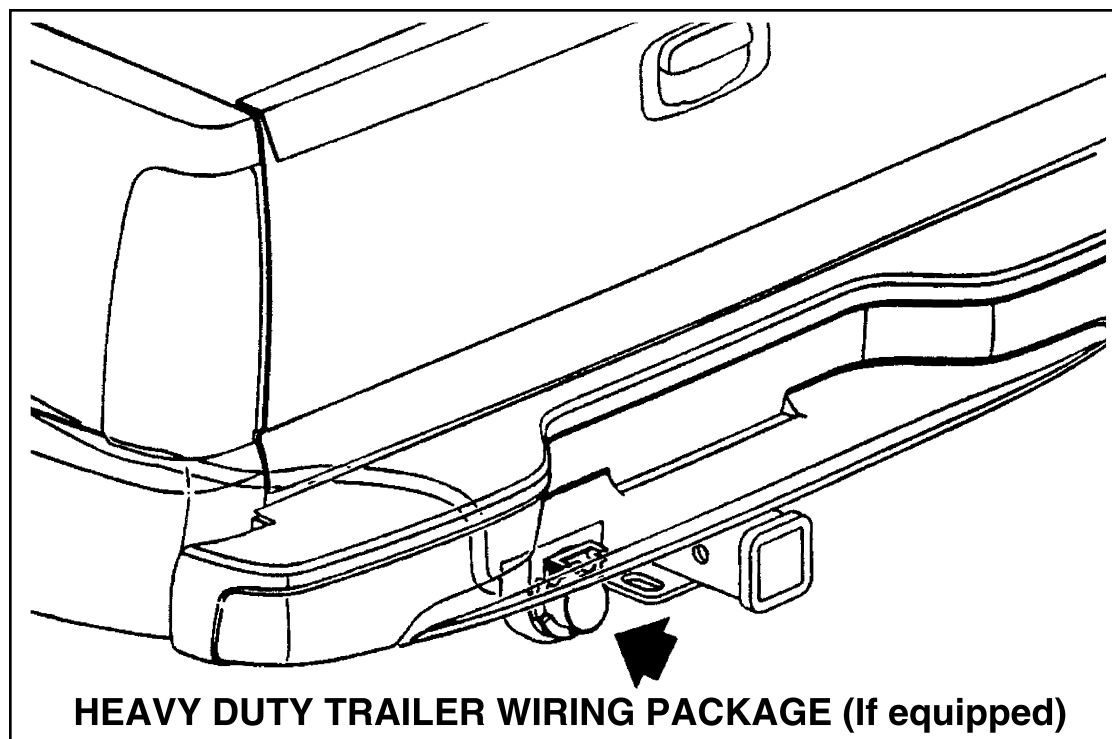
*(TRAILER WIRING – continued from previous page)*

## **Heavy Duty Trailer Wiring**

Heavy duty trailer wiring for C/K trucks is provided with the Z82 heavy duty trailer equipment package. This package includes a 7-way universal trailer tow connector (part #12191503), which is mounted to the trailer platform hitch. The universal trailer tow connector contains the circuits provided in the light duty trailer harness with the addition of the following circuits:

- Red: Battery Feed (12 gauge)
- Dark Blue: Trailer Brake (12 gauge)

The White ground lead is upgraded from 16 to 10 gauge wire.



There is also a Lt. Blue one-pin CHMSL connector provided on pickup and cab-chassis trucks. This connector is tied to the trailer harness and located just forward of the trailer connector. This connector is available for use with a trailer, slide in camper or cap.

*(continued on next page)*

*(TRAILER WIRING – continued from previous page)*

## Trailer Brake Jumper Harness

The heavy duty trailering equipment package also includes a trailer brake jumper harness (**part #15085418**) for an electric trailer brake controller. This jumper harness consists of approximately 8 feet of blunt cut wiring attached to a 6-way connector. The jumper harness interfaces with the TRLR receptacle (C7) on the Mid Bussed Electrical Center (MBEC). The trailer battery ring terminal on Stud #2 is fused with 30 Amp Maxi-Fuse. This circuit provides power to the MBEC TRLR connector inside the cab. The trailer brake jumper harness can be purchased from a GM dealer.

The trailer brake jumper harness contains the following circuits:

- A - Brown: Interior Park Lamp
- B - Red: Battery (Fused to 30 Amps)
- C - Dark Blue: Trailer Brake (to 7-way trailer connector)
- D - Light Blue: Trailer CHMSL (Brake Switch)
- E - Not Used
- F - Black: Ground

With the exception of the Dark Blue trailer brake circuit (pin C), these above circuits are active and available on trucks that are not equipped with the heavy duty trailer wiring. To access these circuits, the upfitter/body builder can purchase the mating connector (**part #12193924**) from Pioneer, the distributor for Packard, by calling 1-800-PACKARD.

The C/K trucks are shipped from the assembly plant with the trailer Battery Hot lead disconnected. To provide power to the trailer hot lead, the 40 Amp Maxi-Fuse must be connected at the Stud #1 location in the Underhood BEC.

## C/K Utility and Cab-Chassis

Heavy duty trailer wiring is provided on C/K Utility, Cab Chassis and pickups equipped with the Manual Selectable Ride Option (ZX3) that do not have the Z82 package or trailer platform hitch. The trailer wiring will be tied back to the rear cross member. **The trailer brake jumper harness is not included with the cab chassis models and must be purchased separately from a GM Dealer.**

*(continued on next page)*

*(TRAILER WIRING – continued from previous page)*

## Light Duty to Heavy Duty Trailer Wiring Conversion

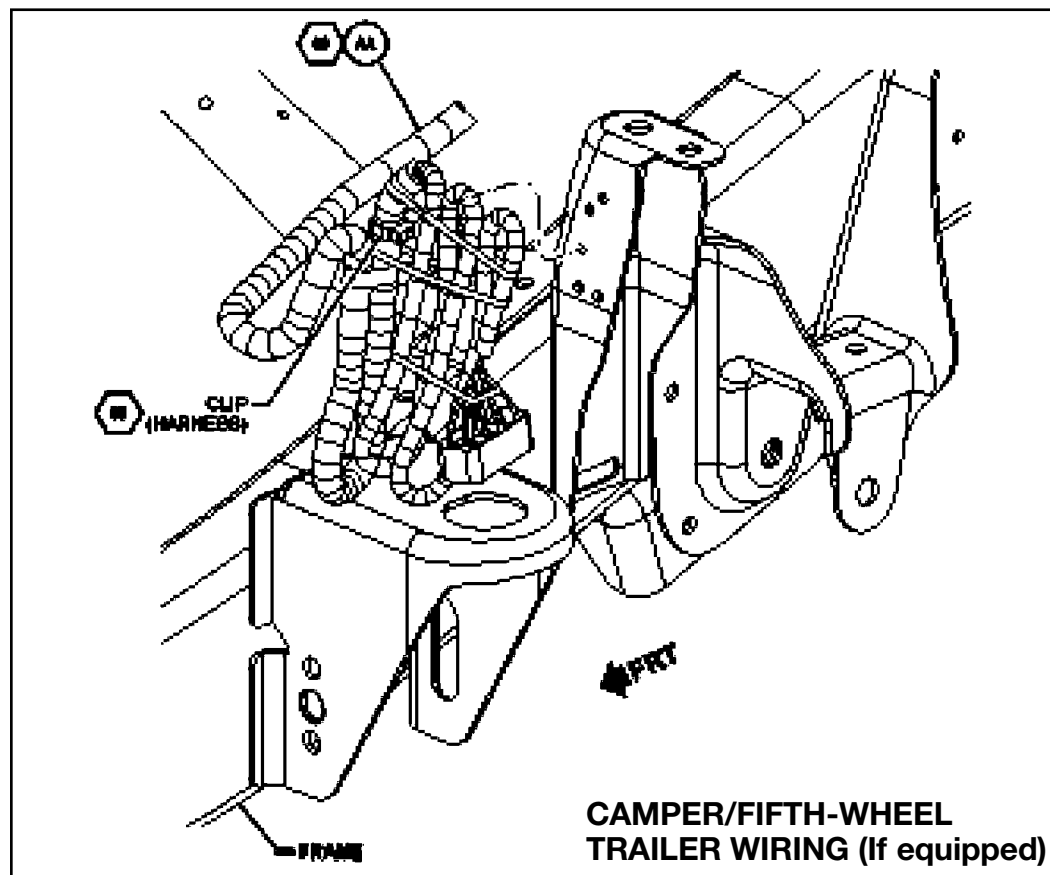
Trucks equipped with light duty trailer wiring can be upgraded to heavy duty trailer wiring. A wiring conversion kit (**part #12495932**) is available and can be purchased from a GM dealer. The conversion kit consists of an underbody harness (**part #12463530**) with a 7-way universal trailer tow connector and instruction sheet (**part #12463639**). The Trailer Brake Jumper Harness is not included in the conversion kit.

## 7-Way to 4-Way Trailer Adapter

A 7-way to 4-way trailer adapter (**part #12496599**) allows trucks with the heavy duty trailer wiring to be compatible with four-way trailer connectors. The 7-way to 4-way trailer adapter is included with the Z82 package. The 7-way to 4-way trailer adapter can be purchased from a GM dealer.

## Camper/Fifth-Wheel Trailer Wiring

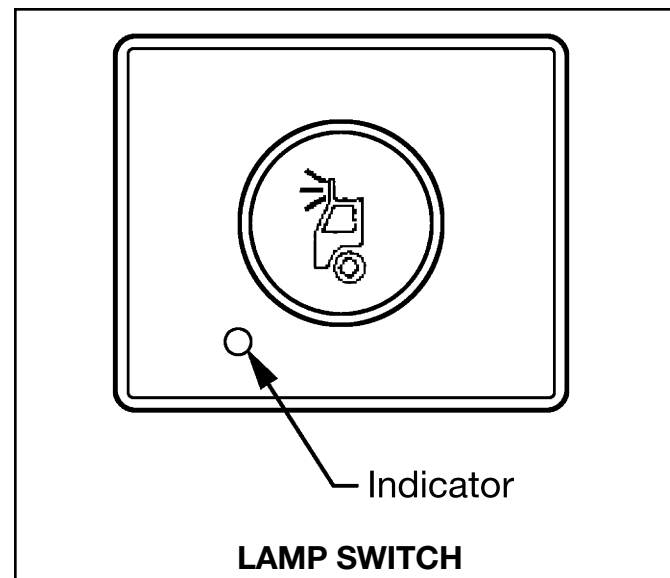
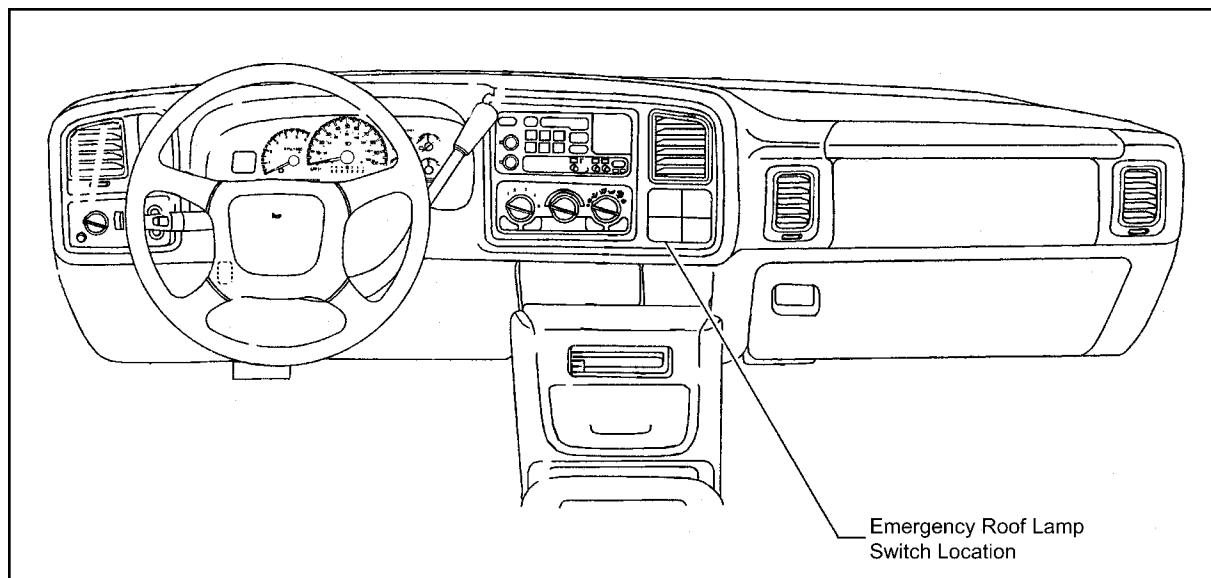
The Camper/Fifth Wheel trailer wiring is available as option UY2 on 1500 /2500/2500HD/3500 series pickup trucks. It includes additional 8-way wiring harness routed to the front of pickup box and added 7-way sealed connector for the trailer harness. At that point, approximately four feet of blunt cut wire is available which can be extended up to a camper by routing it between the pickup box and cab. There are two holes in the front of the pickup box provided for retaining clips to retain that wiring. The Camper/Fifth-Wheel harness utilizes the same circuitry as the heavy duty trailer wiring.



## Exterior Lighting

### A. ROOF-MOUNTED BEACONS AND EMERGENCY LAMPS

Activation of an in-cab switch provides power for an external lamp load through a relay. Consult your owners manual supplement for installation instructions. A common switch is used in all cases.



Three variations are available based on power requirements and relay and wiring location.

- **Roof-Mounted Beacon Lamp** – 30 A circuit, Interior Relay, Wiring from relay ends with Blunt Cuts in roof.
- **Emergency Vehicle Lamp** – 40 A circuit, Exterior Relay, Upfitter provides own wiring to relay.
- **Body Builder Emergency Lamp** – 30 A circuit, Under Hood Relay, Wiring from relay ends with Blunt Cuts in back of cab.

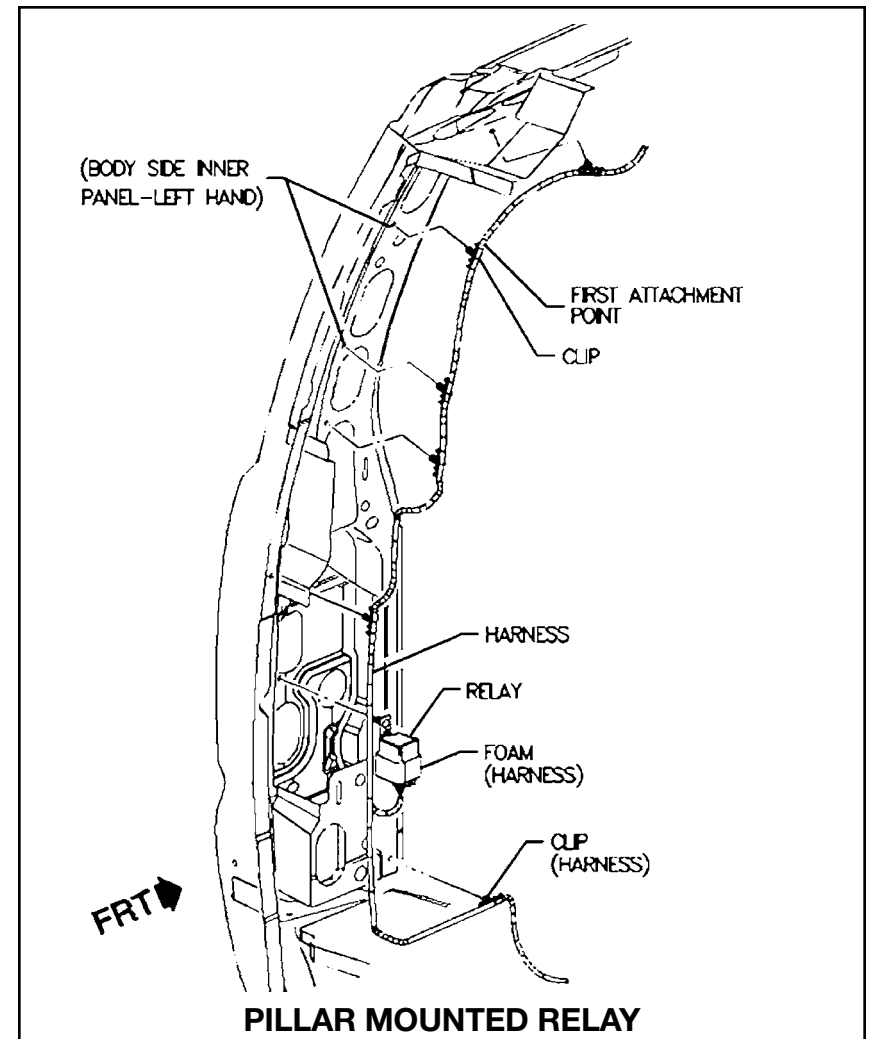
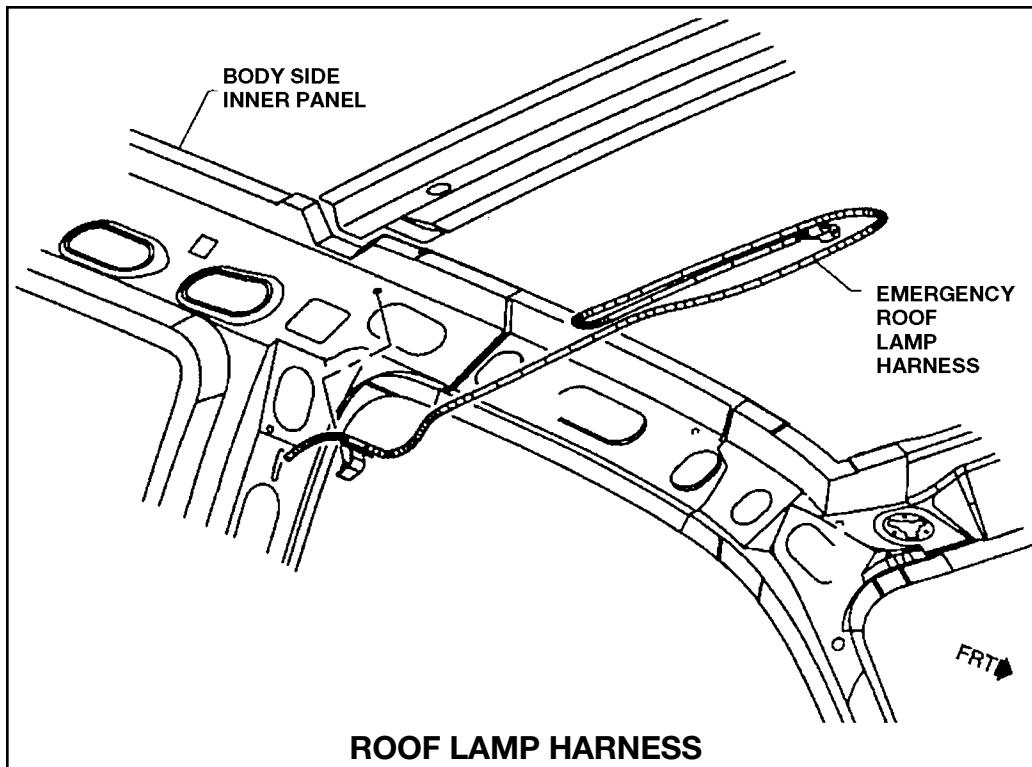
*(continued on next page)*

(A. ROOF-MOUNTED BEACONS – continued from previous page)

## Roof-Mounted Beacon Lamp (RPO 5G4 & TRW)

This Regular Production Option (RPO) includes wiring provisions for a roof-mounted beacon lamp. Power is controlled through an auxiliary lamp switch located in the dash, a relay mounted in the left B-Pillar and wiring which is routed up along the Left Hand B-pillar that terminates at the roof as coiled blunt cut wires. There are two blunt cut wires, one is Brown (roof-mounted lamp power) and the other is Black (ground). The Brown power wire is protected by the 30-Amp SEO 2 fuse which is located in the Underhood Electrical Center. The maximum rated electrical load is 21-Amps (250 watts). The added electrical equipment must not exceed 21-Amps (250 watts). Running this accessory for long periods of time with the engine off may run the battery down and cause a no-start condition.

The **TRW** option is included with the VYU Snowplow prep package. The **5G4** option is available if the snowplow prep package is not ordered, but a beacon lamp is needed.



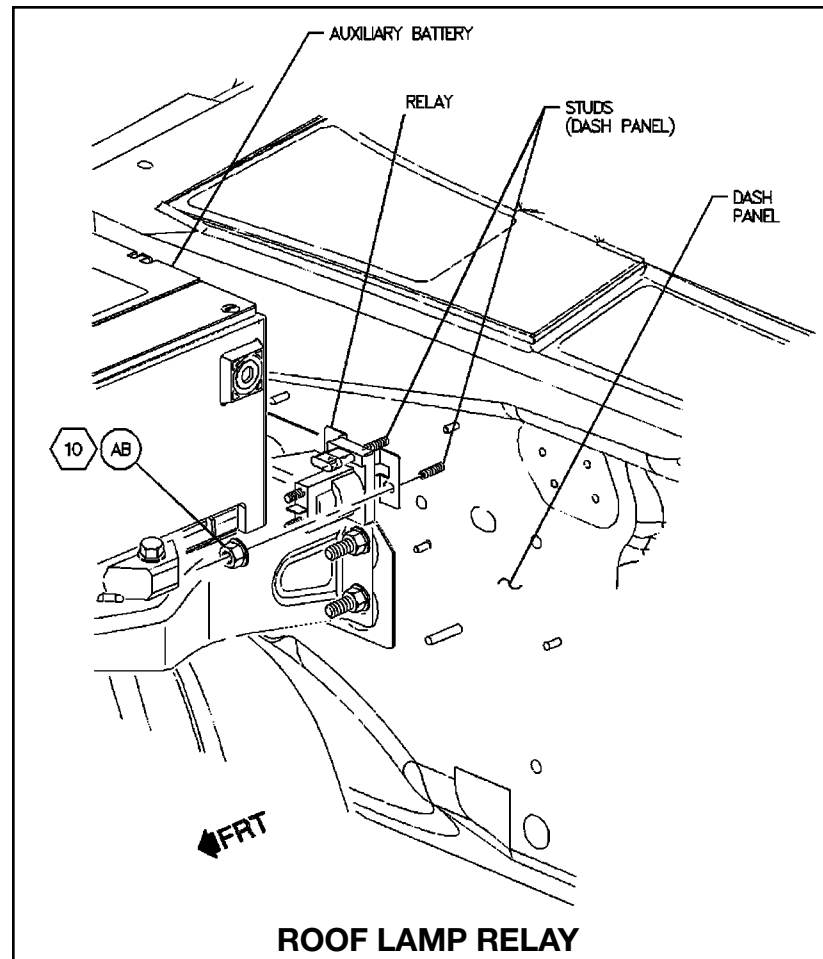
(continued on next page)



(A. ROOF-MOUNTED BEACONS — continued from previous page)

## Emergency Vehicle Lamp (SEO 5X7)

This Specialty Equipment Option (SEO) includes wiring provisions for an emergency vehicle lamp. Power is controlled through an auxiliary lamp switch located in the dash and wired to a relay. The relay is mounted underhood on the passenger side upper dash panel. Wiring is to be completed from the relay to the additional electrical equipment. The maximum rated electrical load is 40-Amps (480 watts). The added electrical equipment must not exceed 40-Amps (480 watts). The auxiliary lamp switch with this option will operate at all times regardless of the ignition switch position. Running this accessory for long periods of time with the engine off may run the battery down and cause a no-start condition.

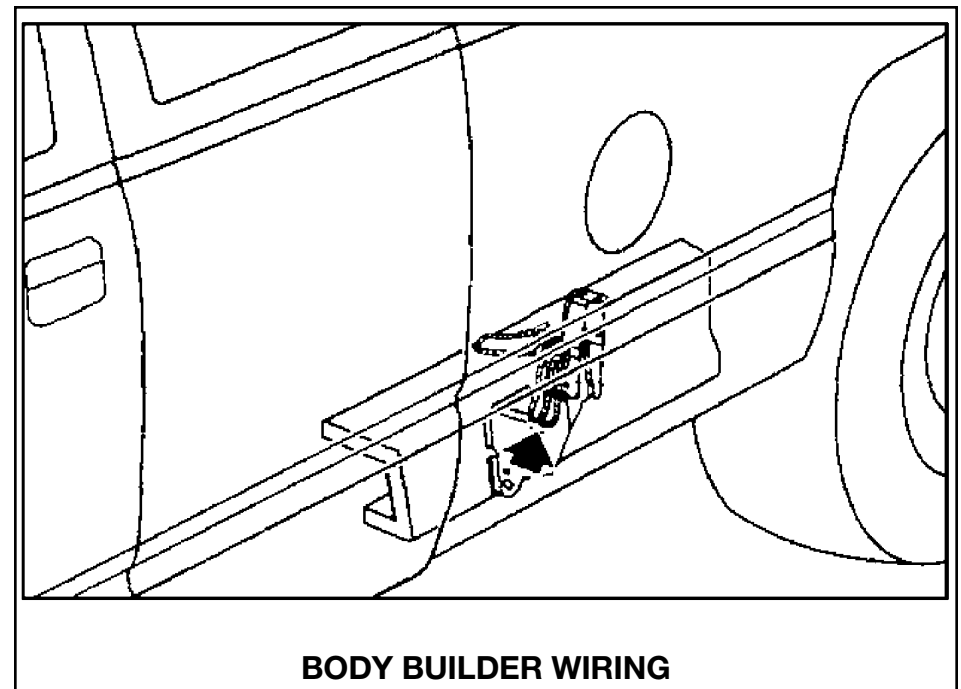
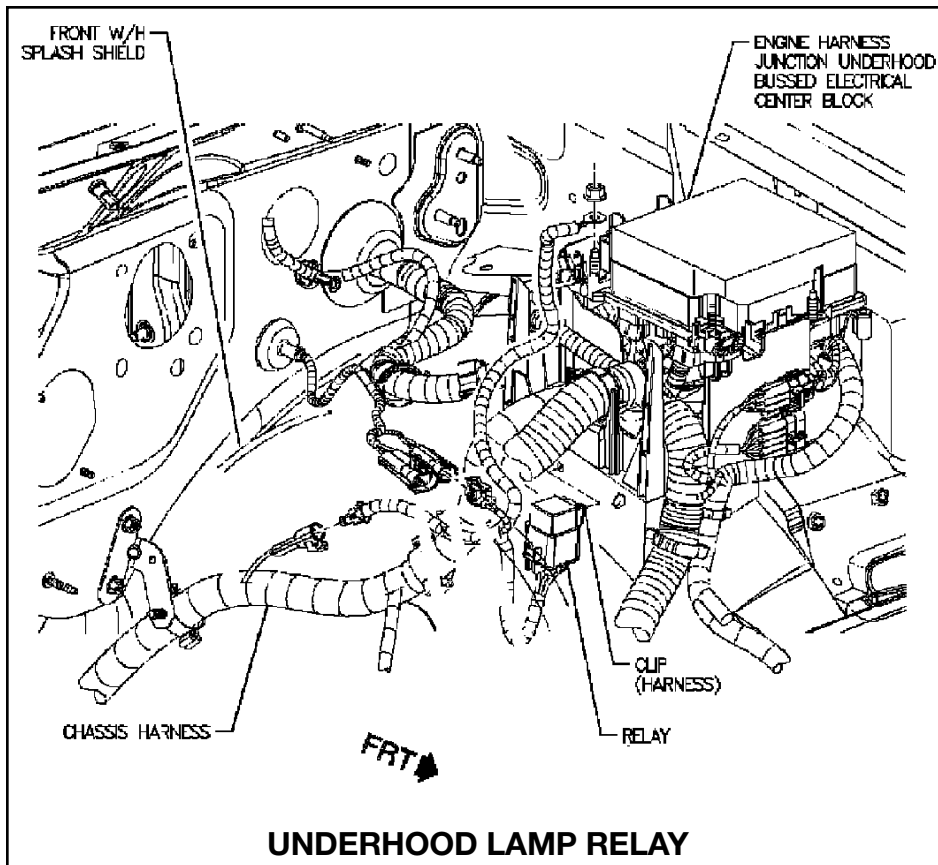


*(continued on next page)*

(A. ROOF-MOUNTED BEACONS – continued from previous page)

## Body Builder Emergency Lamp (SEO 5Y0)

This Specialty Equipment Option (SEO) includes wiring provisions for a body builder installed emergency vehicle lamp. Power is controlled through an auxiliary lamp switch located in the dash, a relay mounted on the front of the dash and wiring which is routed along the frame rail under the back of the cab. There are two blunt cut wires, one is Brown (roof-mounted lamp power) and the other is Black (ground). The Brown power wire is protected by the 30-Amp Stud 2 fuse which is located in the Underhood Electrical Center. The maximum rated electrical load is 21-Amps (250 watts). The added electrical equipment must not exceed 21-Amps (250 watts). The auxiliary lamp switch with this option will operate at all times regardless of the ignition switch position. Running this accessory for long periods of time with the engine off may run the battery down and cause a no-start condition.



## B. COMBINED STOP/TURN TAIL LAMP CONVERSION

The C/K trucks tail lamp wiring was designed for separated function Stop and Turn lamps; therefore, the tail lamp feeds from the rear junction block cannot be used directly for combination stop/turn lamps. Feeds for combined stop/turn lamps are available off of the trailer wiring harness. The Left Stop/Turn Lamp feed can be accessed from the yellow wire (circuit 1618). The Right Stop/Turn Lamp feed can be accessed from the dark green wire (circuit 1619). When using these feeds, the upfitter must consider whether the truck will be used for towing. If so, the upfitter must ensure that the loads of the truck lamps combined with the trailer stop/turn lamps do not exceed the 10Ampere capacity of the fuse. Load and splicing guidelines, can be found at the Upfitter Integration website ([www.gmupfitter.com](http://www.gmupfitter.com)) in the Electrical Guidelines Manual.

### Rear Chassis Wiring Harness Connector

If the upfitter prefers to interface directly with the chassis wiring connector, thus eliminating the Rear Junction Block. An in-line mating connector is available and can be obtained by ordering part number 15326788. The chassis wiring harness mating connector can be purchased from a GM dealer or through Packard/Pioneer Electric Systems (1-800-PACKARD).

## C. SNOWPLOW PREP PACKAGE (VYU) LIGHTING PROVISIONS

The **forward lamp** wiring harnesses have a set of mating eight cavity connectors on both the left and right sides of the vehicle. The upfitter will be able to disconnect the in-line connectors to allow interfacing with the forward lamp circuits (Front Parklamp, Turn Signal and DRL). The Headlamp circuits must be accessed from the Headlamp connectors. See the Special Applications Section - Snowplow Prep for circuit function charts, connector face diagrams and connector parts lists.

A **backup lamp** power feed is provided at the rear of the vehicle through the Trailer Harness. The 10-Amp TRLR B/U fuse located in the Underhood Electrical Center protects this circuit. On vehicles with Light Duty Trailer Wiring this circuit can be accessed through the green wire. On vehicles with the Heavy Duty Trailing option, this circuit is located in pin A of the Trailer Connector.

**NOTE: See Exterior lighting schematics in the Electrical Schematics section of the Body Builders Manual.**

## Passlock Interface For Remote Start/Stop

### PURPOSE

The information below outlines a procedure to disable the Passlock Theft Deterrent for C/K trucks in which remote start/stop applications are required. This procedure is required because a remote start/stop system will not function with the current Passlock Theft Deterrent on 2003 and beyond C/K trucks.

**Note:** The following information is intended to be used only in conjunction with the installation of a remote start/stop system and does not provide a procedure to install a remote start/stop system.

### CAUSE

If an attempt is made to start a vehicle by a means other than a key rotation in the ignition switch, the Truck Body Computer (TBC) will interpret this start request as a vehicle theft and disable the fuel injectors.

### CORRECTION

A minor wiring modification may be made to allow the vehicle to be started remotely.

This modification includes adding a switch to allow the customer to select “**ON**” to allow remote starting or “**OFF**” for normal Passlock Theft Deterrent operation.

**CAUTION:** When this modification is performed and the switch is set to the **ON** position, the theft deterrent feature will be disabled. When the theft deterrent is disabled the **SECURITY** telltale will light up indicating that the theft deterrent system is **NOT** functioning.

### PASSLOCK MODIFICATION

Refer to appropriate GM service manuals and/or Upfitter Integration Electrical Guideline Manual for instruction on splicing and electrical connections.

1. Select a suitable **ON/OFF** switch (see note below), which will be used to enable/disable the Passlock Theft Deterrent system. Mount the switch in a location such that it is accessible to the driver and will not interfere with normal vehicle operation.

**NOTE:** This is an extremely low current circuit (approx. 7mA). It is very important that a high quality, low energy, fast acting switch be utilized for this application.

*(continued on next page)*

*(continued from previous page)*

2. Turn the ignition switch to the **OFF** position.
3. Locate the Truck Body Computer on the lower left side of the I/P below the steering column. Refer to the illustration below to locate the TBC.
4. Locate the Yellow wire, **Pin A6 on the Brown Connector** on the TBC. Cut this wire and splice a 0.5mm (20 GA) yellow wire to each end of the cut wire. Keep wire length to a minimum. Route modification wires clear of moving parts. Connect the yellow wires to the switch such that the contacts are **OPEN** when the switch is in the **ON** position and **CLOSED** when the switch is in the **OFF** position.
5. Turn modification switch to the **OFF** position.
6. Start vehicle and verify switch operation. If engine “cranks but will not start” recheck the switch position, wire connectors and modification wiring. Switch should be in the **OFF** position.

## SWITCH OPERATION

### To initiate Fail Enable mode:

Start the engine with the ignition key. Turn modification switch to the **ON** position. The Security Telltale will light up indicating that the Passlock Theft Deterrent is inoperative. Once the security telltale has been on for at least five seconds the vehicle can be turned off and then remotely started.

### To disable Fail Enable mode:

The Passlock Theft Deterrent system can be re-enabled by turning the modification switch to the **OFF** position. Please note that the ECM/PCM (Engine Control / Powertrain Control Module) will record Diagnostic Trouble Codes (DTC's) related to the security system when the modification switch is in the **ON** position. This is due to the way that the ECM/PCM interprets this condition.

### **NOTICE**

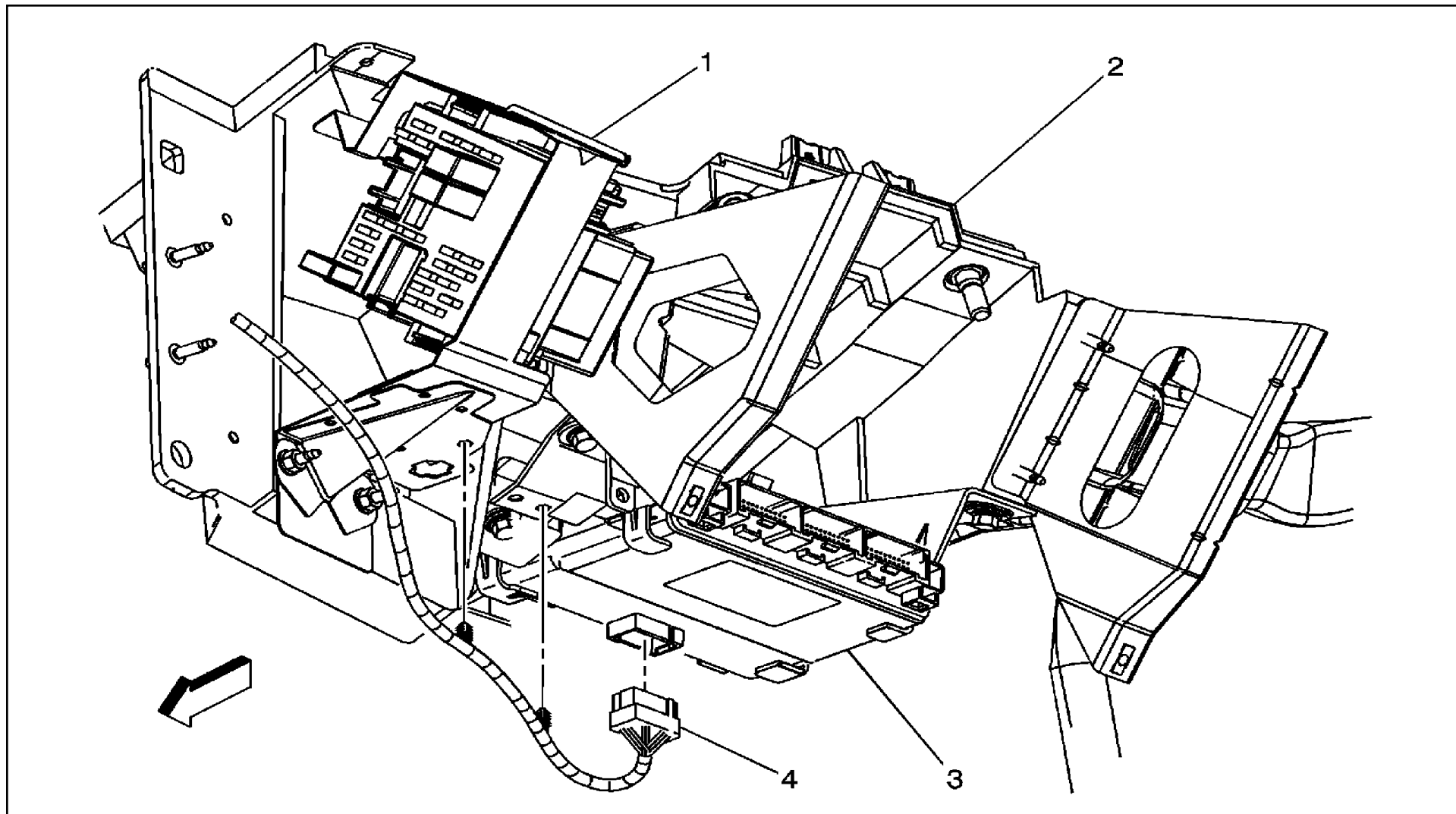
Any condition which removes battery power from the ECM/PCM (e.g. dead battery, disconnected harness connectors, etc.) will prevent the vehicle from being restarted. If the engine exhibits a “cranks but will not start” symptom, check to make sure that the modification switch is in the **OFF** position.

Please note that the ECM/PCM will record Diagnostic Trouble Codes (DTCs) related to the security system when the modification switch is in the **ON** position (circuit open). This is due to the way that the ECM/PCM interprets this condition.

*(continued on next page)*

(continued from previous page)

## Truck Body Computer

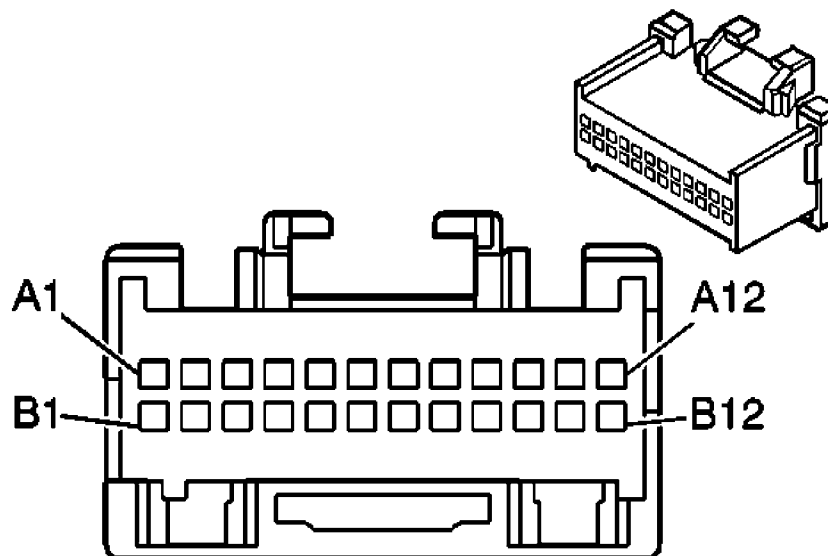


1. Fuse Block - Left I/P
2. Instrument Panel
3. Truck Body Computer
4. Truck Body Computer Harness

(continued on next page)

(continued from previous page)

**Truck Body Computer – Connector (C-3)**



<b>Connector Part Information</b>		<b>Part Number - 12160778</b> <b>24-Way F Micro-Pack 100 Series (BROWN)</b>	
<b>Pin</b>	<b>Wire Color</b>	<b>Circuit No.</b>	<b>Function</b>
A6	YEL	1836	Security System Sensor Signal

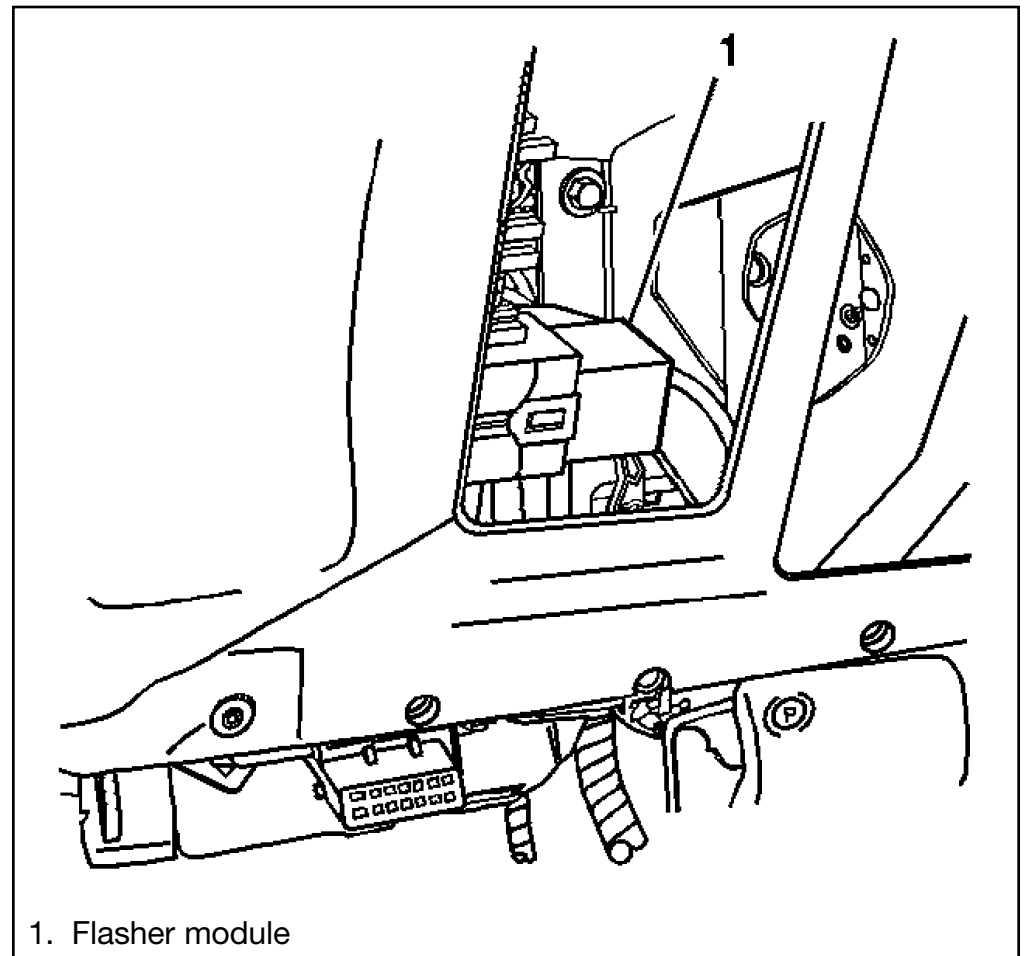
## Application Notes

### LED Turn Signals

Replacing rear turn signal lights with LED's will result in a rapid flash rate. This FMVSS required lamp outage detection is due to the change in lamp current through the flasher module. Two alternatives are offered to change the flash rate.

1. GM offers a low current LED Flasher module for the C/K truck applications. Part Number **10383322** is a LED flasher module. The module is available from GM Service parts through your dealer. The flasher is included as part of SEO option 8H9. The Turn Signal /Hazard Flasher Module is located in the Left BEC (Fuse Center). This BEC is located behind the knee bolster under the instrument panel.
2. Proper flash rate can also be obtained by placing an equivalent power resistor in parallel with the LED's. Alternately the LED's can be placed across the lamp loads. These wires may be accessed at pins A & G of the tail lamp assemblies. The supply side for the right is the dark blue wire (circuit 2115) and the light blue wire (circuit 2114) for the left. The black wire (circuit 1750) is the ground for both. Splicing guidelines, can be found at the Upfitter Integration website ([www.gmupfitter.com](http://www.gmupfitter.com)) in the Electrical Guidelines Manual. **Note: See Exterior lighting schematics in the Electrical Schematics section of the Body Builders Manual.**

**NOTE:** The truck will not have Lamp (or in this case LED) outage detection. Although the life of high quality LED's are substantially longer than the bulbs they replace, it is the upfitters responsibility for making this modification.



(continued on next page)



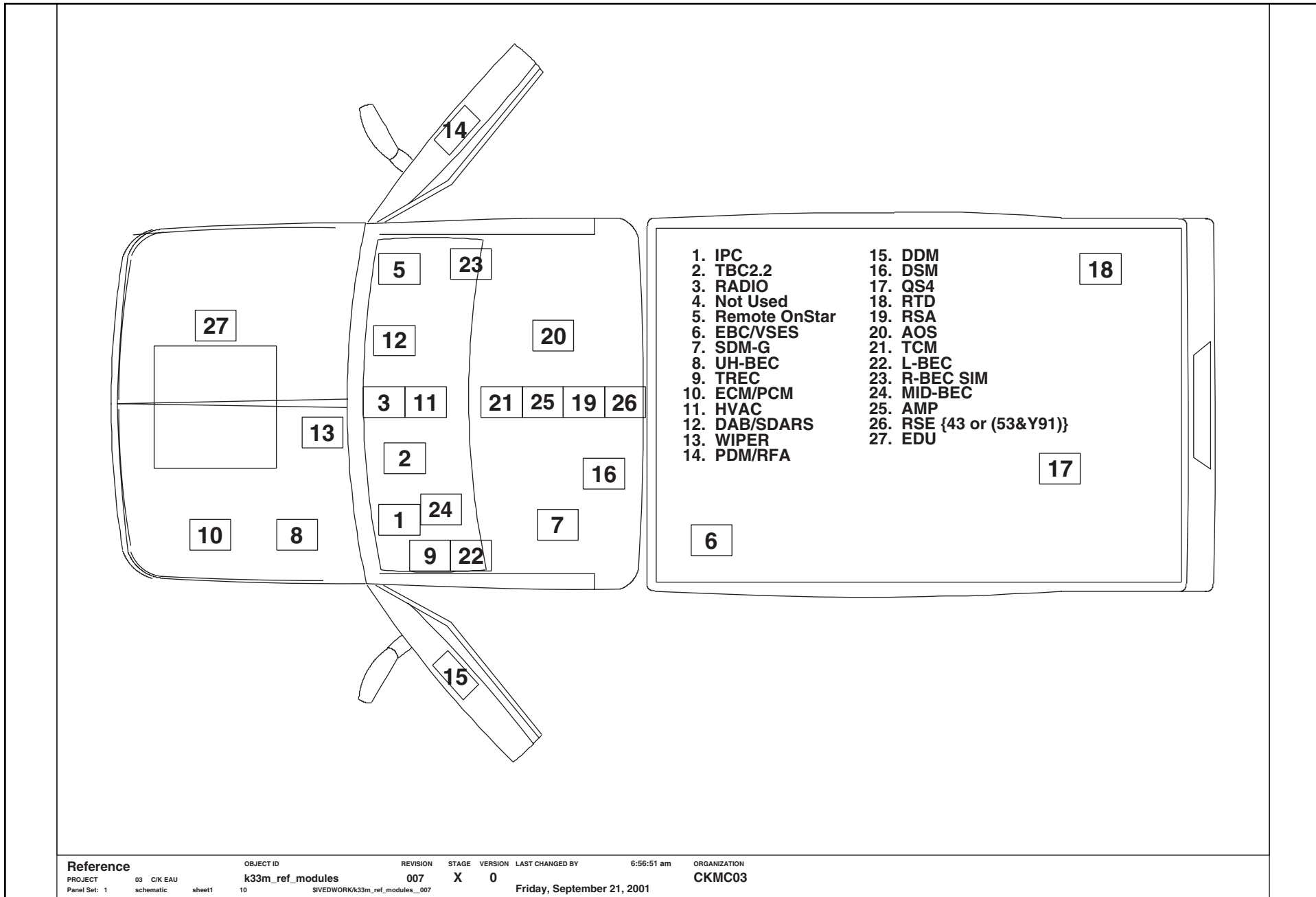
*(Application Notes — continued from previous page)*

## **Remote HVAC Compressor Operation**

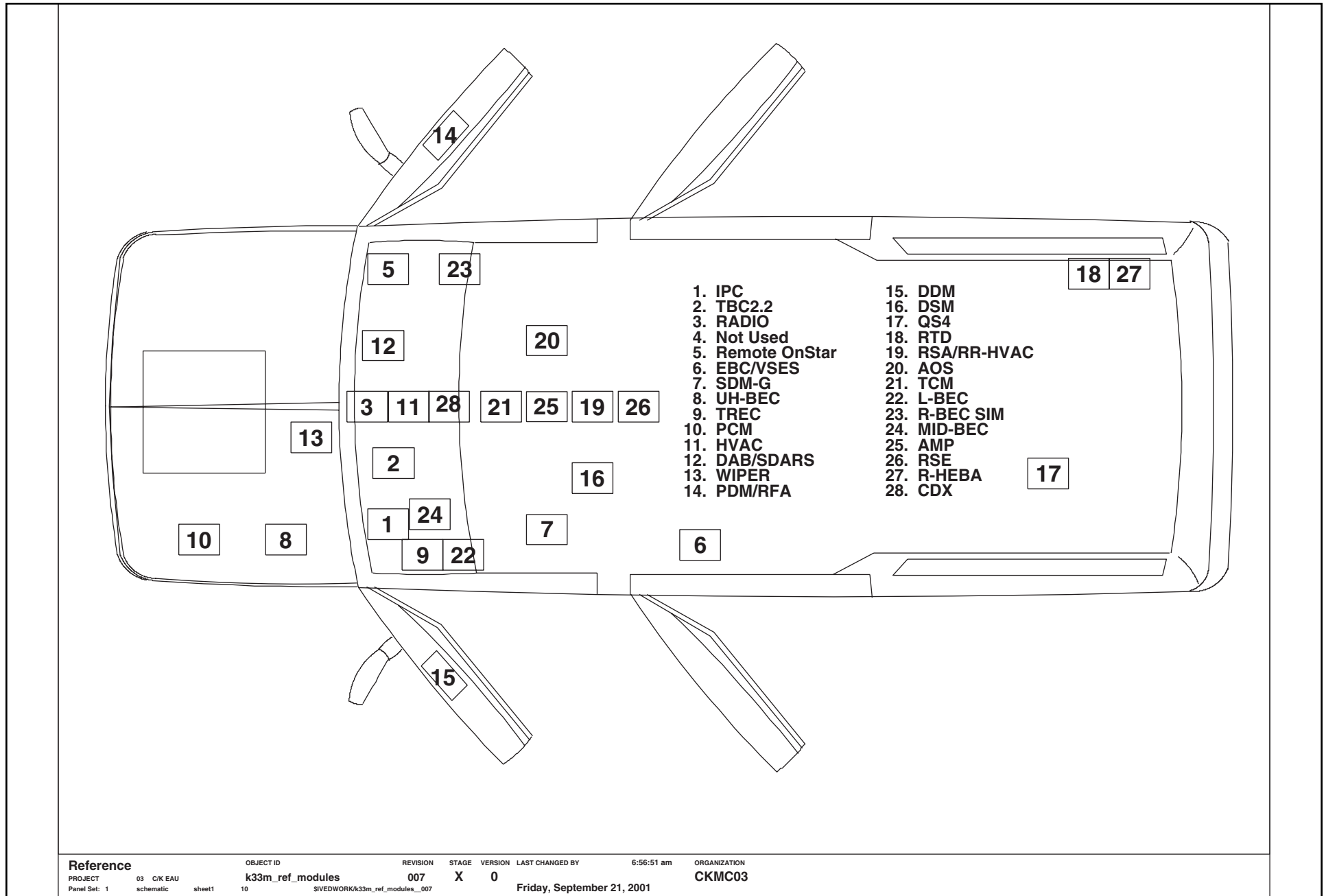
Certain applications require HVAC operation from a rear-mounted box for cooling purposes. Examples are ambulances and pharmaceutical or organ delivery vehicles. The refrigerant line is tapped into an auxiliary cooler. **The 2003 C/K does not support remote HVAC compressor operation.** In the past the A/C compressor could be turned on with a simple switch. The PCM controls the compressor in the 2003 C/K. The PCM receives commands to turn on the compressor via a Class 2 command from the HVAC controller.

# 2003 & BEYOND LIGHT DUTY C/K FULL-SIZE TRUCK ELECTRICAL

## Electrical Component Legend – Pickup / Chassis-Cab



## Electrical Component Legend – Utility



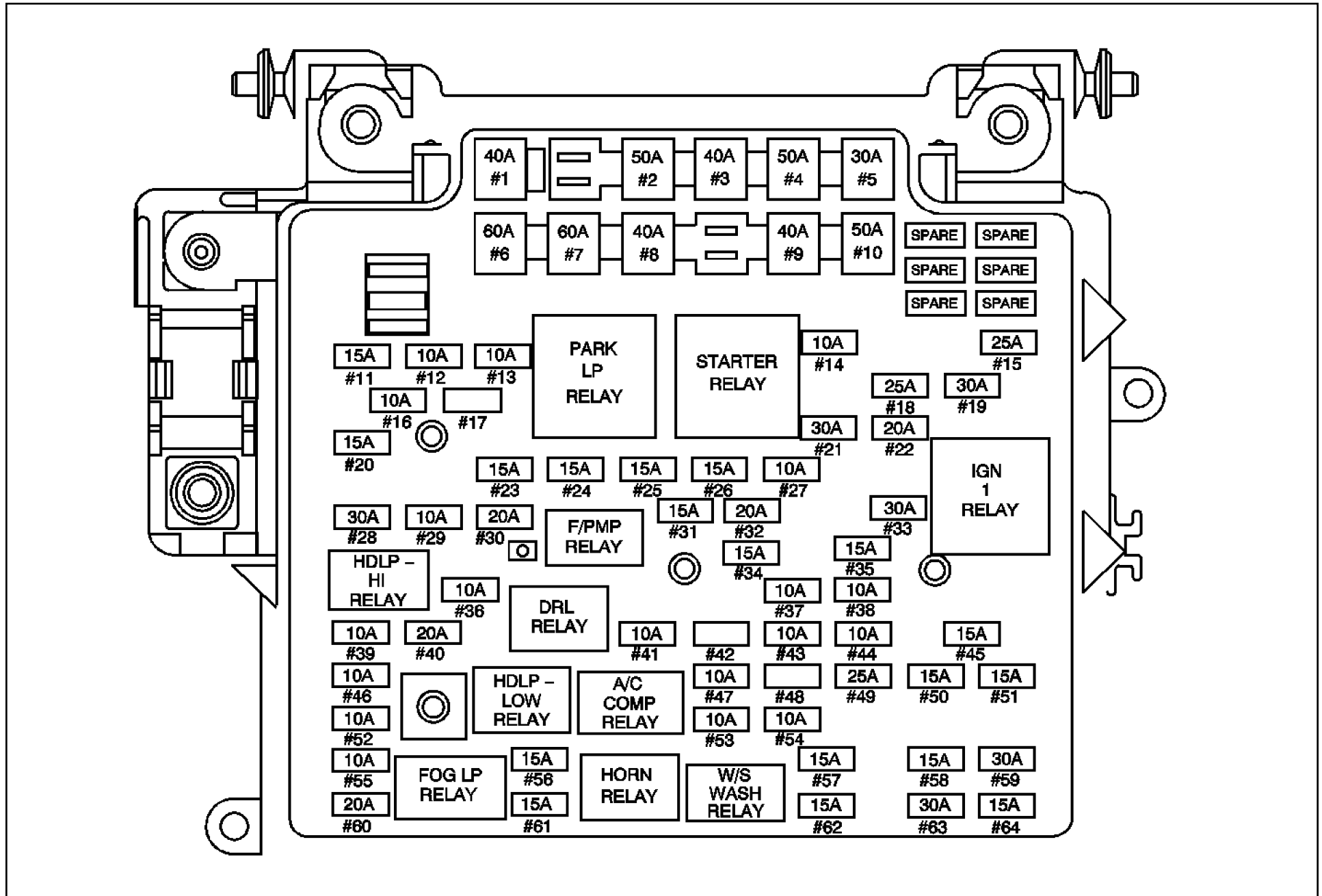
Reference		OBJECT ID	REVISION	STAGE	VERSION	LAST CHANGED BY	6:56:51 am	ORGANIZATION
PROJECT	03 C/K EAU	k33m_ref_modules	007	X	0			CKMC03
Panel Set: 1	schematic sheet1	10				Friday, September 21, 2001		

## *Electrical Component Legend – Acronyms and Abbreviations*

The following Acronyms and Abbreviations are used in the Electrical Component Legend, Ground Zone and Electrical schematic sections of this document.

03/53/43	Pickup (Regular/Extended/Crew)	HVAC	Heat Vent Air Condition
06	Utility (Both 706 & 906)	IPC	Instrument Panel Cluster
36	SUT (Sport Utility Truck)	PCM	Powertrain Control Module
706/906	Utility (Regular/Large)	PDM	Passenger Door Module
ABS	Antilock Brake System	PPS	Pedal Position Sensor
AOS	Automatic Occupant Sensor	QS4	Quadrasteer
ADG	Accommodation Device Gateway	RFA	Remote Function Actuator
DAB	Digital Audio Broadcast	RPA	Rear Parking Aid
DIC	Driver Information Center	RSA	Rear Seat Audio
DDM	Driver Door Module	RSE	Rear Seat Entertainment
DSM	Driver Seat Module	RTD	Real Time Damping
EAP	Electric Adjustable Pedals	SDARS	Satellite Digital Audio Radio Services
EBC	Electronic Brake Controller	SDM	Sensing and Diagnostic Module
ECC	Electronic Climate Control	TAC	Throttle Actuator Control
ECM	Engine Control Module	TBC	Truck Body Controller
EDU	Electronic Driver Unit	TCM	Transmission Control Module
ETC	Electronic Throttle Control	TPS	Throttle Position Sensor
EVO	Electronically Variable Orifice	TREC	Transfer Case Electronic Controller
FOH	Fuel Operated Heater	VSES	Vehicle Stability Enhancement System
HEBA	Heater Evaporator Blower ASM	EAU	Electrical Architecture Update
HSM	Heated Seat Module	MCE	Mid Cycle Enhancement

## Power Distribution Centers: Underhood BEC (Fuse Center)



## Power Distribution Centers: Underhood BEC (Fuse Center)

Fuse #	Name	Rating	Description
#1	STUD 1	40A	Trailer Wiring, Automatic Level Control (ALC) Compressor Relay
#2	MBEC 1	50A	SEAT CB, RT DOOR CB
#3	BLOWER	40A	Blower Motor
#4	LBEC 2	50A	LOCKS Fuse, DDM Fuse, PDM Fuse, ECC Fuse, AUX PWR 2 Fuse
#5	STUD 2	30A	Trailer Wiring, Emergency Vehicle Roof Lamp Relay
#6	ABS	60A	Electronic Brake Control Module (EBCM)
#7	VSES/ECAS	60A	Not Used
#8	IGN A	40A	Ignition Switch RUN, START, RUN/START/ACCY, STARTER Relay
#9	IGN B	40A	Ignition Switch RUN/ACC, RUN/START
#10	LBEC 1	50A	FLASH Fuse, TBC 2A Fuse, TBC 2B Fuse, TBC 2C Fuse, LT DOORS Fuse
#11	TRL PARK	15A	Trailer Wiring
#12	RR PARK	10A	Exterior Lamps-Right Rear, Clearance Lamps-Right
#13	LR PARK	10A	Exterior Lamps-Left Rear, Clearance Lamps-Left
#14	INTPARK	10A	Power Takeoff (PTO) Switch, Inflatable Restraint I/P Module Disable Switch
#15	STOP LP	25A	Stop Lamp Switch
#16	TBC BATT	10A	Body Control Module (BCM), PASS-Key Module
#17	—	—	Not Used
#18	SUNROOF	25A	Not Used
#19	SEO B2	30A	Roof Beacon Relay
#20	4WS	15A	Rear Wheel Steering Control Module, Evaporative Emission (EVAP) Canister Vent Solenoid
#21	RR HVAC	30A	Not Used
#22	AUX PWR	20A	Accessory Power Outlets, Auxiliary Power Outlets
#23	PCM 1	15A	Powertrain Control Module (PCM), Mass Air Flow (MFS) Sensor, Evaporative Emission (EVAP) Canister Purge Solenoid, Fuel Composition Sensor, Secondary Fuel Pump Relay
#24	ETC/ECM	15A	Throttle Actuator Control (TAC)
#25	INJ 1 (Gas)	15A	Fuel Injectors-Odd-Numbered, Ignition Coils-Odd-Numbered
#25	ECMRPCV (Diesel)	15A	Engine Control Module (ECM)
#26	INJ 2 (Gas)	15A	Fuel Injectors-Even-Numbered, Ignition Coils-Even-Numbered
#26	EDU	15A	Fuel Injector Control Module (FCIM)
#27	IGN E	10A	A/C COMP Relay, Park/Neutral Position (PNP) Switch, Turn Signal/Multifunction Switch, Headlamp Leveling Components, Clutch Start Switch
#28	RTD	30A	Not Used
#29	TRL B/U	10A	Body Control Module (BCM), Trailer Wiring, Back-Up Alarm
#30	PCM B (Gas)	20A	Powertrain Control Module, F/PMP Relay
#30	PCM B (Diesel)	20A	Engine Control Module (ECM), EDU Relay
#31	O2A (Gas)	15A	Heated Oxygen Sensors-Upstream

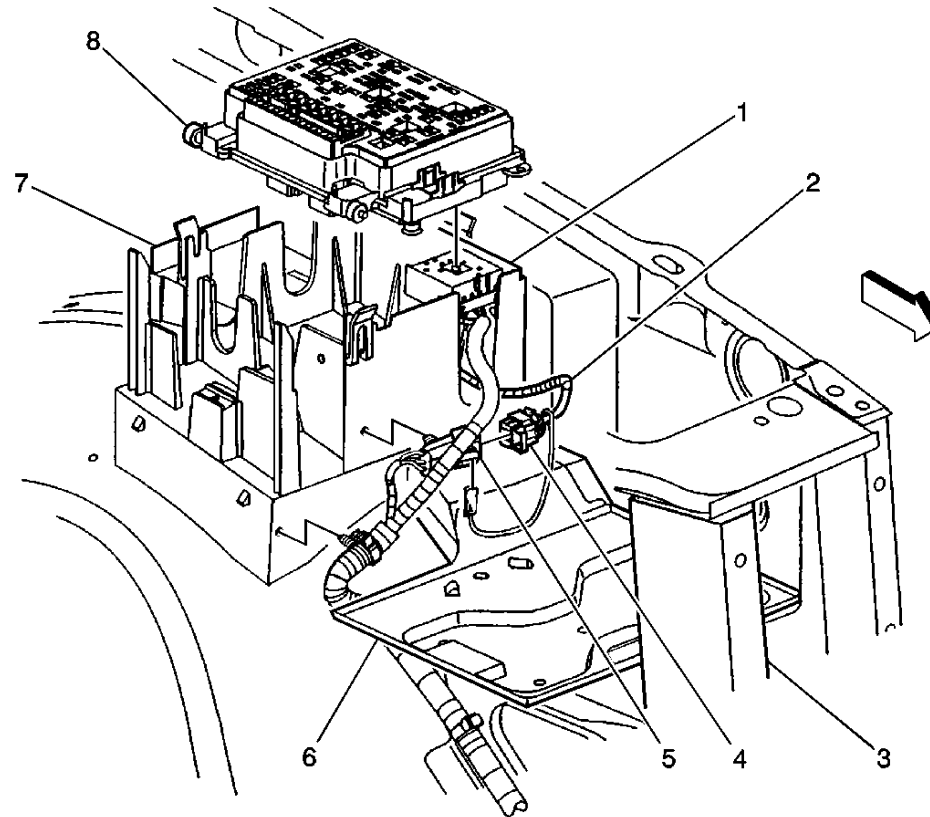
*(continued on next page)*

# 2003 & BEYOND LIGHT DUTY C/K FULL-SIZE TRUCK ELECTRICAL

## Power Distribution Centers: Underhood BEC (Fuse Center) (continued)

Fuse #	Name	Rating	Description
#31	FUEL HT (Diesel)	15A	Fuel Heater, Glow Plug Controller, Intake Air (IA) Heater Relay, EGR System Components
#32	B/U LP	20A	Park/Neutral Position (PNP) Switch
#33	RR DEFOG	30A	DEFOG Relay
#34	O2B (Gas)	15A	Heated Oxygen Sensors-Downstream
#34	EMCI (Diesel)	15A	IAT/MAF Sensor, Engine Control Module (ECM)
#35	SIR	15A	Inflatable Restraint Sensing and Diagnostic Module (SDM), Memory Seat Module-Passenger, Inside Rearview Mirror
#36	FRT PARK	10A	Park/Turn Signal Lamps-Front, Marker Lamps-Front
#37	SEO IGN	10A	DEFOG Relay, Instrument Panel Cluster (IPC)
#38	TBC IGN 1	10A	Body Control Module (BCM)
#39	HI HDLP-LT	10A	Headlamp-High Beam-Left
#40	LH HID	20A	Not Used
#41	DRL	10A	DRL Relay (Domestic), Daytime Running Lamps (Export)
#42	—	—	Not Used
#43	IPC/DIC	10A	Instrument Panel Cluster (IPC)
#44	HVAC/ECAS	10A	HVAC Control Module
#45	CIG LTR	15A	Cigar Lighter, Data Link Connector (DLC)
#46	HI HDLP-RT	10A	Headlamp-High Beam-Right
#47	A/C COMP	10A	A/C COMP Relay
#48	—	—	Not Used
#49	RR WPR	25A	Not Used
#50	RADIO	15A	Entertainment System Components
#51	SEO B1	15A	Instrument Panel Cluster (IPC), Rear Fog Lamp Relay, Overhead Console, Roof Beacon Switch
#52	LO HDLP-LT	10A	Headlamp-Low Beam-Left
#53	BTSI	10A	Stop Lamp Switch
#54	CRANK	10A	Powertrain Control Module (PCM)-Gas, Engine Control Module (ECM)-Diesel
#55	LO HDLP-RT	10A	Headlamp-Low Beam-Right
#56	FOG LP	15A	FOG LP Relay
#57	W/S WASH	15A	W/S WASH Relay
#58	INFO	15A	Vehicle Communication Interface Module (VCIM), Rear Seat Entertainment (RSE) Assembly, Remote Playback Device-CD Player
#59	RADIO AMP	30A	Audio Amplifier
#60	RH HID	20A	Not Used
#61	HORN	15A	Horn-Left, Horn-Right
#62	EAP	15A	Not Used
#63	TREC	30A	Transfer Case Encoder Motor, Transfer Case Shift Control Module
#64	SBA	15A	Supplemental Brake Assist

## Power Distribution Centers: Underhood – Fuse Block



- (1) Fuse Block-Underhood Bracket
- (2) I/P Harness
- (3) Radiator Support
- (4) Inline Connector C103 or C104-I/P Harness Side
- (5) Inline Connector C103 or C104-Forward Lamp Harness Side
- (6) LH Battery Tray
- (7) Fuse Block-Underhood Bracket
- (8) Fuse Block-Underhood Bracket



## Power Distribution Centers : MID BEC (Relay Center)

The following connectors allow for easy access to vehicle functions. These are open connector positions on the Mid BEC.

SEO connector in Mid BEC – Connector C-8  
Connector 12193930 – BLK

Cavity	Wire Color	Circuit No.	Function	Fuse Rating
A	Orange	2340	Hot at all times	30 Amp - SEO2 Fuse
B	---	---	Not Used	-----
C	Pink	739	Hot Run/Start	10 Amp - SEO IGN Fuse
D	Yellow	243	Hot Accy/Run	10 Amp - SEO ACCY Fuse
E	Orange	4540	Hot at all times	15 Amp - SEO B1 Fuse
F	Black	1050	Ground	-----

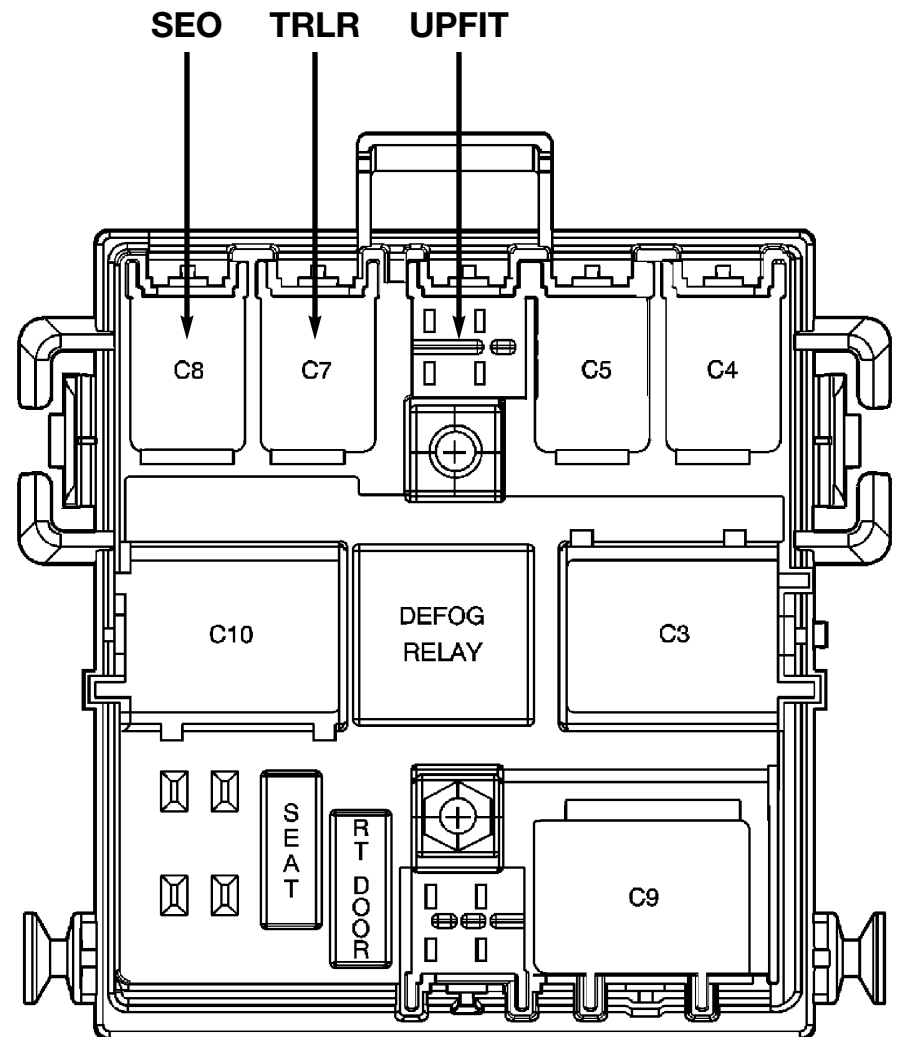
Trailer Brake Control wiring harness connector in Mid BEC – Connector C-7  
Connector 12193924 – BRN

Cavity	Wire Color	Circuit No.	Function
A	Brown	2409	Interior Park Lamp Feed
B	Red	242	Hot at all times
C	Dark Blue	47	Trailer Brake Control Feed
D	Light Blue	1620	Trailer CHMSL Feed
E	---	---	Not Used
F	Ground	1050	Ground

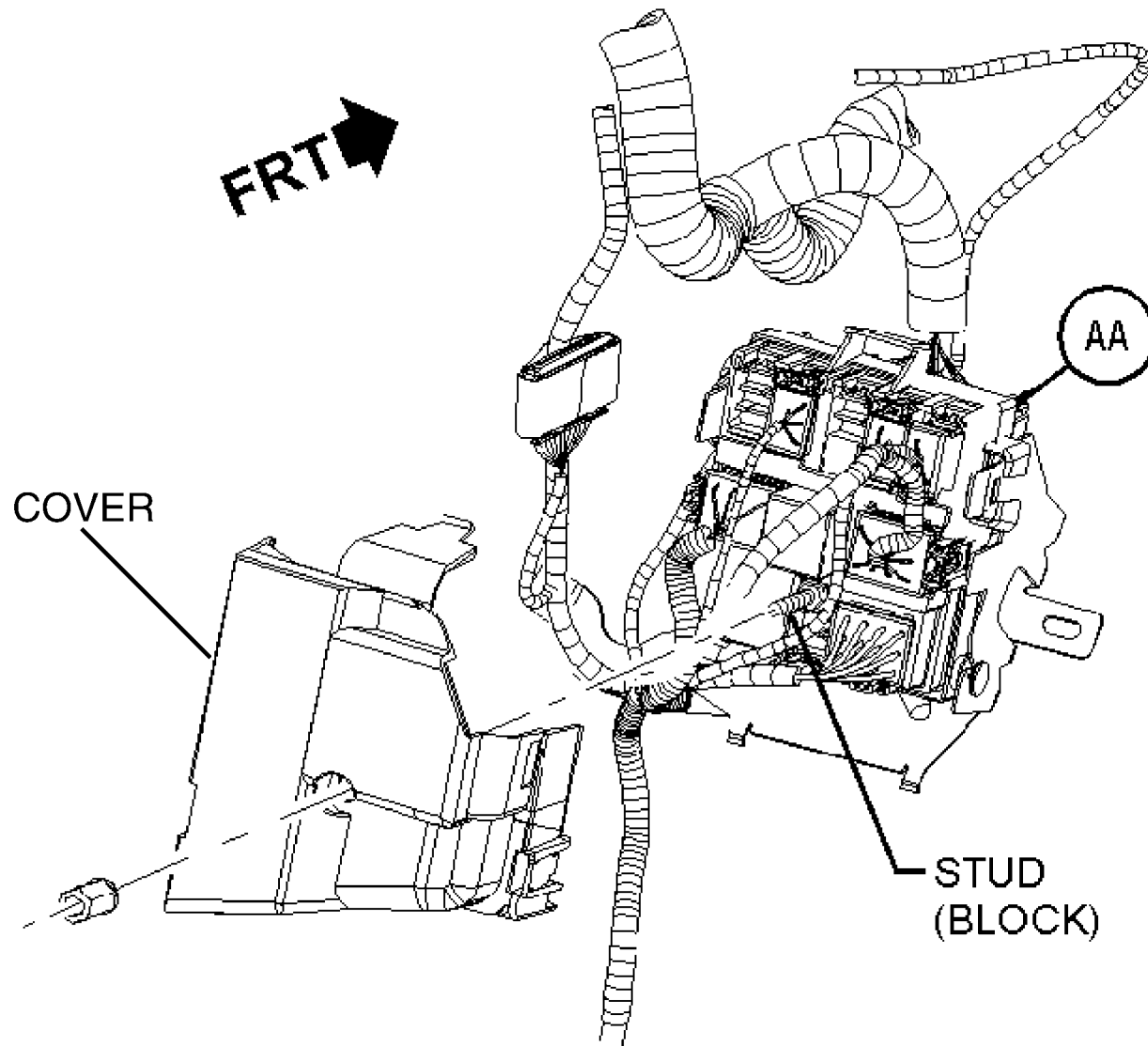
Upfitter Connector in Mid BEC – no # designation  
Connector 12914033 - CRM

Cavity	Wire Color	Circuit No.	Function
A	Orange	4540	Hot at all times
B	---	---	Not Used
C	---	---	Not Used
D	Dark Green	817	Primary Vehicle Speed Signal

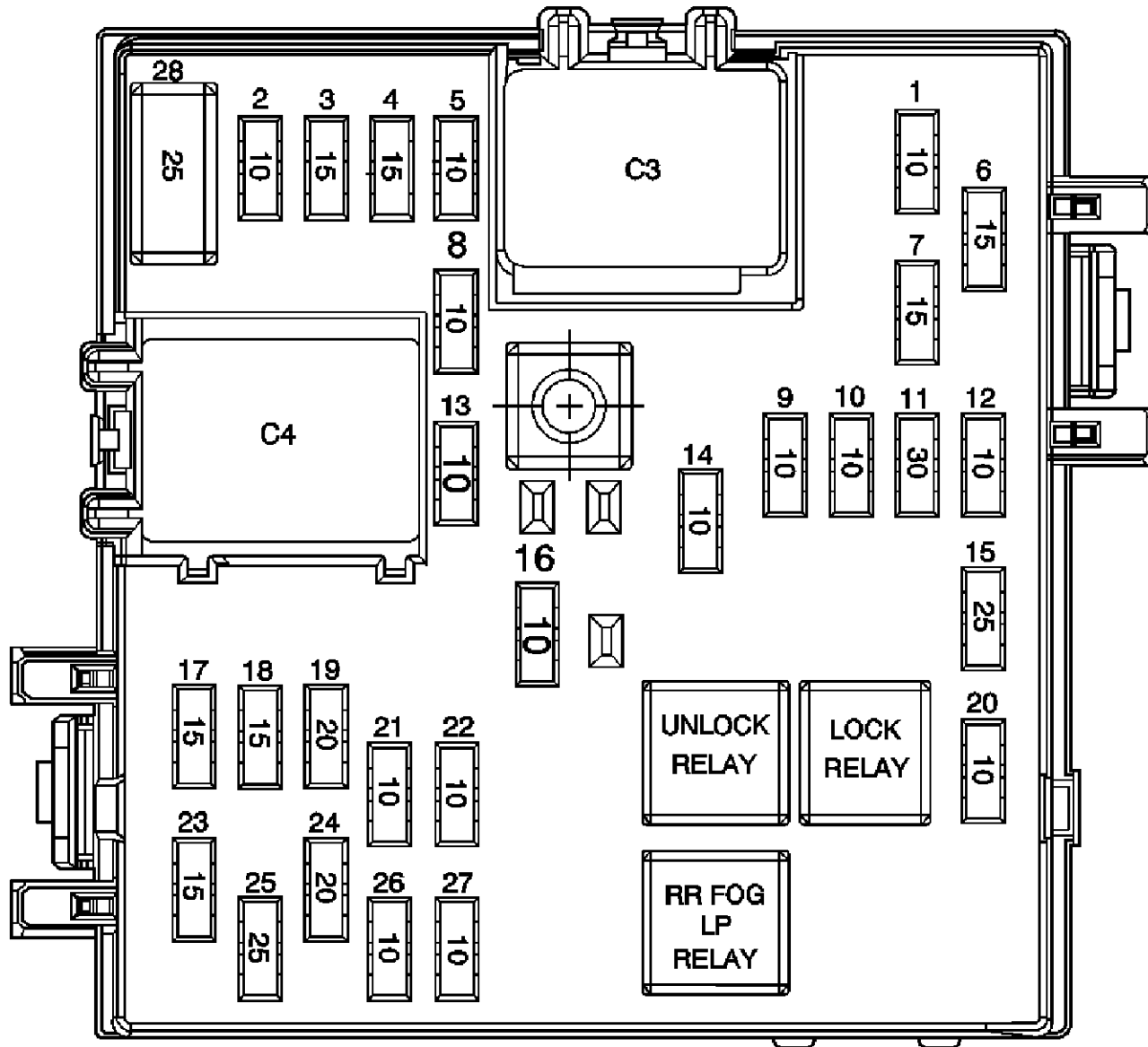
All of the connectors and pin-outs are listed in the Connector and Pin-out section for the Mid BEC.



## Power Distribution Centers : MID BEC (Relay Center) Location



## Power Distribution Centers : Left BEC (Fuse Center)

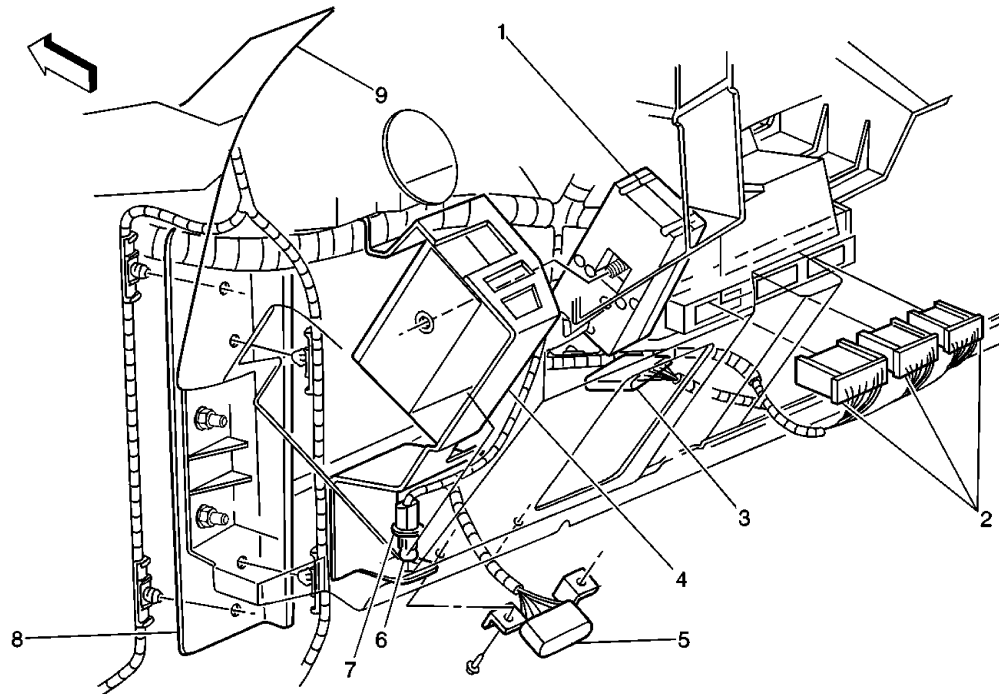


# 2003 & BEYOND LIGHT DUTY C/K FULL-SIZE TRUCK ELECTRICAL

## Power Distribution Centers : Left BEC (Fuse Center)

Fuse #	Name	Rating	Description
#1	IGN 3	10A	Rear Wheel Steering Control Module
#2	ECC	10A	Not Used
#3	DDM	15A	Driver Door Module (DDM)
#4	VEH STOP	15A	Tail/Stop and Turn Signal Lamps-Rear, Throttle Actuator Control (TAC)
#5	IGN 0	10A	Passlock Sensor, Automatic Transmission, Powertrain Control Module (PCM)-Gas, Engine Control Module (ECM)-Diesel
#6	RR WPR6	15A	Not Used
#7	4WD	15A	Front Axle Actuator, Transfer Case Shift Control Switch, Auxiliary Battery Relay
#8	TBC IGN 0	10A	Body Control Module (BCM)
#9	CRUISE	10A	Cruise Control Switch, Cruise Control Module, Steering Wheel Speed/Position Sensor, Power Takeoff (PTO) Switch
#10	HVAC 1	10A	HVAC Control Module, HVAC Actuators
#11	HTR/AC	30A	HVAC Control Module
#12	SEO ACCY	10A	Upfitter Provisions
#13	VEH CHMSL	10A	Center High Mounted Stop Lamp (CHMSL)
#14	BRAKE	10A	Stop Lamp Switch, Electronic Brake Control Module (EBCM), Clutch Start Switch
#15	WS WPR	25A	Windshield Wiper Motor Module
#16	PDM	10A	Front Passenger Door Module (FPDM)
#17	TBC 2B	15A	Body Control Module (BCM)
#18	TBC 2C	15A	Body Control Module (BCM)
#19	AUX PWR 2	20A	Not Used
#20	TBC ACCY	10A	Body Control Module (BCM)
#21	RT TRLR ST/TRN	10A	Trailer Wiring
#22	LT TRLR ST/TRN	10A	Trailer Wiring
#23	TBC 2A	15A	Body Control Module (BCM)
#24	LOCKS	20A	Door Lock/Unlock Relays
#25	FLASH	25A	Turn Signal/Hazard Flasher Module
#26	RT TRN	10A	Turn Signal Lamps-Right, Marker Lamps-Right, Front Passenger Door Module (FPDM), Instrument Panel Cluster (IPC)
#27	LT TURN	10A	Turn Signal Lamps-Left, Marker Lamps-Left, Driver Door Module (DDM), Instrument Panel Cluster (IPC)
#28	LT DOORS (CB)	25A	Driver Door Module (DDM), Window Switch-LR

## Power Distribution Centers : Left BEC (Fuse Center)



- (1) Fuse Block Connector
- (2) Body Control Module (BCM) Connector
- (3) Splice Pack 205 (SP205)
- (4) Fuse Block
- (5) Data Link Connector (DLC)
- (6) LH IP Courtesy Lamp
- (7) LH IP Courtesy Lamp Socket
- (8) LH IP Support to Dash
- (9) Left Windshield Pillar Trim Panel

## Power Distribution Centers : Right BEC (Fuse Center)

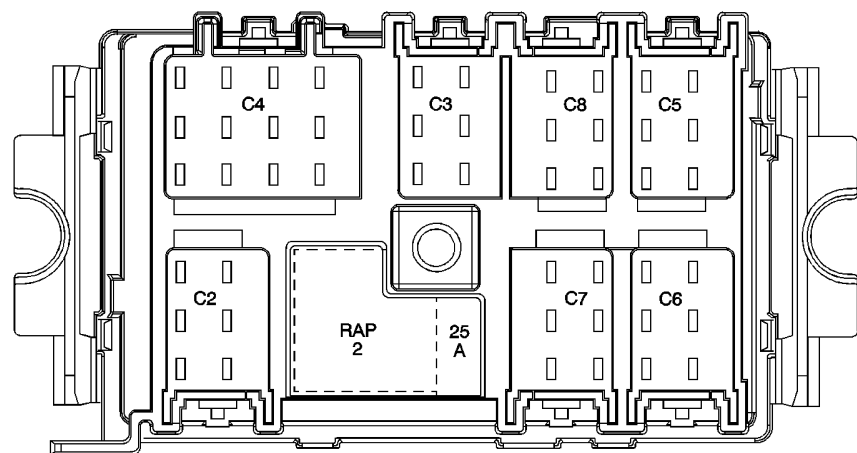
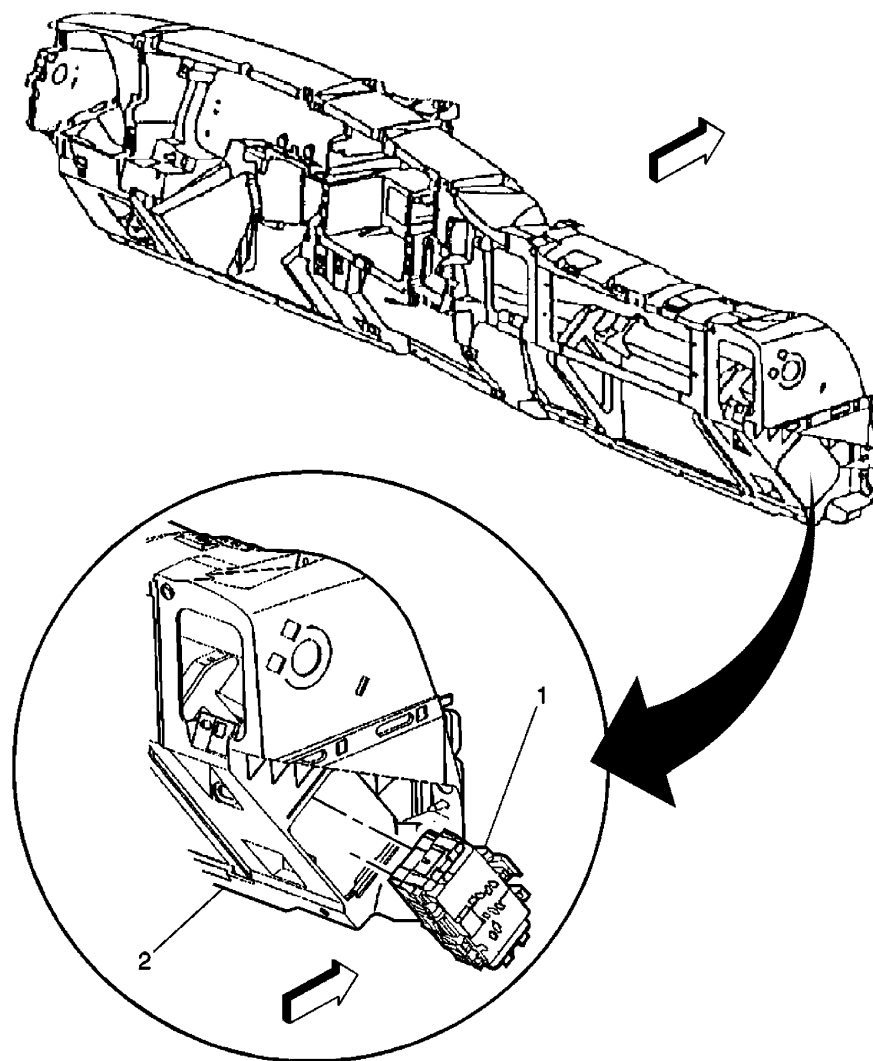


FIGURE Fuse Block – Right I/P (c)

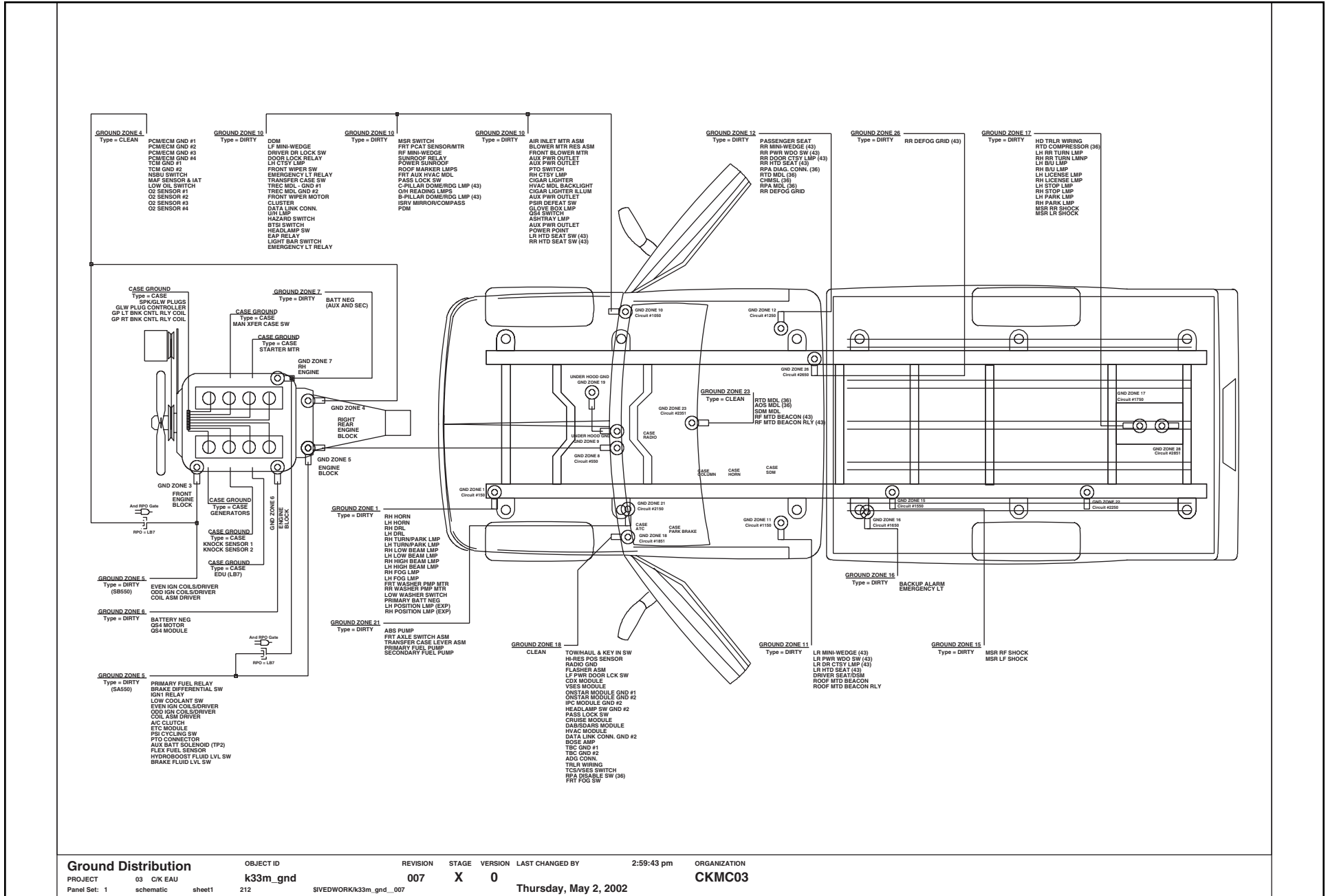


- (1) Fuse Block-Right I/P
- (2) Instrument Panel



# 2003 & BEYOND LIGHT DUTY C/K FULL-SIZE TRUCK ELECTRICAL

## Ground Zones - Pickup



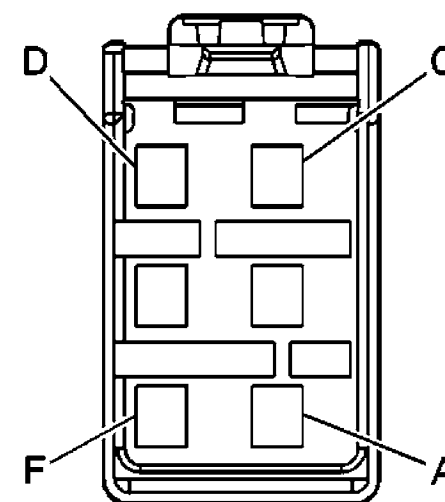
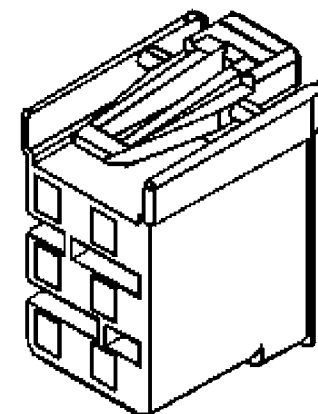




## SEO Connector in Mid BEC – Connector C-8

Connector	Packard 280 Series
Typical Connector	12193930 (F)
Color	<b>BLK</b>
Typical Terminal	12191479
Typical Cable Seal	n/a

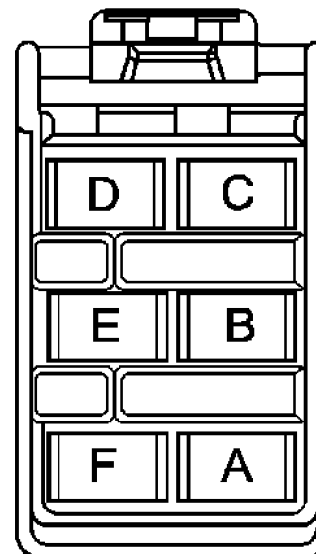
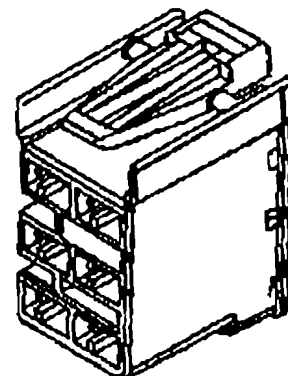
Cavity	Wire Color	Circuit No.	Function	Fuse Rating
A	ORN	2340	Hot at all times	30 Amp – SEO2 Fuse
B	—	—	Not Used	—
C	PNK	739	Hot Run/Start	10 Amp – SEO IGN Fuse
D	YEL	243	Hot Accy/Run	10 Amp – SEO ACCY Fuse
E	ORN	4540	Hot at all times	15 Amp – SEO B1 Fuse
F	BLK	1050	Ground	—



## Trailer Brake Control Wiring Harness Connector in Mid BEC – Connector C-7

Connector	Packard 280 Series
Typical Connector	12193924 (F)
Color	<b>BRN</b>
Typical Terminal	12191479
Typical Cable Seal	n/a

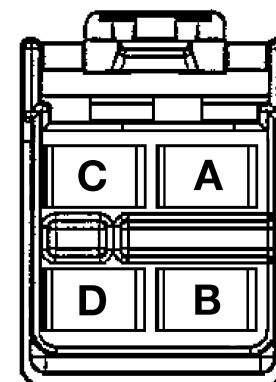
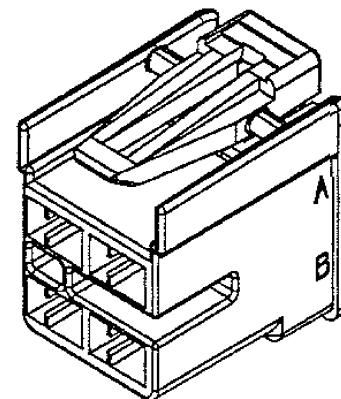
Cavity	Wire Color	Circuit No.	Function
A	BRN	2409	Interior Park Lamp Feed
B	RED	242	Hot at all times
C	BLU DK	47	Trailer Brake Control Feed
D	BLU LT	1620	Trailer CHMSL Feed
E	--	--	Not Used
F	BLK	1050	Ground



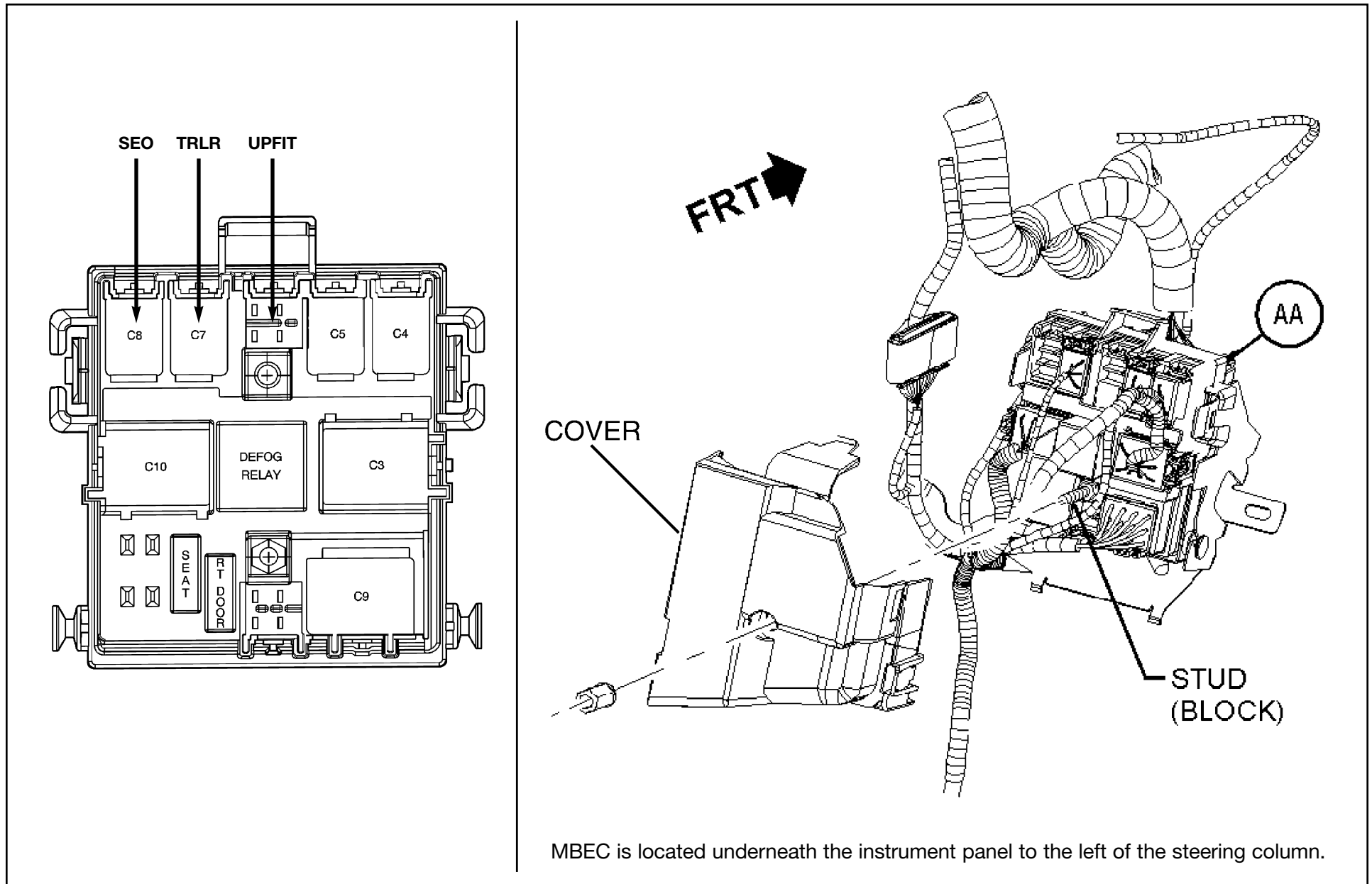
## Upfitter Connector in Mid BEC – no # designation

Connector	Packard 280 Series
Typical Connector	12914033 (F)
Color	<b>CRM</b>
Typical Terminal	12191479
Typical Cable Seal	n/a

Cavity	Wire Color	Circuit No.	Function
A	ORN	4540	Hot at all times
B	--	--	Not Used
C	--	--	Not Used
D	GRN DK	817	Primary Vehicle Speed Signal



## Mid BEC Connectors Location



## LLY ('04 - '05) Engine Control Module (ECM) Connector C-1

Connector	56-Way F Micro 64 Sealed (BLU)
Typical Connector	15357147 (F)
Color	<b>BLU</b>
Typical Terminal	15356828
Typical Cable Seal	15357153 (orange)

Pin	Wire Color	Circuit No.	Function
1	YEL	2361	SAE J1939 Serial Data Bus +
2	DK GRN	2362	SAE J1939 Serial Data Bus -
3-4	--	--	Not Used
5	ORN	440	Battery Positive Voltage
6	--	--	Not Used
7	ORN/BLK	1057	Low Reference
8	PNK/BLK	632	Low Reference
9	BLK/WHT	451	Ground
10	PNK	439	Ignition 1 Voltage
11-12	--	--	Not Used
13	YEL	492	MAF Sensor Signal
14	BRN/WHT	5763	EGR Valve Position Signal
15	DK GRN	1049	Class 2 Serial Data
16	YEL	710	Class 2 Serial Data
17	TAN	1274	5-Volt Reference
18	PNK	1020	Ignition 0 Voltage (M74)
19	PNK	439	Ignition 1 Voltage
20	ORN	440	Battery Positive Voltage
21	GRY	2700	5-Volt Reference
22	--	--	Not Used
23	ORN/BLK	5929	5-Volt Reference
24-25	--	--	Not Used
26	DK BLU	507	Wait to Start Indicator Control
27	--	--	Not Used
28	LT BLU	1162	APP Sensor 2 Signal

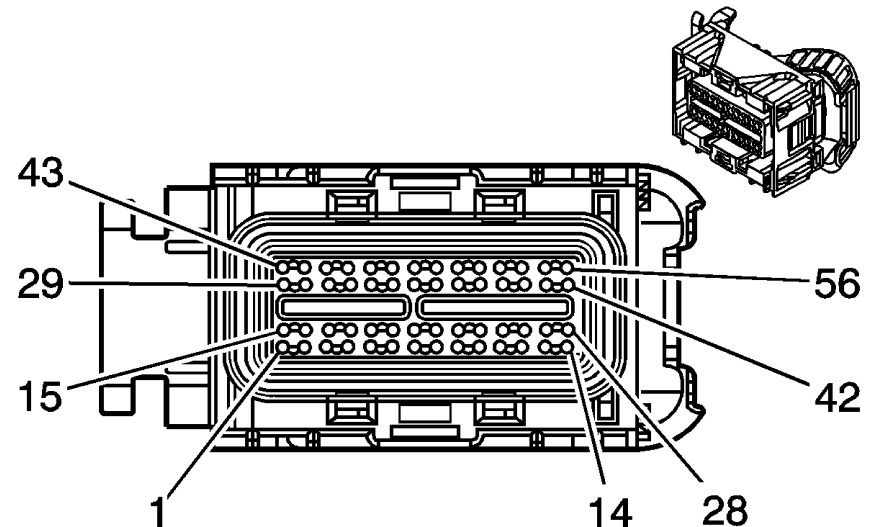


chart continued on next page

## LLY ('04 - '05) Engine Control Module (ECM) Connector C-1 (continued)

*chart continued from previous page*

Pin	Wire Color	Circuit No.	Function
29	--	--	Not Used
30	PPL	1589	Fuel Level Sensor Signal - Primary
31	WHT/BLK	2932	5-Volt Reference
32	WHT/BLK	1164	5-Volt Reference
33	TAN	2917	5-Volt Reference
34	GRY	2705	5-Volt Reference
35	--	--	Not Used
36	YEL/BLK	1275	5-Volt Reference
37	YEL	2834	Fuel Pressure Regulator Solenoid Control
39	GRY	597	5-Volt Reference
40	PPL/WHT	2530	Fuel Pressure Regulator Solenoid Supply Voltage
41	GRY	23	Generator Field Duty Cycle Signal
42	PNK	1039	Ignition 1 Voltage

Pin	Wire Color	Circuit No.	Function
43	DK BLU	1936	Fuel Level Sensor Signal - Secondary
44	DK GRN/WHT	465	Fuel Pump Relay Control
45	--	--	Not Used
46	YEL/BLK	1827	Vehicle Speed Sensors
47	GRY	2703	5-Volt Reference
48-49	--	--	Not Used
50	RED	631	12-Volt Reference
51	YEL	2834	Fuel Pressure Regulator Solenoid Control
52	GRY/BLK	2219	FICM Relay Control
53	DK GRN/WHT	817	Vehicle Speed Signal
54	PPL/WHT	2530	Fuel Pressure Regulator Solenoid Supply Voltage
55	--	--	Not Used
56	PNK	1039	Ignition 1 Voltage

## LLY ('04 - '05) Engine Control Module (ECM) Connector C-2

Connector 73-Way F Micro 64 Sealed (BLK)  
 Typical Connector 15357131 (F)  
 Color **BLK**  
 Typical Terminal 15356826  
 Typical Cable Seal 15357153 (orange)  
 Individual Cable Seal 15366065 (orange)

Pin	Wire Color	Circuit No.	Function
1	---	---	Not Used
2	ORN/BLK	2919	Low Reference
3	---	---	Not Used
4	BRN	25	Charge Indicator Control
5-6	---	---	Not Used
7	GRY/BLK	1694	4WD Low Signal
8	BLK	2754	Low Reference
9-12	---	---	Not Used
13	BLK	2751	Low Reference
14	GRY	720	Low Reference
15-16	---	---	Not Used
17	YEL/BLK	508	Water in Fuel Indicator Control
18	---	---	Not Used
19	DK BLU	1161	APP Sensor 1 Signal
20	---	---	Not Used
21	DK BLU	2466	Trans MIL Request
22	---	---	Not Used
23	LT GRN	432	Turbocharger Boost Sensor Signal
24	DK GRN	1163	APP Sensor 3 Signal
25	TAN/WHT	332	Oil Pressure Sensor Signal
26	BRN	1174	Oil Level Switch Signal
27	YEL	1578	Fuel Temperature Signal
28	LT GRN	1867	12-Volt Reference
29	GRY/BLK	2931	Low Reference

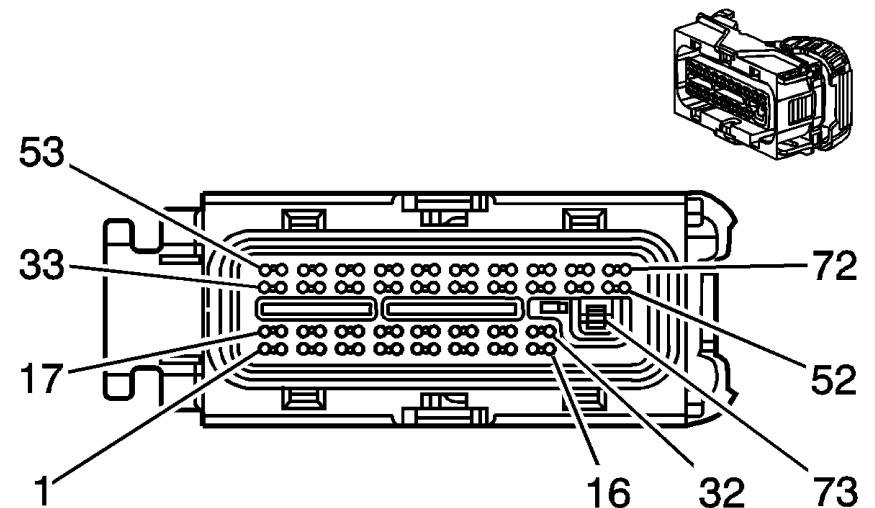


chart continued on next page



## LLY ('04 - '05) Engine Control Module (ECM) Connector C-2 (continued)

*chart continued from previous page*

Pin	Wire Color	Circuit No.	Function
30	ORN/BLK	469	Low Reference
31	YEL	5775	Turbocharger Vane Position Sensor Signal
32	--	--	Not Used
33	ORN/BLK	5764	EGR Motor High Control
34	--	--	Not Used
35	LT GRN/ BLK	5746	EGR Motor Low Control
36	BLK/WHT	451	Ground
37	--	--	Not Used
38	LT GRN	1478	Coolant Level Switch Signal
39	BLK	2755	Low Reference
40	BRN	1271	Low Reference
41	--	--	Not Used
42	YEL	2918	FRP Sensor Signal
44	TAN	5928	Low Reference
45	--	--	Not Used
46	GRY/BLK	433	Baro Sensor Signal
47-48	--	--	Not Used
49	DK BLU	5930	Turbocharger Vane Position Control Solenoid Valve High Control
50	WHT	5931	Low Reference
51	--	--	Not Used
52	PNK/BLK	1746	Fuel Injector 3 Control

Pin	Wire Color	Circuit No.	Function
53	ORN/BLK	5764	EGR Motor High Control
54	PPL	1272	Low Reference
55	LT GRN/ BLK	5746	EGR Motor Low Control
56	GRY	1273	Low Reference
57	BRN	2524	Generator 2 Turn on Signal
58	BLK	552	Low Reference
59	--	--	Not Used
60	LT BLU	1320	CHMSL Supply Voltage
61	PPL	420	TCC Brake Switch/Cruise Control Release Signal
62	--	--	Not Used
63	LT BLU	2832	Engine Speed Signal
64	BLK	470	Low Reference
65	LT GRN/BLK	1745	Fuel Injector 2 Control
66	RED/BLK	877	Fuel Injector 7 Control
67	YEL	410	ECT Sensor Signal
68	DK BLU/WHT	878	Fuel Injector 8 Control
69	LT BLU/BLK	844	Fuel Injector 4 Control
70	BLK/WHT	845	Fuel Injector 5 Control
71	YEL/BLK	846	Fuel Injector 6 Control
72	BLK	1744	Fuel Injector 1 Control
73	BLK/WHT	451	Ground

## LLY ('04 - '05) Engine Control Module (ECM) Connector C-3

Connector	56-Way F Micro 64 Sealed (GRY)
Typical Connector	15357148 (F)
Color	<b>GRY</b>
Typical Terminal	15356826
Typical Cable Seal	15357153 (orange)

Pin	Wire Color	Circuit No.	Function
1	LT BLU	494	PTO Engine Kill Signal (PTO)
2-5	---	---	Not Used
6	LT GRN	488	PTO on Switch Signal (PTO)
7	---	---	Not Used
8	BLK/WHT	1695	Front Axle Switch Signal
9	---	---	Not Used
10	PNK	1039	Ignition 1 Voltage
11	---	---	Not Used
12	PPL/WHT	821	VSS High Signal (ML6)
	YEL	400	VSS High Signal (M74)
13	---	---	Not Used
14	PNK	1039	Ignition 1 Voltage
15-16	---	---	Not Used
17	YEL	2522	PTO Engage Signal (PTO)
18	PPL	806	Crank Voltage
19	DK BLU	84	Cruise Control Set/Coast Switch Signal
20-21	---	---	Not Used
22	GRY/BLK	87	Cruise Control Resume/Accel Switch Signal
23	LT GRN/BLK	822	VSS Low Signal (ML6)
24	TAN	472	IAT Sensor Signal
25-29	---	---	Not Used
30	GRY	397	Cruise Control on Switch Signal
31	ORN/BLK	1786	Park/Neutral Signal
32	---	---	Not Used
33	RED/BLK	380	A/C Refrigerant Pressure Sensor Signal

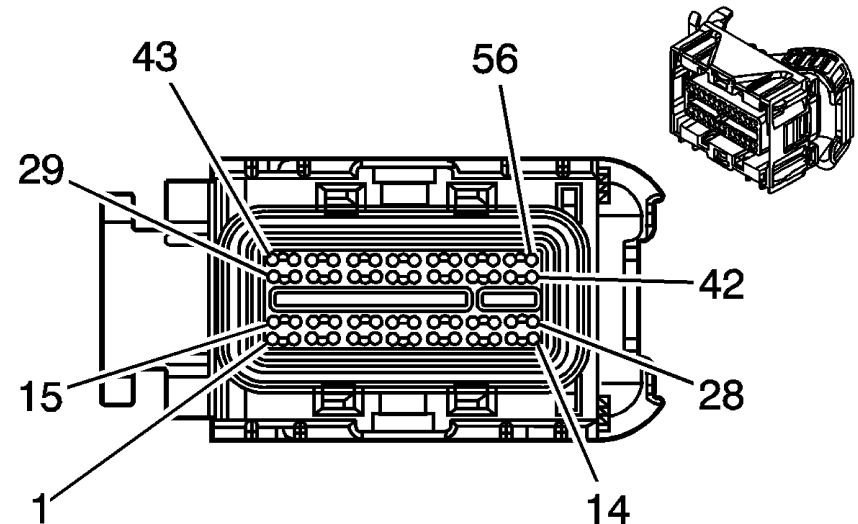


chart continued on next page

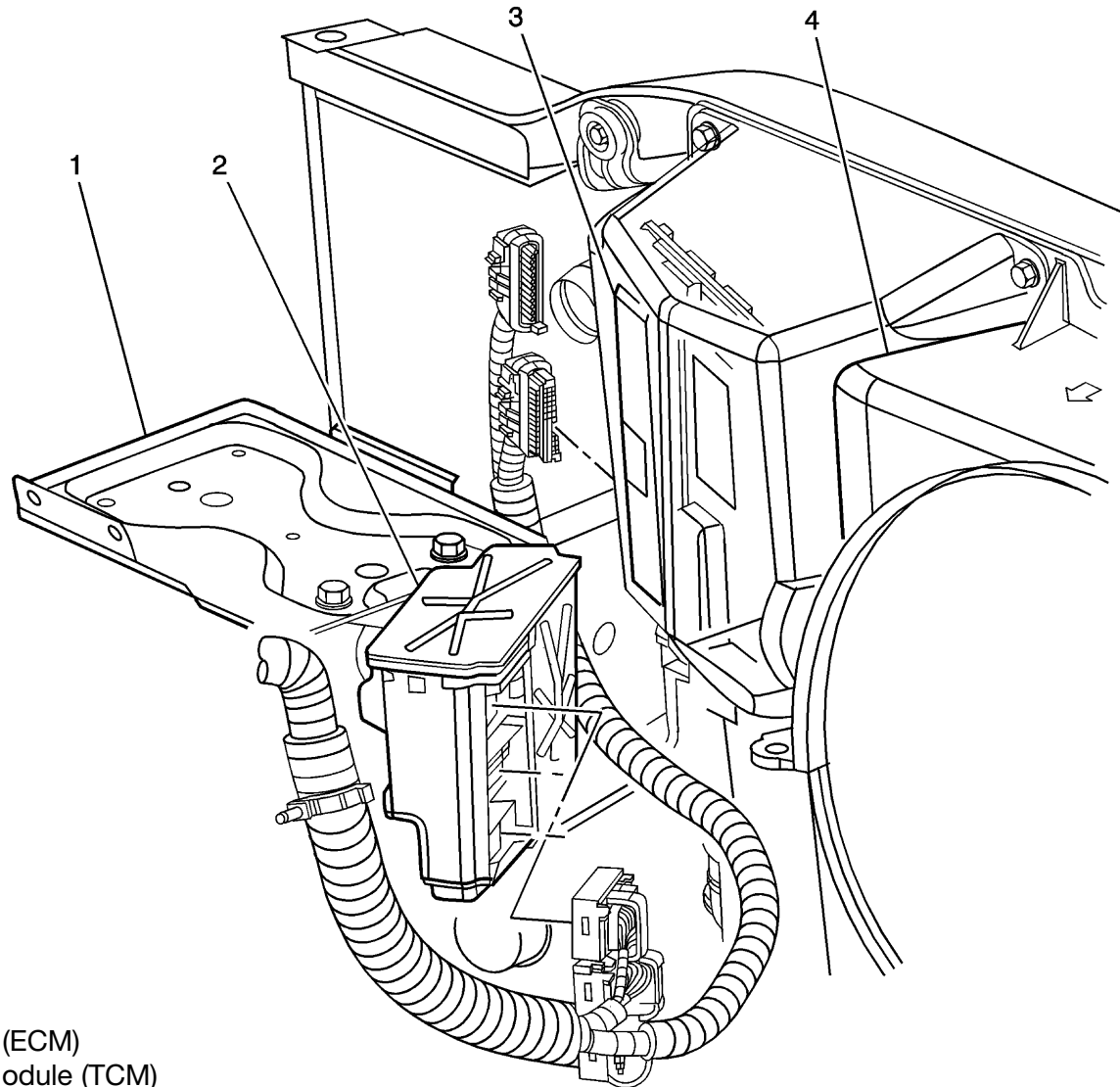
## LLY ('04 - '05) Engine Control Module (ECM) Connector C-3 (continued)

*chart continued from previous page*

Pin	Wire Color	Circuit No.	Function
34	--	--	Not Used
35	YEL/BLK	625	Starter Enable Relay Control
36	--	--	Not Used
37	WHT	121	Engine Speed Signal
39	PPL	2562	PTO Control (PTO)
40	BRN/WHT	419	MIL Control
41	DK GRN/WHT	459	A/C Compressor Clutch Relay Control
42	--	--	Not Used
43	YEL/BLK	1868	Low Reference

Pin	Wire Color	Circuit No.	Function
44	BLK/WHT	451	Ground
45	GRY	1524	Backup Lamp Supply Voltage
46	--	--	Not Used
47	GRY	48	CPP Switch Signal
48	BRN	718	Low Reference
49-50	--	--	Not Used
51	BRN/WHT	633	CMP Sensor Signal
52	DK BLU/WHT	1869	CKP Sensor Signal
53-56	--	--	Not Used

## LLY ('04 - '05) Engine Control Module (ECM) Location



- (1) Battery Tray – Left
- (2) Engine Control Module (ECM)
- (3) Transmission Control Module (TCM)
- (4) Fan Shroud

## LLY ('06) Engine Control Module (ECM) Connector C-1

Connector	96-Way F Sealed (BK)		
Typical Connector	15438366 (F)		
Color	<b>BK</b>		
Typical Terminal	---		
Typical Cable Seal	---		
Pin	Wire Color	Circuit No.	Function
1	GY	5421	Injector Positive Voltage Control Group 1 (Early Production)
	OG	5421	Injector Positive Voltage Control Group 1 (Late Production)
2	D-BU/WH	878	Fuel Injector 8 Control
3	RD/BK	877	Fuel Injector 7 Control
4 - 5	---	---	Not Used
6	OG/BK	469	Low Reference
7	PU	806	Crank Voltage
8	YE	2522	PTO Engage Signal
9	BN	1174	Oil Level Switch Signal
10	GY/BK	87	Cruise Control Resume/Accel Switch Signal
11	YE/BK	6272	Low Reference (Early Production)
	GY	6272	Low Reference (Late Production)
12	GY	2704	5 Volt Reference
13	TN	5928	5 Volt Reference
14	---	---	Not Used
15	GY	2705	5 Volt Reference
16 - 17	---	---	Not Used
18	YE	492	MAF Sensor Signal
19	L-GN	432	MAP Sensor Signal
20	YE	5947	Turbocharger Vane Position Sensor Signal
21	L-BU	1162	APP Sensor 2 Signal
22	---	---	Not Used

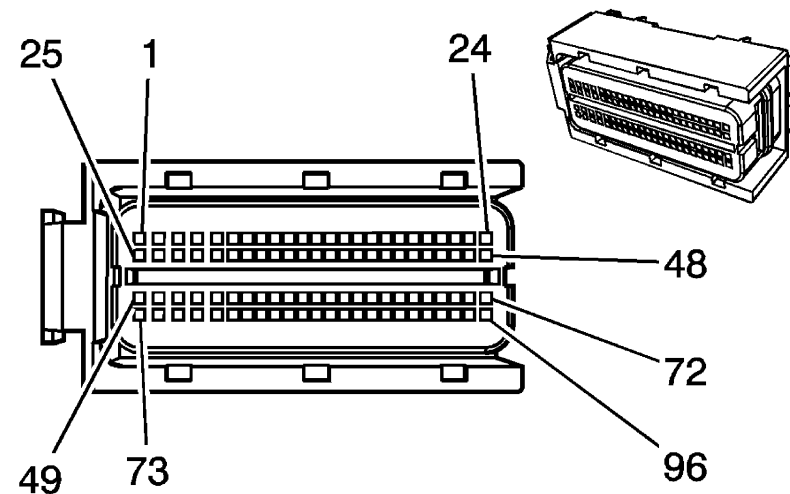


chart continued on next page

## LLY ('06) Engine Control Module (ECM) Connector C-1 (continued)

*chart continued from previous page*

Pin	Wire Color	Circuit No.	Function
23	BK	2755	Low Reference
24	PU/WH	2530	Fuel Pressure Regulator Solenoid Supply Voltage
25	PK	5425	Injector Positive Voltage Control Group 4
26	YE/BK	846	Fuel Injector 6 Control
27	PK/BK	1746	Fuel Injector 3 Control
28	---	---	Not Used
29	BN	25	Charge Indicator Control (8X5)
30	OG/BK	2919	Low Reference
31	BN	1271	Low Reference
32	GY	48	CPP Switch Signal
33	---	---	Not Used
34	D-BU	84	Cruise Control Set/Coast Switch Signal
35 - 36	---	---	Not Used
37	GY	2703	5 Volt Reference
38	TN	1274	5 Volt Reference
39	TN	2917	5 Volt Reference
40	L-GN	6270	5 Volt Reference (Early Production)
	PU/WH	6270	5 Volt Reference (Late Production)
41	D-BU	6259	5 Volt Reference
42	TN	472	IAT Sensor Signal
43	---	---	Not Used
44	TN/WH	332	Oil Pressure Sensor Signal
45 - 46	---	---	Not Used
47	GY	720	Low Reference
48	D-BU	5930	Turbocharger Vane Position Control Solenoid Valve High Control
49	PU	5423	Injector Positive Voltage Control Group 3

Pin	Wire Color	Circuit No.	Function
50	BK/WH	845	Fuel Injector 5 Control
51	L-BU/BK	844	Fuel Injector 4 Control
52	---	---	Not Used
53	YE/BK	6120	Low Reference
54	---	---	Not Used
55	GY/BK	2931	Low Reference
56	D-BU/WH	6265	CMP Sensor Signal
57	GY/BK	1694	4WD Low Signal
58	L-GN	1478	Coolant Level Switch Signal
59	---	---	Not Used
60	L-GN	488	PTO On Switch Signal
61	GY	397	Cruise Control ON Switch Signal
62	BK	552	Low Reference
63	OG/BK	5929	Low Reference
64	---	---	Not Used
65	L-BU	6118	IAT Sensor 2 Signal
66	---	---	Not Used
67	BN/WH	5763	EGR Valve Position Signal
68	YE	410	ECT Sensor Signal
69 - 70	---	---	Not Used
71	YE/BK	625	Starter Enable Relay Control
72	YE	2834	Fuel Pressure Regulator Solenoid Control
73	YE	5422	Injector Positive Voltage Control Group 2
74	BK	1744	Fuel Injector 1 Control
75	L-GN/BK	1745	Fuel Injector 2 Control
76	PK	1039	Ignition 1 Voltage
77	OG	440	Battery Positive Voltage

*chart continued on next page*

## LLY ('06) Engine Control Module (ECM) Connector C-1 (continued)

*chart continued from previous page*

Pin	Wire Color	Circuit No.	Function
78	PU	1272	Low Reference
79	D-BU/WH	6271	CKP Sensor Signal (Early Production)
	WH/BK	6271	CKP Sensor Signal (Late Production)
80 - 81	--	--	Not Used
82	BK/WH	1695	Axle Switch Signal
83	--	--	Not Used
84	GY	1524	Backup Lamp Supply Voltage
85	YE/BK	508	Water In Fuel Indicator Control
86	BK	2754	Low Reference

Pin	Wire Color	Circuit No.	Function
87	--	--	Not Used
88	PK/BK	6266	Low Reference (Early Production)
	BN	6266	Low Reference (Late Production)
89 - 91	--	--	Not Used
92	YE	2918	FRP Sensor Signal
93 - 95	--	--	Not Used
96	WH	5931	Turbocharger Vane Position Control Solenoid Valve Low Control

## LLY ('06) Engine Control Module (ECM) Connector C-2

Connector	58-Way F Sealed (BK)		
Typical Connector	15462694 (F)		
Color	<b>BK</b>		
Typical Terminal	---		
Typical Cable Seal	---		
Pin	Wire Color	Circuit No.	Function
1	PK	339	Ignition 1 Voltage
2	BK/WH	451	Ground
3	PK	339	Ignition 1 Voltage
4	BK/WH	451	Ground
5	PK	339	Ignition 1 Voltage
6	BK/WH	451	Ground
7 - 8	---	---	Not Used
9	D-GN	1049	Class 2 Serial Data
10 - 11	---	---	Not Used
12	D-GN/WH	465	Fuel Pump Relay Control
13	BK	2751	Low Reference
14	---	---	Not Used
15	WH/BK	1164	5 Volt Reference
16	D-BU	507	Wait To Start Indicator Control
17	---	---	Not Used
18	PU	2562	PTO Control (PTO)
19	GY/BK	2219	ECM Relay Control
20	---	---	Not Used
21	PK	439	Ignition 1 Voltage
22	L-BU	1320	CHMSL Supply Voltage
23	BN	25	Charge Indicator Control
24	BN	2524	Generator 2 Turn On Signal (8X5/YF2)
25 - 26	---	---	Not Used
27	GY	2700	5 Volt Reference
28	---	---	Not Used

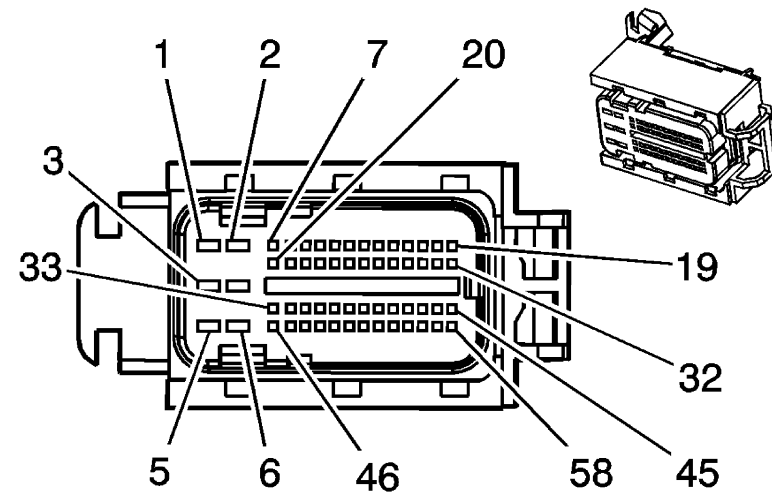


chart continued on next page



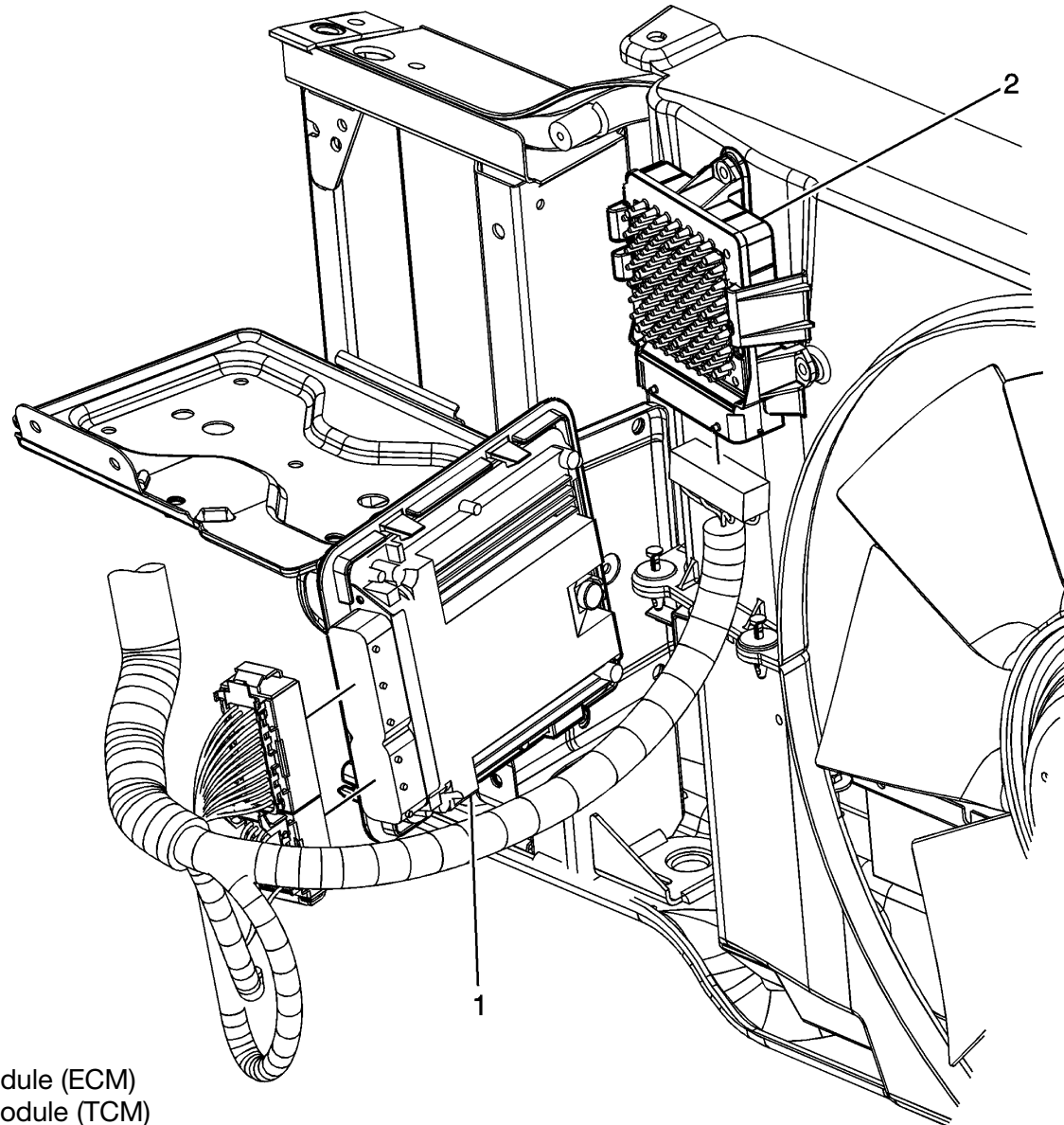
## LLY ('06) Engine Control Module (ECM) Connector C-2 (continued)

chart continued from previous page

Pin	Wire Color	Circuit No.	Function
29	BN	1271	Low Reference
30	BN/WH	419	MIL Control
31	D-GN/WH	459	A/C Compressor Clutch Relay Control
32	--	--	Not Used
33	OG/BK	5764	EGR Motor High Control
34	BK	470	Low Reference
35	RD/BK	380	A/C Refrigerant Pressure Sensor Signal
36	PU/WH	1589	Fuel Level Sensor Signal - Primary (Early Production)
	PU	1589	Fuel Level Sensor Signal - Primary (Late Production)
37	--	--	Not Used
38	GY	23	Generator Field Duty Cycle Signal
39	OG/BK	1786	Park/Neutral Signal (MW7)
40	PU	420	TCC Brake Switch/Cruise Control Release Switch Signal
41	--	--	Not Used
42	D-GN/WH	817	Vehicle Speed Signal
43	--	--	Not Used

Pin	Wire Color	Circuit No.	Function
44	TN	2501	High Speed GMLAN Serial Data Bus -
45	PU/WH	821	VSS High Signal (ML6)
	YE	400	VSS High Signal (MW7)
46	L-GN/BK	5746	EGR Motor Low Control
47	BN	6062	Low Reference
48	YE	1578	Fuel Temperature Signal
49	D-BU	1161	APP Sensor 1 Signal
50	D-BU	1936	Fuel Level Sensor Signal - Secondary (Except NQZ)
51 - 53	--	--	Not Used
54	YE/BK	1827	Vehicle Speed Signal
55	WH	121	Engine Speed Signal
56	PK	1020	Ignition 0 Voltage
57	BN/WH	2500	High Speed GMLAN Serial Data Bus + (Early Production)
	BN/WH	2500	High Speed GMLAN Serial Data Bus + (Late Production)
58	L-GN/BK	822	VSS Low Signal (ML6)

## LLY ('06) Engine Control Module (ECM) Location



- (1) ('06) Engine Control Module (ECM)
- (2) Transmission Control Module (TCM)

## LB7 Engine Control Module (ECM) Connector C-1

Connector	80-Way F Micro-Pack 100W Sealed (BU)		
Typical Connector Color	12191489 (F) <b>BLU</b>		
Typical Terminal	12084912		
Typical Cable Seal	12160845		
Pin	Wire Color	Circuit No.	Function
1	BK/WH	351	Ground
2	L-GN	1867	12 Volt Reference
3	BK	1744	Fuel Injector 1 Control
4	L-BU/BK	844	Fuel Injector 4 Control
5	TN/WH	332	Oil Pressure Sensor Signal
6	--	--	Not Used
7	YE/BK	1275	5 Volt Reference
8	GY	705	5 Volt Reference
9	D-GN	2362	CAN Serial Data Low
10	YE	2361	CAN Serial Data High
11	--	--	Not Used
12	D-BU/WH	1869	CKP Sensor Signal
13 - 17	--	--	Not Used
18	D-BU	84	Cruise Control Set/Coast Switch Signal
19	PK	439	Ignition 1 Voltage
20	OG	440	Battery Positive Voltage
21	YE/BK	1868	Low Reference
22	GY/BK	87	Cruise Control Resume/Accel Switch Signal
23	--	--	Not Used
24	BK	407	Low Reference
25	OG/BK	469	Low Reference
26 - 28	--	--	Not Used
29	PK	5349	Auxiliary Cooling Fan
30	L-GN	1478	Coolant Level Switch Signal
31	D-GN	534	High Idle Switch Signal

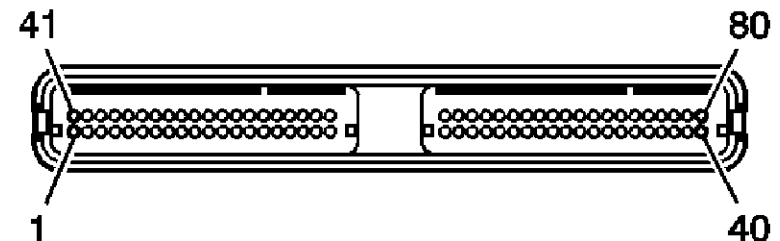
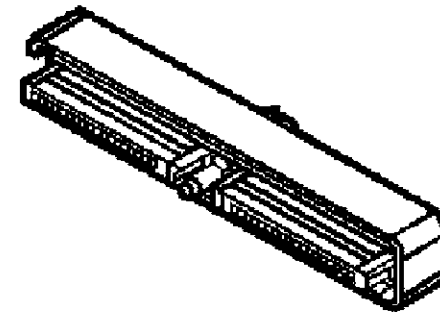


chart continued on next page

## LB7 Engine Control Module (ECM) Connector C-1 (continued)

chart continued from previous page

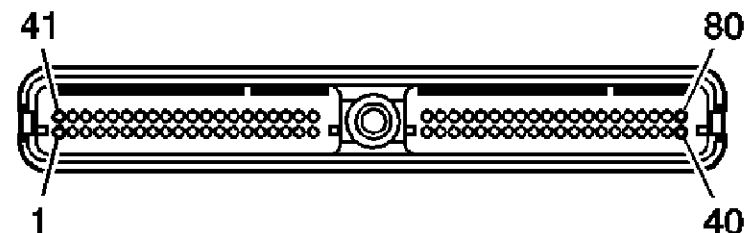
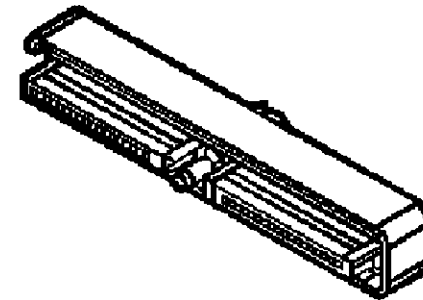
Pin	Wire Color	Circuit No.	Function
32	BN	2524	Generator 2 Turn On Signal
33	PU	420	TCC Brake Switch/Cruise Control Release Signal
	D-GN	1433	Clutch Start Switch Signal
34	OG/BK	1786	Park/Neutral Signal
35	---	---	Not Used
36	L-GN/BK	1745	Fuel Injector 2 Control
37	BK/WH	846	Fuel Injector 6 Control
38 - 39	---	---	Not Used
40	BK/WH	351	Ground
41	BN	1271	Low Reference
42	---	---	Not Used
43	D-BU/WH	878	Fuel Injector 8 Control
44	PK/BK	1746	Ignition 1 Voltage
45	TN	1274	5 Volt Reference
46	WH/BK	1164	5 Volt Reference
47	WH/BK	596	5 Volt Reference
48	TN	2917	5 Volt Reference
49 - 51	---	---	Not Used
52	L-BU	506	Glow Plug Signal
53	---	---	Not Used
54	PU	1272	Low Reference
55	L-BU	1162	APP Sensor 2 Signal

Pin	Wire Color	Circuit No.	Function
56	---	---	Not Used
57	OG	440	Battery Positive Voltage
58	D-GN	1049	ECM/PCM/VCM Class 2 Serial Data
59	---	---	Not Used
60	TN	413	HO2S Low Reference
61	PK/BK	632	Low Reference
62	L-GN	24	Backup Lamp Supply Voltage
63	BK	407	Low Reference
64	BK	552	Low Reference
65	GY	1273	Low Reference
66 - 69	---	---	Not Used
70	BN	1174	Oil Level Switch Signal
71	L-GN	488	PTO On Switch-Signal
72	L-GN	2081	Exhaust Brake Switch
73	BN/WH	633	CMP Sensor Signal
74	YE	410	ECT Sensor Signal
75	PK	1020	Off/Run/Crank Voltage
76	YE/BK	846	Fuel Injector 6 Control
77	RD/BK	877	Fuel Injector 7 Control
78	BN	5347	Intake Air Heater
79	GY/BK	2219	FICM Relay Control
80	GY	720	Low Reference

## LB7 Engine Control Module (ECM) Connector C-2

Connector	80-Way F Micro-Pack 100W Sealed (CL)
Typical Connector	12191488 (F)
Color	<b>CL</b>
Typical Terminal	12084912
Typical Cable Seal	12160845

Pin	Wire Color	Circuit No.	Function
1	BK/WH	351	Ground
2 - 3	--	--	Not Used
4	YE	447	Starter Relay Coil Control
5	--	--	Not Used
6	YE	505	Glow Plug Relay Control
7	PU	2656	Engine Exhaust Brake Restore Request
8	--	--	Not Used
9	D-GN/WH	465	Fuel Pump Relay Control - Primary
10	WH	121	Engine Speed Signal
11	--	--	Not Used
12	D-GN	1163	APP Sensor 3 Signal
13	YE	2522	PTO Feedback
14	L-GN	432	MAP Sensor Signal
15	BN	25	Charge Indicator Control
16	GY	397	Cruise Control On Switch Signal
17	D-GN/WH	762	A/C Request Signal
18	L-BU	1320	CHMSL Supply Voltage/Stop Lamp Supply Voltage
19	--	--	Not Used
20	D-GN	2222	Signal Low - Rear (ML6)
21	L-BU	2221	Signal High - Rear
22	--	--	Not Used
23	OG/BK	2919	Low Reference
24	D-BU	1161	APP Sensor 1 Signal
25	YE	1578	Fuel Temperature Signal
26 - 28	--	--	Not Used



*chart continued on next page*

## LB7 Engine Control Module (ECM) Connector C-2 (continued)

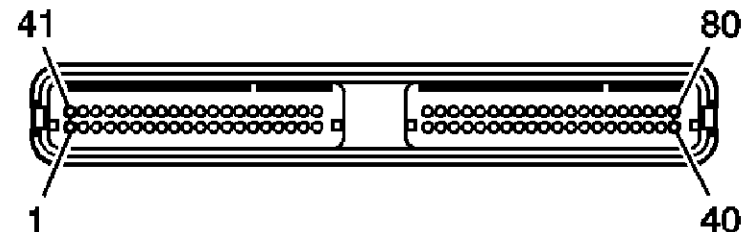
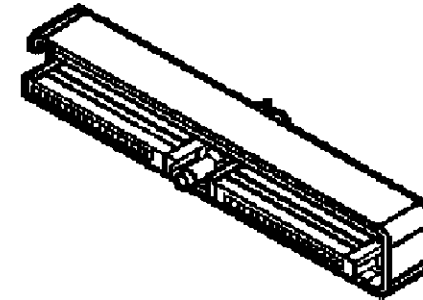
*chart continued from previous page*

Pin	Wire Color	Circuit No.	Function
29	GY	597	5 Volt Reference
30 - 33	---	---	Not Used
34	D-GN/WH	459	A/C Compressor Clutch Relay Control
35	---	---	Not Used
36	D-BU	507	Wait to Start Indicator Control
37	PU	2562	PTO Control
38	RD	2013	High Idle Indicator Control
39	RD	631	12 Volt Reference
40	BK/WH	351	Ground
41	GY/BK	2931	MAF Ground
42	PU/WH	2530	Fuel Pressure Regulator Solenoid Supply Voltage
43	---	---	Not Used
44	PK	339	Ignition 1 Voltage
45	---	---	Not Used
46	BN/WH	419	MIL Control
47 - 48	---	---	Not Used
49	YE/BK	1827	Vehicle Speed Signal
50	D-GN/WH	817	Vehicle Speed Signal
51	TN	472	IAT Sensor Signal
52	GY	23	Generator Field Duty Cycle Signal
53	---	---	Not Used

Pin	Wire Color	Circuit No.	Function
54	PU	1589	Fuel Level Sensor Signal - Primary
55	D-GN	603	Low Coolant Indicator Control
56	L-BU	494	Primary Brake Indicator Control
57	BK	470	Low Reference
58	YE	2918	FRP Sensor Signal
59	PU	420	TCC Brake Switch/Cruise Control Release Signal
60	BN	718	Low Reference
61	---	---	Not Used
62	PK	5349	Intake Heater
63	---	---	Not Used
64	GY/BK	433	BARO Sensor Signal
65	YE	492	MAF Sensor Signal
66 - 72	---	---	Not Used
73	D-BU	1936	Fuel Level Sensor Signal - Secondary
74 - 75	---	---	Not Used
76	L-BU	2832	Engine Speed Signal
77	YE	2834	Fuel Pressure Regulator Solenoid Control
78	OG/BK	1057	Low Reference
79 - 80	---	---	Not Used

## Powertrain Control Module (PCM) Connector C-1

Connector	80-Way F Micro-Pack 100W Sealed (BLU)		
Typical Connector Color	12191489 (F) <b>BLU</b>		
Typical Terminal Cable Seal	12084912 12160845		
Pin	Wire Color	Circuit No.	Function
1	BLK/WHT	451	Ground
2	LT GRN	1867	12 Volt Reference
3	PNK/BLK	1746	Fuel Injector 3 Control
4	LT GRN/BLK	1745	Fuel Injector 2 Control
5 - 6	---	---	Not Used
7	GRY	2705	5 Volt Reference
8 - 10	---	---	Not Used
11	LT BLU	1876	Knock Sensor 2 Signal
12	DK BLU/WHT	1869	CKP Sensor Signal
13	ORN/BLK	463	Requested Torque Signal
14	ORN/BLK	1061	UART Serial Data
15	DK BLU/WHT	774	UART Serial Data
16 - 17	---	---	Not Used
18	DK GRN	1433	Clutch Start Switch Signal (M/T)
19	PNK	439	Ignition 1 Voltage
20	ORN	440	Battery Positive Voltage
21	YEL/BLK	1868	Low Reference
22	LT GRN	488	PTO Enable Switch (w/PTO)
23	BLK	470	Low Reference
24	BLK/WHT	451	Ground
25	TAN	1671	HO2S Low Signal Bank 2 Sensor 2 (w/NC1)
26	TAN	1677	HO2S Low Signal Bank 2 Sensor 1
27	BLK/WHT	451	Ground



*chart continued on next page*

## Powertrain Control Module (PCM) Connector C-1 (continued)

chart continued from previous page

Pin	Wire Color	Circuit No.	Function
28	TAN	1669	HO2S Low Signal Bank 1 Sensor 2 (w/NC1)
29	TAN	1664	HO2S Low Signal Bank 1 Sensor 1
30	LT GRN	1478	Coolant Level Switch Signal
31 - 32	---	---	Not Used
33	PPL	420	TCC Brake Switch/Cruise Control Release Signal
34	ORN/BLK	1786	Park/Neutral Signal (Allison Transmission Only)
35	GRY	48	CPP Switch Signal (M/T)
36	BLK	1744	Fuel Injector 1 Control
37	YEL/BLK	846	Fuel Injector 6 Control
38	---	---	Not Used
39	YEL/BLK	625	Starter Enable Relay Control
40	BLK/WHT	451	Ground
41	PPL	719	Low Reference
42	---	---	Not Used
43	RED/BLK	877	Fuel Injector 7 Control
44	LT BLU/BLK	844	Fuel Injector 4 Control
45	GRY	2700	5 Volt Reference
46	GRY	474	5 Volt Reference
47	GRY	596	5 Volt Reference
48	GRY	597	5 Volt Reference
49 - 50	---	---	Not Used
51	DK BLU	496	Knock Sensor 1 Signal
52	YEL	2522	PTO Status (w/PTO)
53	---	---	Not Used
54	ORN/BLK	469	Low Reference
55	BRN	1456	EGR Valve Position Signal

Pin	Wire Color	Circuit No.	Function
56	---	---	Not Used
57	ORN	440	Battery Positive Voltage
58	DK GRN	1049	PCM Class 2 Serial Data
59	YEL	710	Class 2 Serial Data
60	---	---	Not Used
61	PNK/BLK	632	Low Reference
62	---	---	Not Used
63	BLK	2755	Low Reference
64	BLK/WHT	451	Ground
65	PPL	1670	HO2S High Signal Bank 2 Sensor 2 (w/NC1)
66	PPL	1666	HO2S High Signal Bank 2 Sensor 1
67	BLK/WHT	451	Ground
68	PPL/WHT	1668	HO2S High Signal Bank 1 Sensor 2 (w/NC1)
69	PPL/WHT	1665	HO2S High Signal Bank 1 Sensor 1
70	BRN	1174	Oil Level Switch Signal
71	LT BLU	494	PTO Engine Kill (w/PTO)
72	---	---	Not Used
73	BRN/WHT	633	CMP Sensor Signal
74	YEL	410	ECT Sensor Signal
75	PNK	1020	Off/Run/Crank Voltage
76	BLK/WHT	845	Fuel Injector 5 Control
77	DK BLU/WHT	878	Fuel Injector 8 Control
78	PPL	2562	PTO Engage (w/PTO)
79	---	---	Not Used
80	BLK	407	Low Reference



## Powertrain Control Module (PCM) Connector C-2

Connector	80-Way F Micro-Pack 100W Sealed (RED)
Typical Connector Color	12191488 (F) <b>RED</b>
Typical Terminal	12084912
Typical Cable Seal	12160845

Pin	Wire Color	Circuit No.	Function
1	BLK/WHT	451	Ground
2	WHT	2467	Torque Response Reply Signal (Allison Transmission Only)
3	TAN	1465	Fuel Pump Relay Control - Secondary
4	---	---	Not Used
5	TAN/BLK	464	Delivered Torque Signal (Allison Transmission Only)
6	---	---	Not Used
7	RED	1676	EGR Valve Supply Voltage
8	---	---	Not Used
9	DK GRN/WHT	465	Fuel Pump Relay Control
10	WHT	121	Engine Speed Signal
11	---	---	Not Used
12	DK BLU	2466	Trans MIL Request Signal (Allison Transmission Only)
13	---	---	Not Used
14	RED/BLK	380	A/C Refrigerant Pressure Sensor Signal
15	BRN	25	Charge Indicator Control
16	GRY/BLK	1694	4WD Low Signal (w/4WD)
17 - 18	---	---	Not Used
19	BLK/WHT	1695	Axle Switch Signal (w/NP2)
20	LT GRN/BLK	822	VSS Low Signal
21	PPL/WHT	821	VSS High Signal (Except Allison Transmission)
	YEL	400	Signal High - Front (Allison Transmission Only)

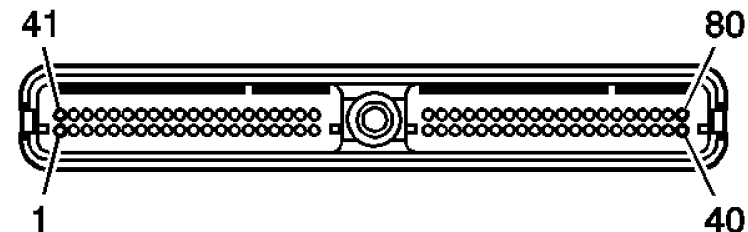
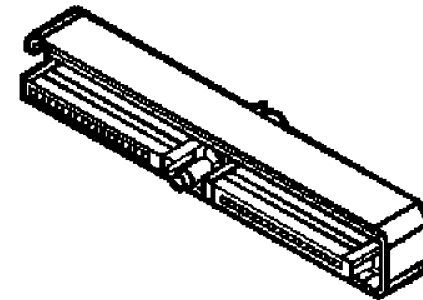


chart continued on next page

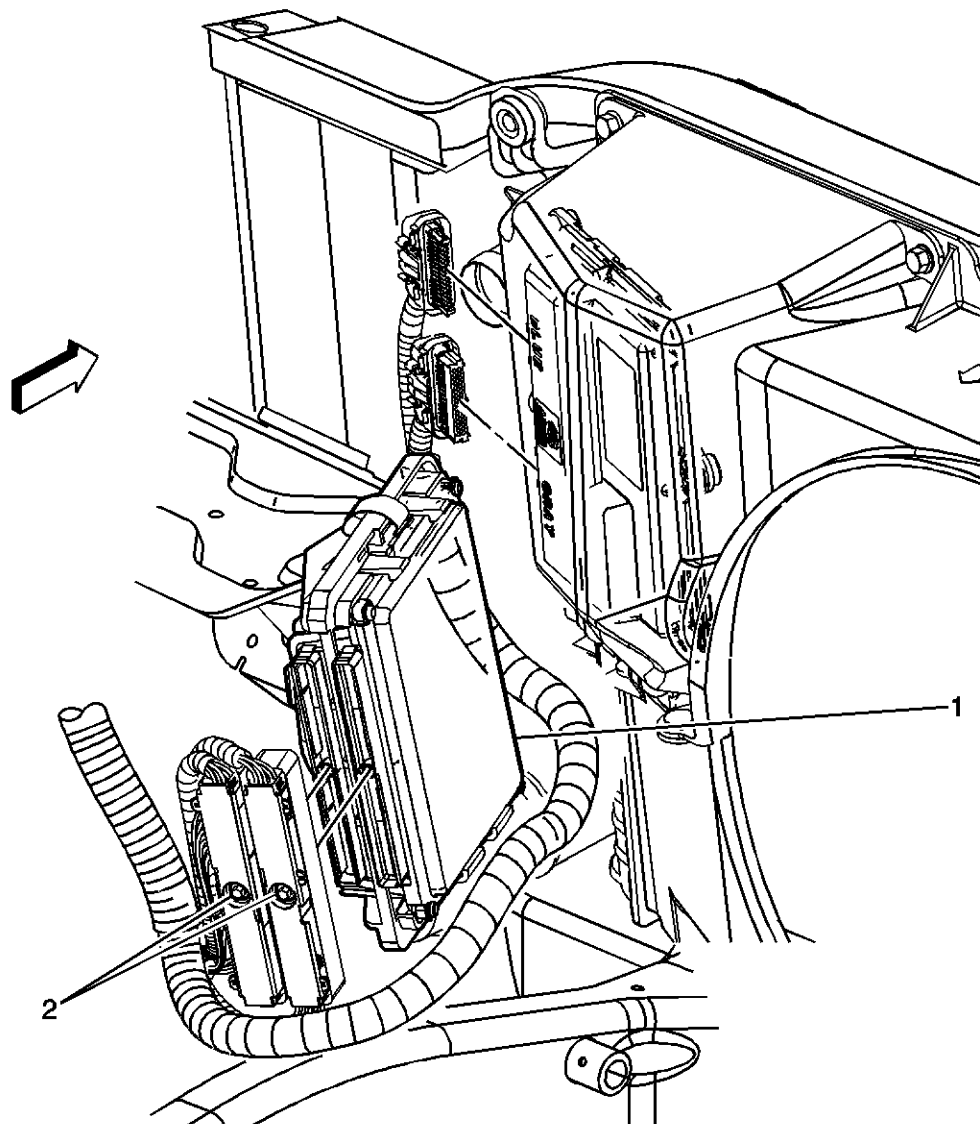
## Powertrain Control Module (PCM) Connector C-2 (continued)

*chart continued from previous page*

Pin	Wire Color	Circuit No.	Function
22 - 24	---	---	Not Used
25	TAN	472	IAT Sensor Signal
26	PPL	2121	IC 1 Control
27	RED	2127	IC 7 Control
28	LT BLU/WHT	2126	IC 6 Control
29	DK GRN/ WHT	2124	IC 4 Control
30	---	---	Not Used
31	YEL	492	MAF Sensor Signal
32	LT GRN	432	MAP Sensor Signal
33	---	---	Not Used
34	DK GRN/ WHT	428	EVAP Canister Purge Solenoid Control
35 - 38	---	---	Not Used
39	RED	631	12 Volt Reference
40	BLK/WHT	451	Ground
41	WHT	257	EGR Solenoid Control
42	---	---	Not Used
43	DK GRN/ WHT	459	A/C Compressor Clutch Relay Control
44	---	---	Not Used
45	WHT	1310	EVAP Canister Vent Solenoid Control
46	BRN/WHT	419	MIL Control
47 - 48	---	---	Not Used
49	YEL/BLK	1827	Vehicle Speed Signal
50	DK GRN/ WHT	817	Vehicle Speed Signal

Pin	Wire Color	Circuit No.	Function
51	---	---	Not Used
52	BRN	2391	HO2S Heater Low Control Bank 1 Sensor 2 (W/NC1)
53	RED/WHT	3223	HO2S Heater Low Control Bank 2 Sensor 2 (W/NC1)
54	PPL	1589	Fuel Level Sensor Signal
55 - 56	---	---	Not Used
57	BLK	552	Low Reference
58	TAN/WHT	332	Oil Pressure Sensor Signal
59	PPL	806	Crank Voltage
60	BRN	2129	Low Reference
61	BRN/WHT	2130	Low Reference
62 - 63	---	---	Not Used
64	DK GRN	890	Fuel Tank Pressure Sensor Signal
65	---	---	Not Used
66	PPL/WHT	2128	IC 8 Control
67	RED/WHT	2122	IC 2 Control
68	DK GRN	2125	IC 5 Control
69	LT BLU	2123	IC 3 Control
70 - 71	---	---	Not Used
72	BLK/WHT	3122	HO2S Heater Low Control Bank 1 Sensor 2 (w/NC1)
73	DK BLU	1936	Fuel Level Sensor Signal - Secondary
74	LT GRN/WHT	3213	HO2S Heater Low Control Bank 2 Sensor 1
75-79	---	---	Not Used
80	BLK	2751	Low Reference

## Engine Control Module (ECM) / Powertrain Control Module (PCM) Location

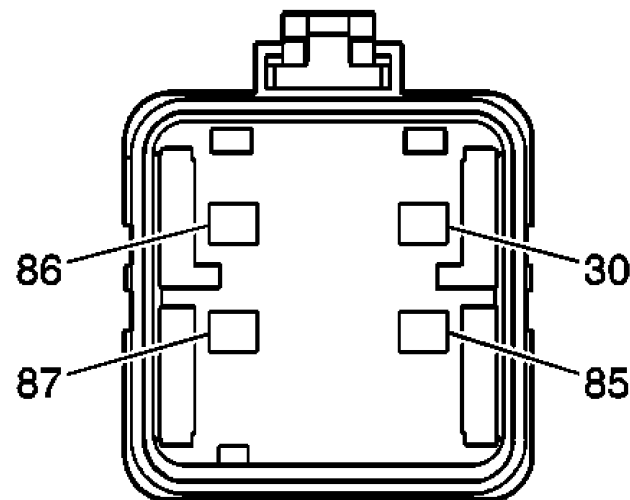
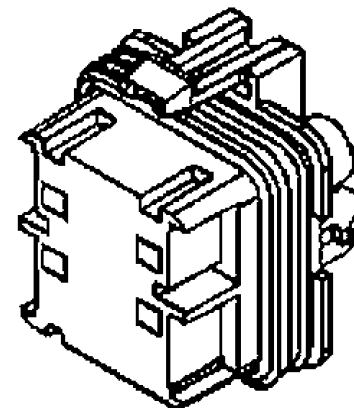


- (1) Engine Control Module (ECM) / Powertrain Control Module (PCM)
- (2) ECM/PCM Connector C-1 and C-2

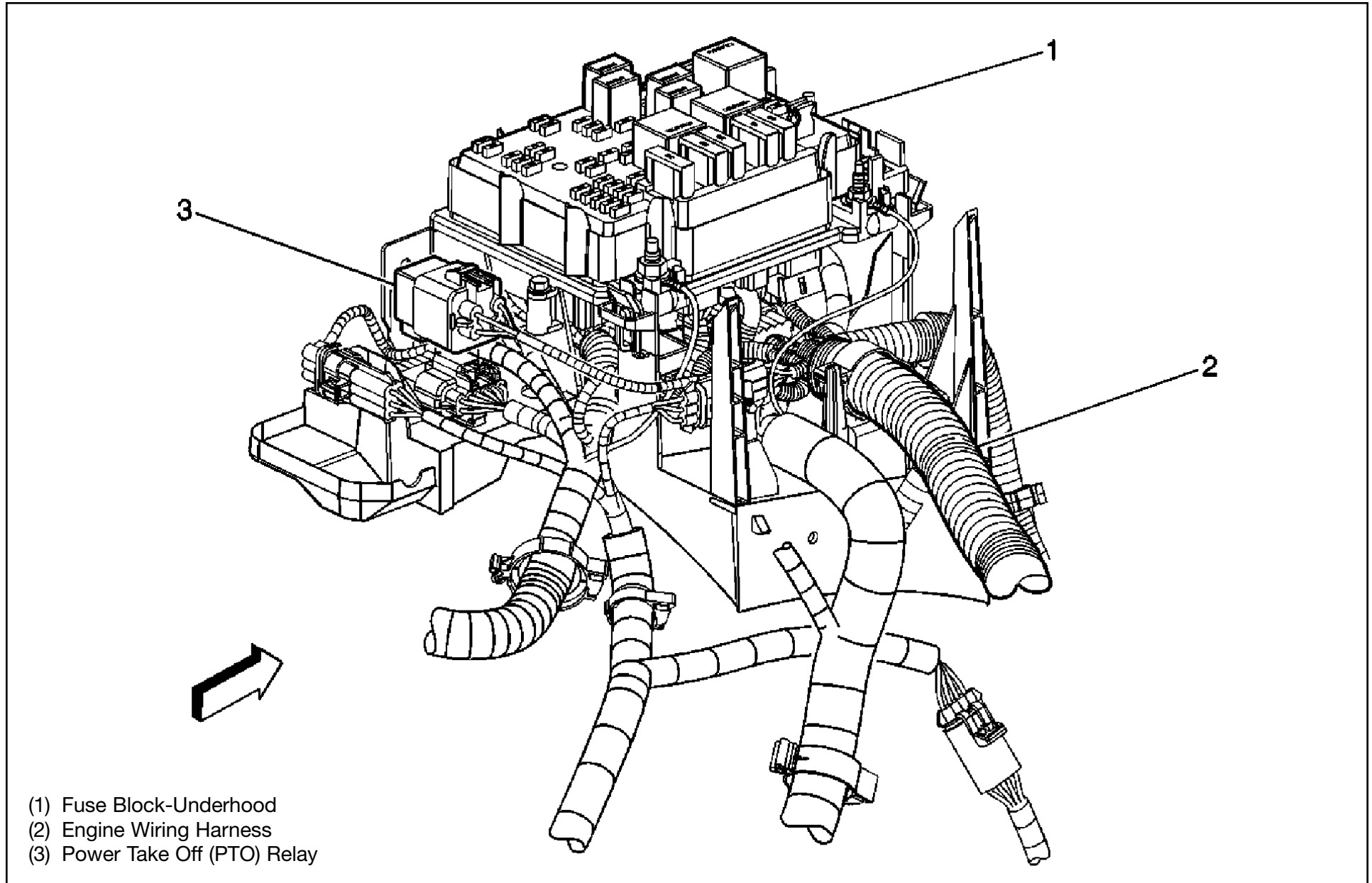
## Power Take Off (PTO) Relay Connector

Connector	4-Way F Metri-Pack 280 FLX LK (MD GRY)		
Typical Connector	12129716 (F)		
Color	<b>MD GRY</b>		
Typical Terminal	12129409		
Typical Cable Seal	12015323		

Pin	Wire Color	Circuit No.	Function
30	ORN	3440	Battery Positive Voltage
85	LT GRN	488	Power Take Off Switch - Output - Enable
86	PPL	2562	PTO Engage
87	WHT	2561	PTO Signal



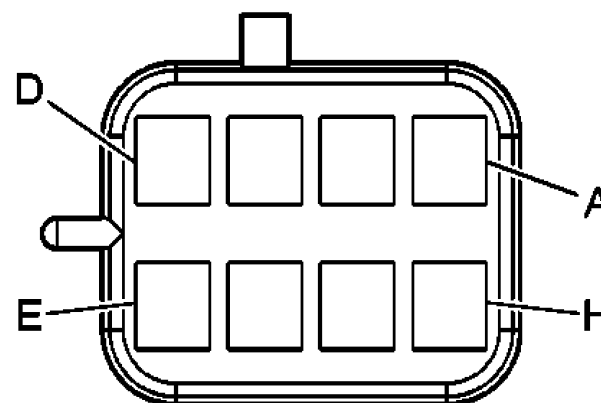
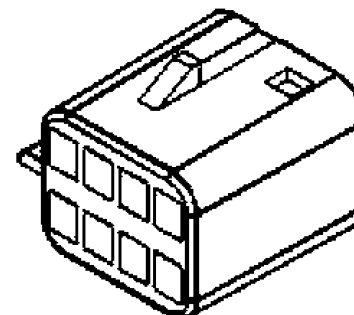
## Power Take Off (PTO) Relay Location



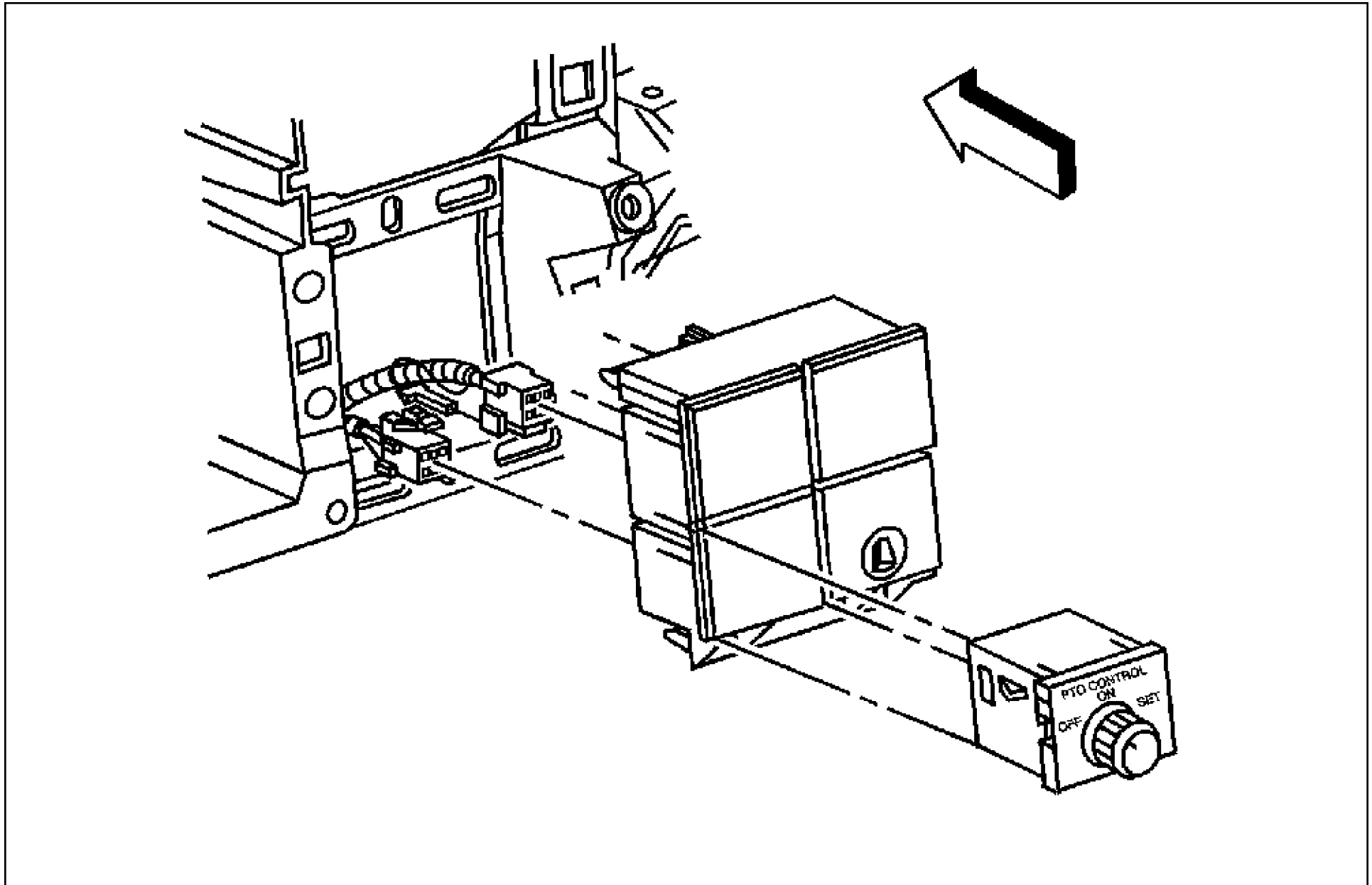
## Power Take Off (PTO) Switch Connector

Connector	8-Way F Metri-Pack 150 Series (LT GRY)
Typical Connector	12186098 (F)
Color	<b>LT GRY</b>
Typical Terminal	12047767
Typical Cable Seal	n/a

Pin	Wire Color	Circuit No.	Function
A	BRN	41	Ignition 3 Voltage
B	LT GRN	488	Power Take Off Switch – Output – Enable
C	GRY	8	Instrument Panel Lamp Supply Voltage – 1
D	GRY	397	Cruise Control On Switch Signal
E	YEL	2522	PTO Status Signal
F	BLK	1850	Ground
G	DK BLU	84	Cruise Control Set/Coast Switch Signal
H	PPL/WHT	1382	LED Dimming Signal



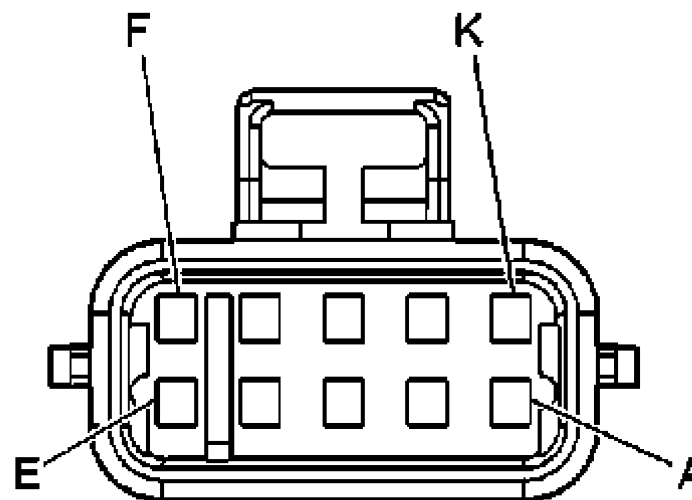
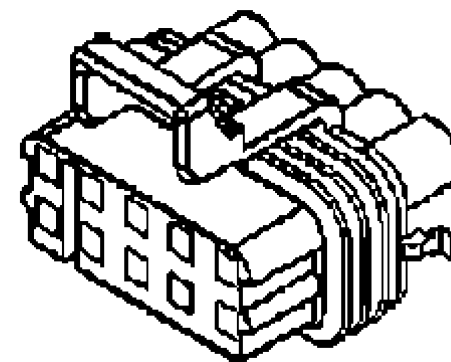
## Power Take Off (PTO) Switch Connector Location



## Power Take Off (PTO) Interface Connector

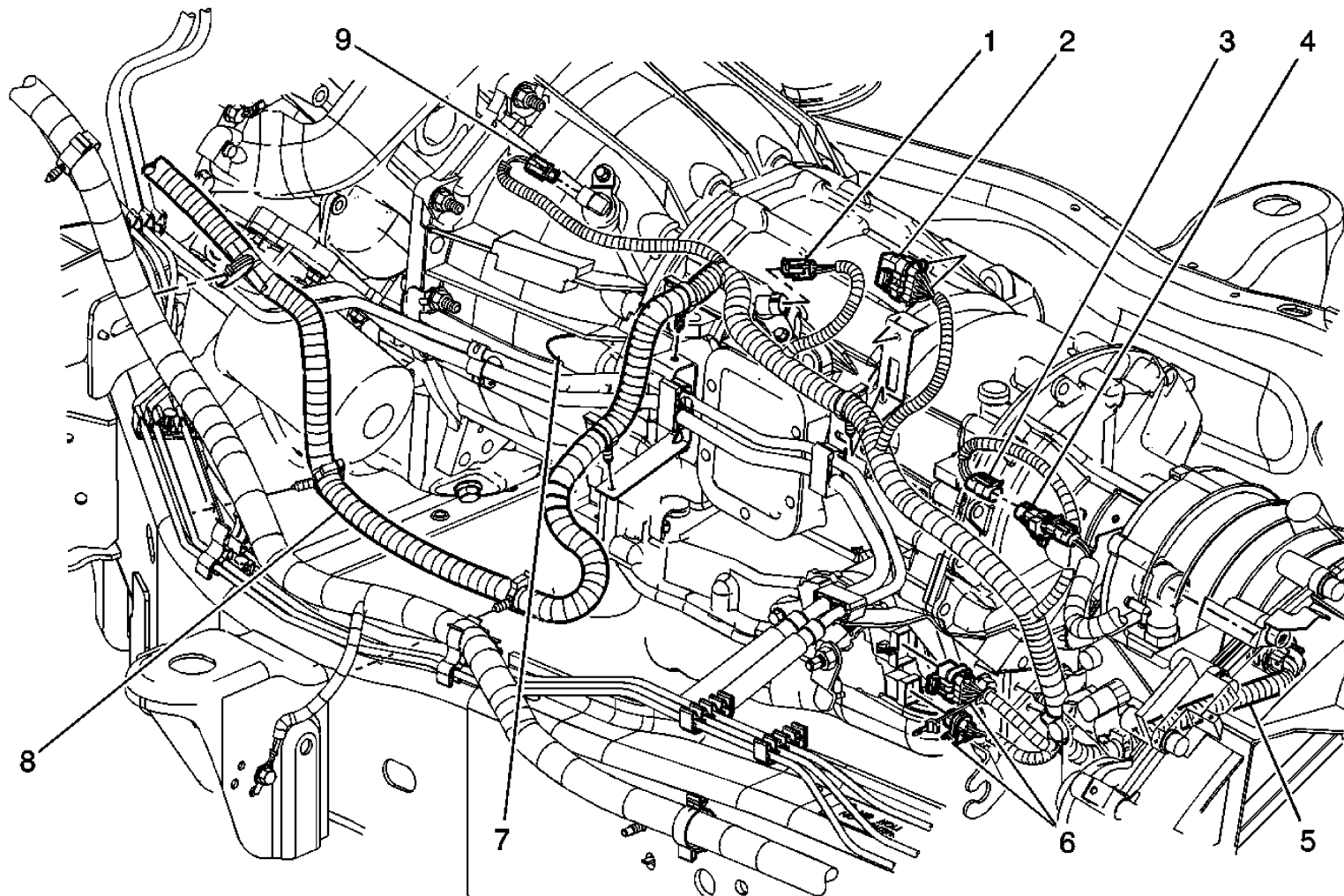
		TRUCK SIDE	BODY BUILDER SIDE
Connector		10-Way Metri-Pack	150 Series Sealed
Typical Connector		12177081 (F)	12045808 (M)
Color		<b>NAT</b>	<b>BLK</b>
Typical Terminal		12191817	12177150
Typical Cable Seal		15305172	15324973
Pin	Wire Color	Circuit No.	Function
A	--	--	Not Used
B	LT BLU	494	Power Take Off – Engine Shutdown Signal
C	LT GRN	488	Power Take Off – Enable Switch
D	BLK	550	Ground
E	--	--	Not Used
F	--	--	Not Used
G	YEL	2522	Power Take Off – Status (Feedback)
H	WHT	2561	PTO Relay Switch Control Signal
J	DK BLU	84	Cruise Control Set/Coast Switch

This part includes a Cover: PN 12129589





## Power Take Off (PTO) Interface Connector Location



- (1) Turbine Sensor Harness Connector
- (2) Power Take-Off (PTO) Connector**
- (3) Output Speed Sensor Harness Connector
- (4) Transfer Case Selector Shift Control Switch
- (5) Transmission Connector Harness

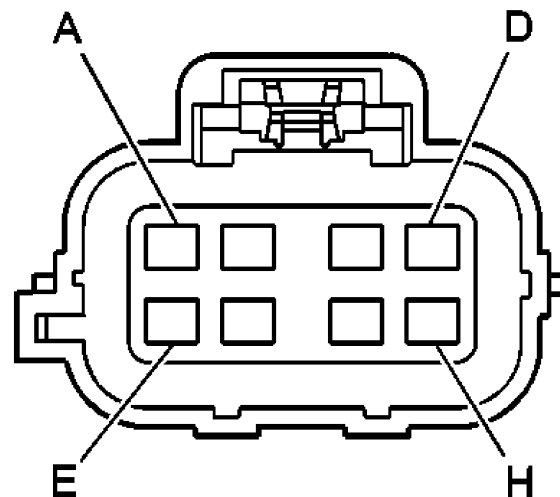
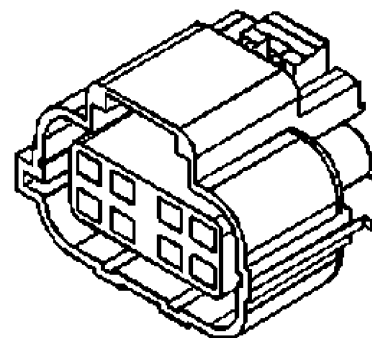
- (6) Park/Neutral Position (PNP) Switch Connectors
- (7) Allison Transmission
- (8) Engine Harness
- (9) Automatic Transmission Input Shaft Speed (ISS) Sensor

## Rear Lamps – Junction Block

### C-1 – Rear Chassis Harness Connector

Connector	8-Way F Global Tech 280 Series (BLU)		
Typical Connector Color	15305595 (F) <b>BLU</b>		
Typical Terminal	15304716		
Typical Cable Seal	15366061		

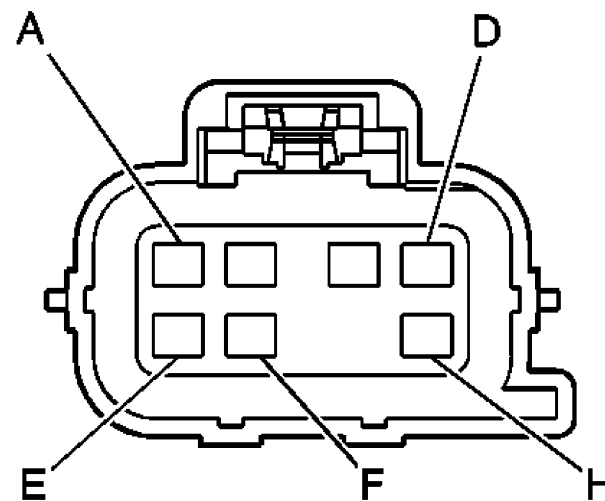
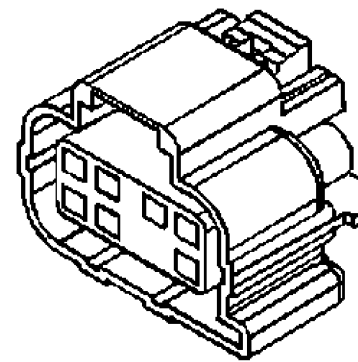
Pin	Wire Color	Circuit No.	Function
A	LT BLU	2114	Left Turn Signal Lamps Supply Voltage
B	LT BLU	1320	CHMSL Supply Voltage
C	LT GRN	24	Backup Lamp Supply Voltage
D	BRN/WHT	2609	Right Rear Park Lamps Supply Voltage
E	BLK	1550	Ground (30 Series Except Chassis Cab)
		1650	Ground (30 Series Chassis Cab)
		1750	10/20 Series
F	--	--	Not Used
G	BRN	2509	Left Rear Park Lamps Supply Voltage
H	DK BLU	2115	Right Turn Signal Lamps Supply Voltage



## Rear Lamps – Junction Block C-2 – Left Tail Lamp Connector

Connector	7-Way F Global Tech 280 Series (GRY)		
Typical Connector	15305596 (F)		
Color	<b>GRY</b>		
Typical Terminal	15304716		
Typical Cable Seal	15366061		

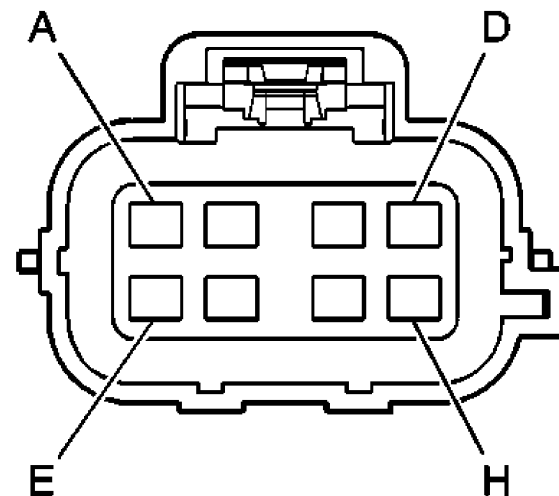
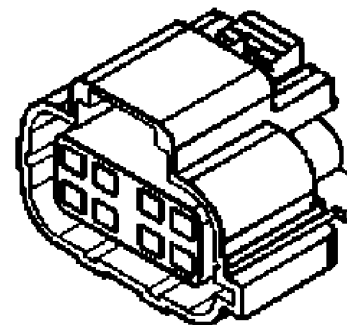
Pin	Wire Color	Circuit No.	Function
A	BLK	1750	Ground
B	BLK	1750	Ground (Only)
C	BLK	1750	Ground
D	LT BLU	1320	CHMSL Supply Voltage
E	BRN	2509	Left Rear Park Lamps Supply Voltage
F	LT GRN	24	Backup Lamp Supply Voltage
H	LT BLU	2114	Left Turn Signal Lamps Supply Voltage



## Rear Lamps – Junction Block C-3 – License Plate Connector

Connector	8-Way F Global Tech 280 Series (BRN)		
Typical Connector Color	15305599 (F) <b>BRN</b>		
Typical Terminal	15304716		
Typical Cable Seal	15366061		

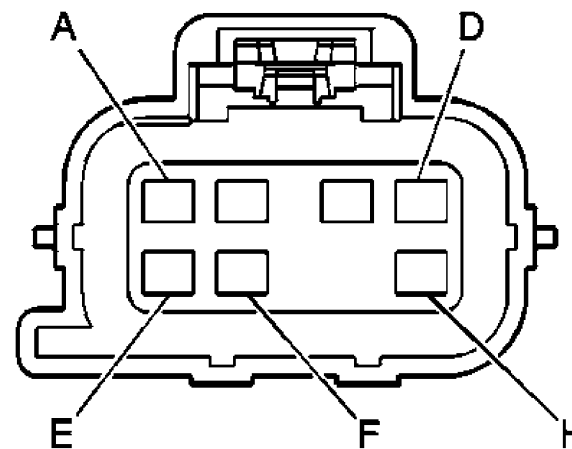
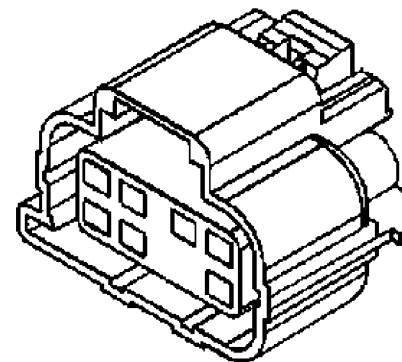
Pin	Wire Color	Circuit No.	Function
A	BRN/WHT	2609	Right Rear Park Lamps Supply Voltage
B	--	--	Not Used
C	BLK	1750	Ground (GMC Only)
D	BLK	1750	Ground (GMC Only)
E	BLK	1750	Ground (Chevy)
F	--	--	Not Used
G	BRN	2509	Left Rear Park Lamps Supply Voltage
H	BLK	1750	Ground



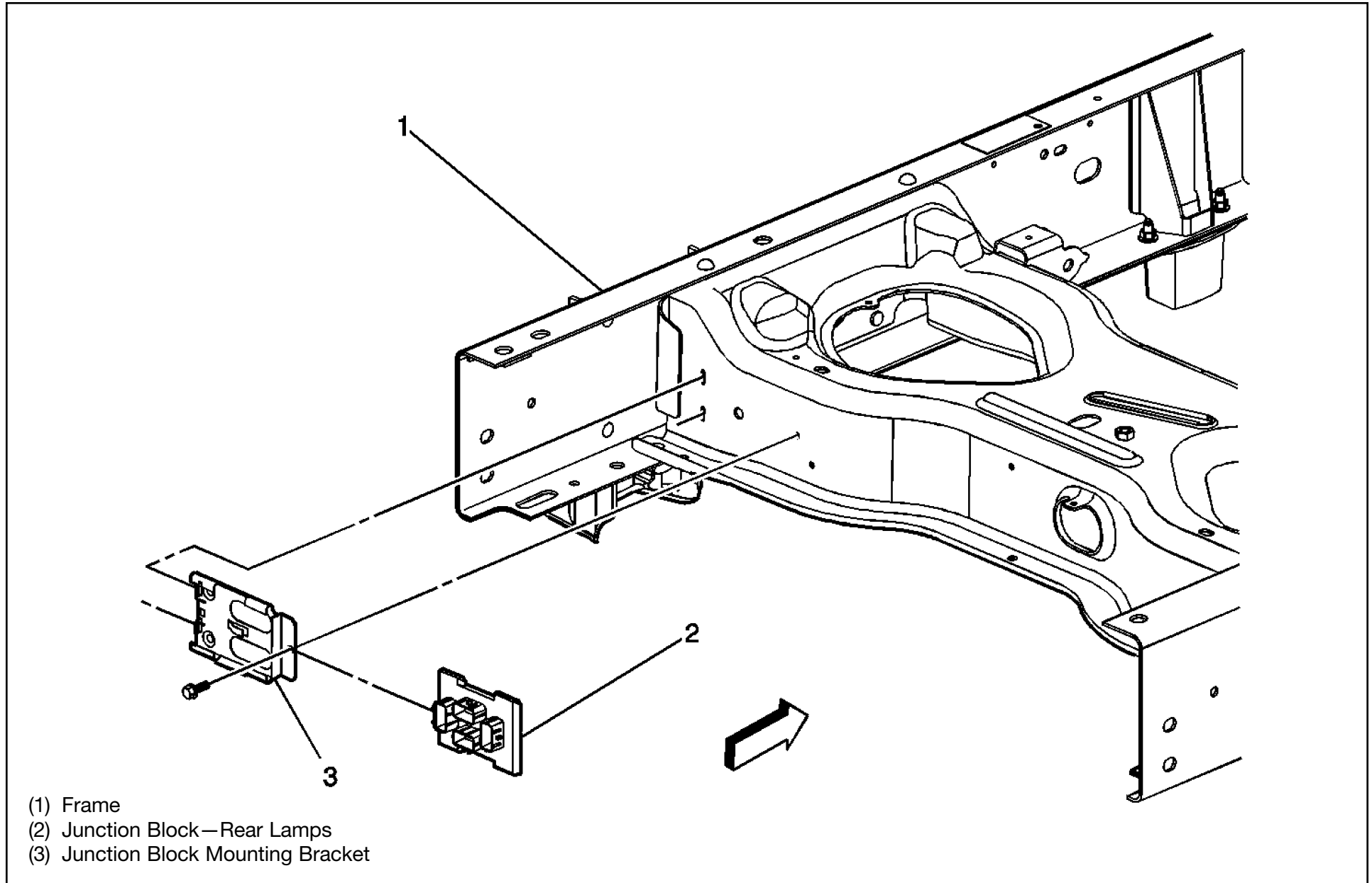
## Rear Lamps – Junction Block C-4 – Right Tail Lamp Connector

Connector	7-Way F Global Tech 280 Series (BLK)		
Typical Connector	15305597 (F)		
Color	<b>BLK</b>		
Typical Terminal	15304716		
Typical Cable Seal	15366061		

Pin	Wire Color	Circuit No.	Function
A	LT BLU	1320	CHMSL Supply Voltage
B	BRN/WHT	2609	Right Rear Park Lamps Supply Voltage
C	BLK	1750	Ground
D	BLK	1750	Ground
E	LT GRN	24	Backup Lamp Supply Voltage
F	DK BLU	2115	Right Turn Signal Lamps Supply Voltage
H	BLK	1750	Ground



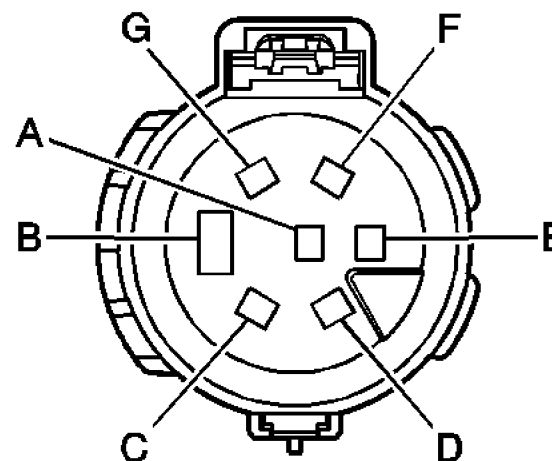
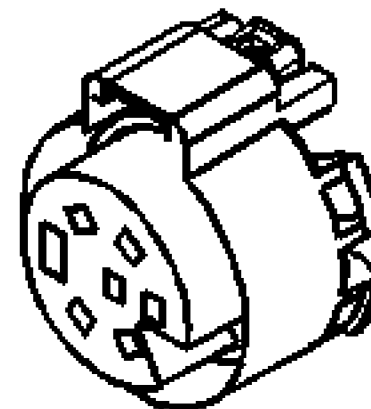
## Rear Lamps – Junction Block Location



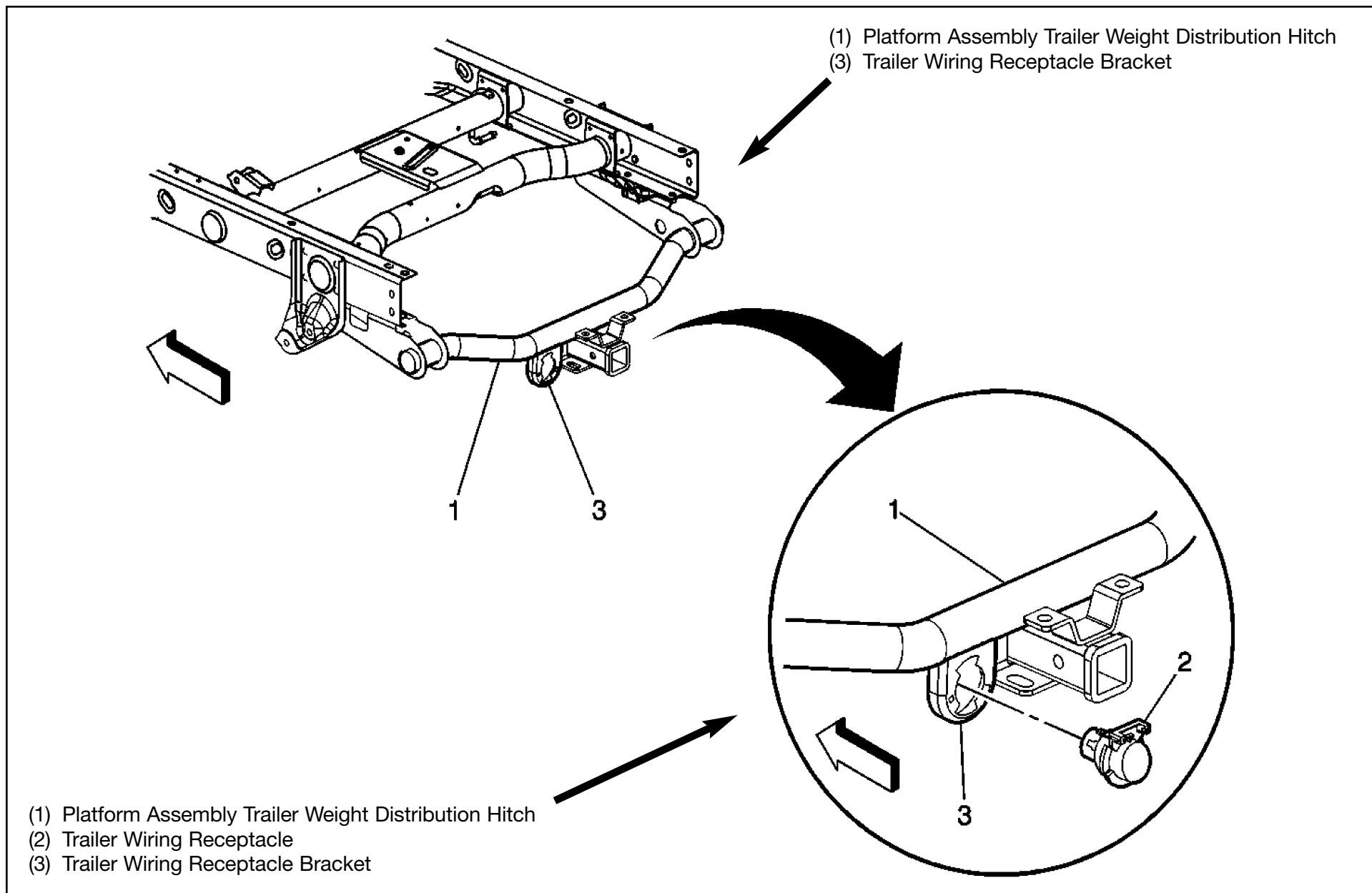
## Trailer Connector

Connector	7-Way F Metri-Pack 280 Sealed (BLK)
Typical Connector	15354653
Color	<b>BLK</b>
Typical Terminal	n/a
Typical Cable Seal	n/a

Pin	Wire Color	Circuit No.	Function
A	LT GRN	1624	Trailer Backup Lamps Supply Voltage
B	BLK	1750	Ground
C	DK BLU	47	Trailer Auxiliary Supply Voltage
D	DK GRN	1619	Trailer Right Rear Turn/Stop Lamp Supply Voltage
E	RED	742	Battery Positive Voltage
F	BRN	2109	Trailer Park Lamps Supply Voltage
G	YEL	1618	Trailer Left Rear Turn/Stop Lamp Supply Voltage



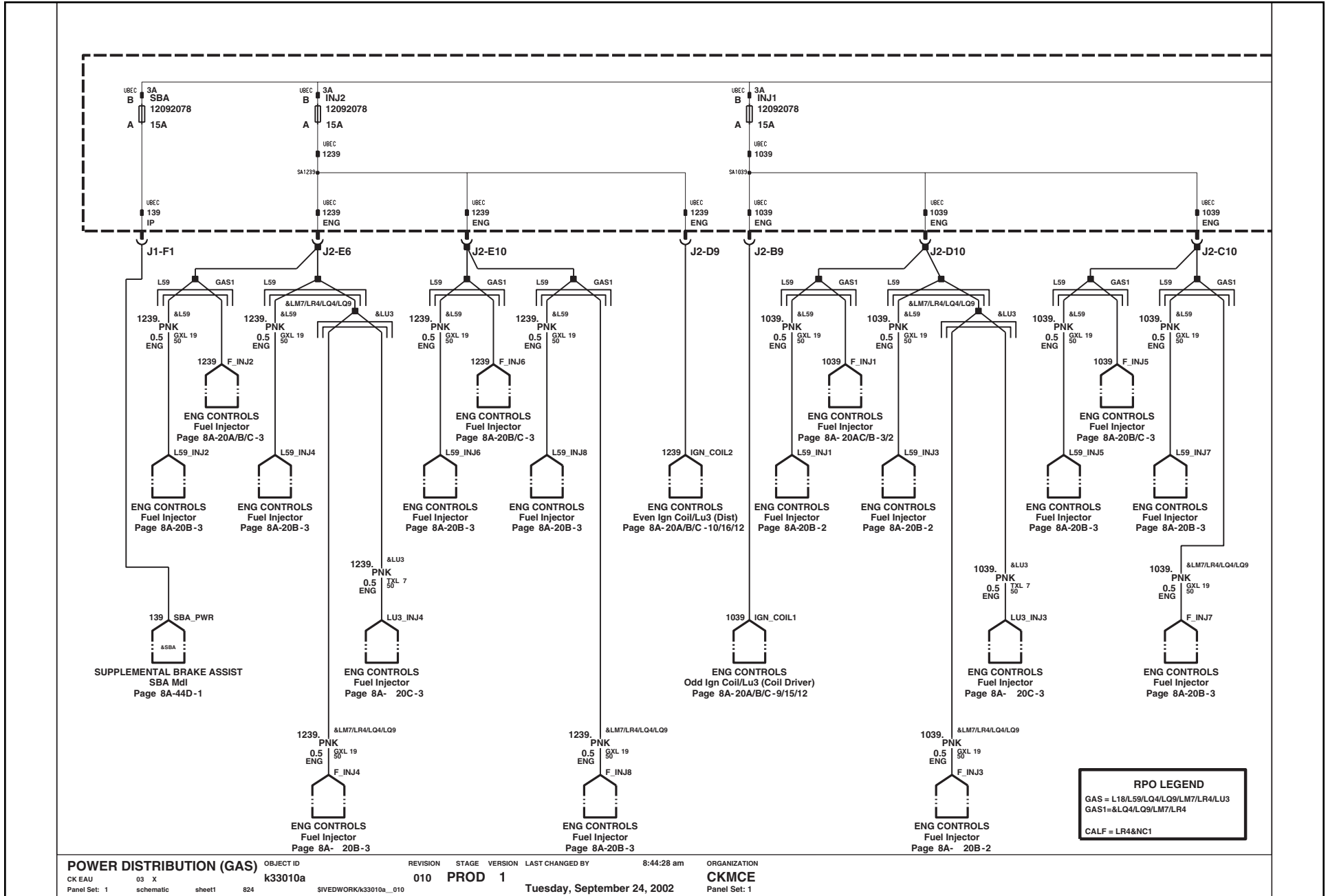
## Trailer Connector Location



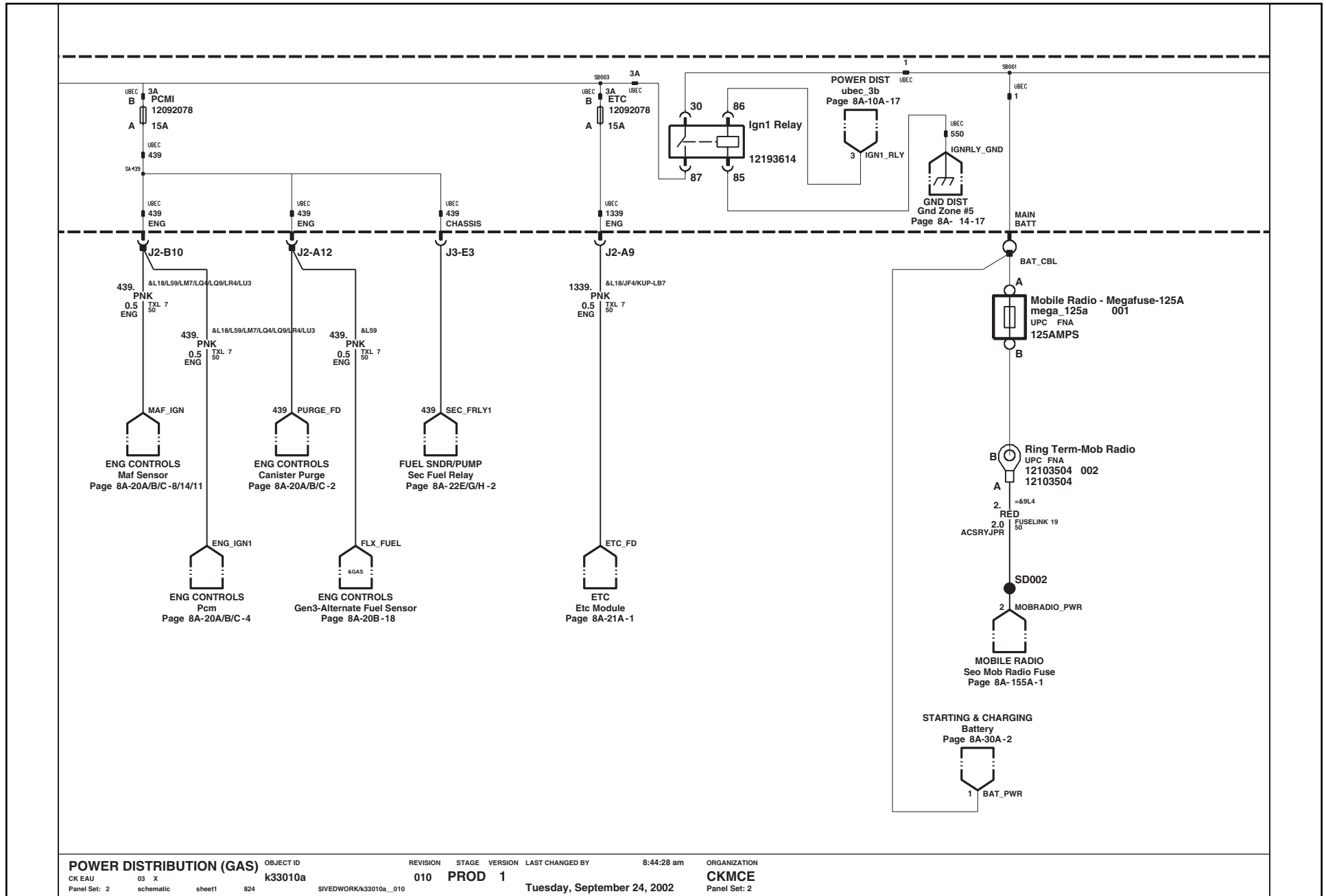


# 2003 & BEYOND LIGHT DUTY C/K FULL-SIZE TRUCK ELECTRICAL

## Power Distribution: Gas

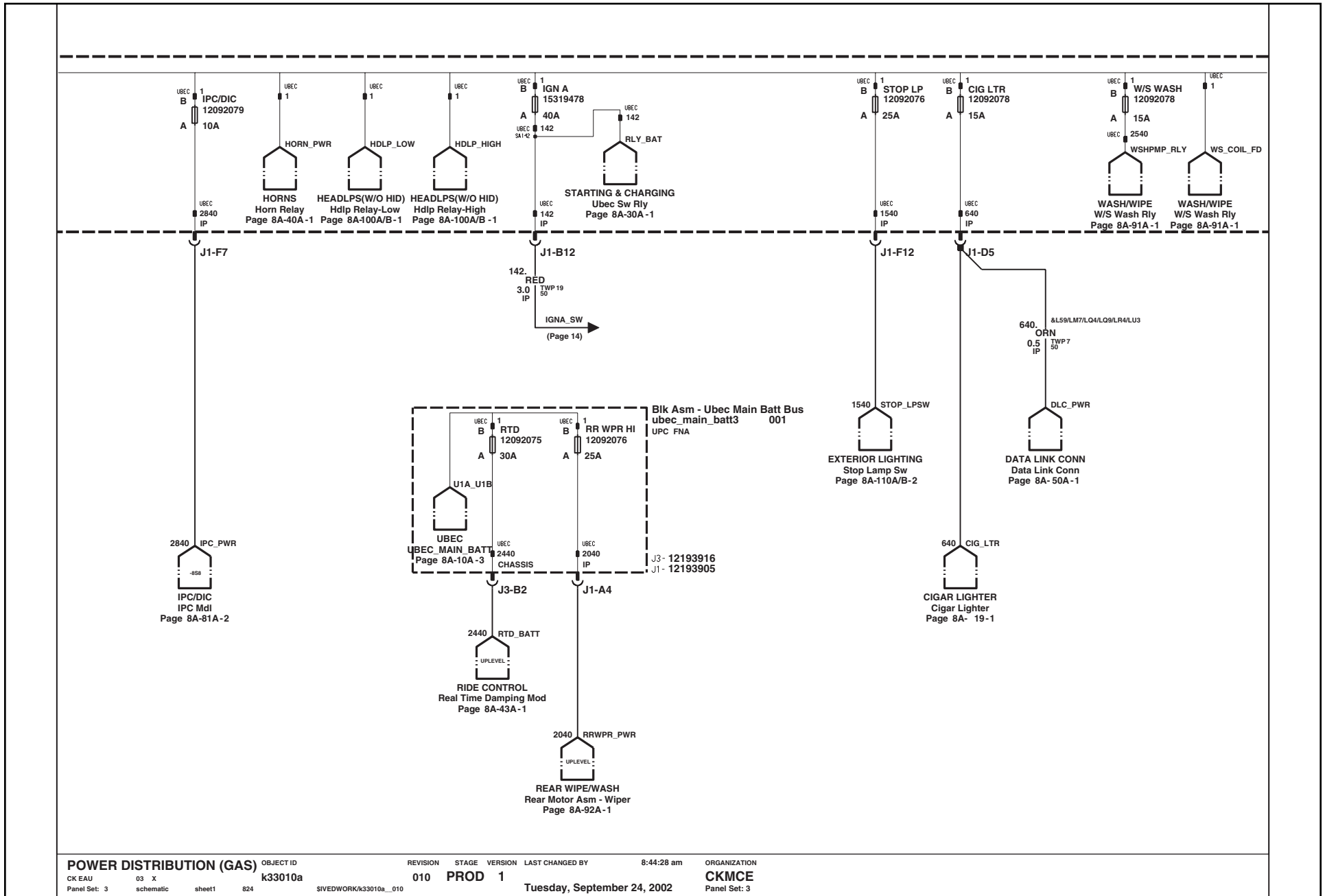


## Power Distribution: Gas



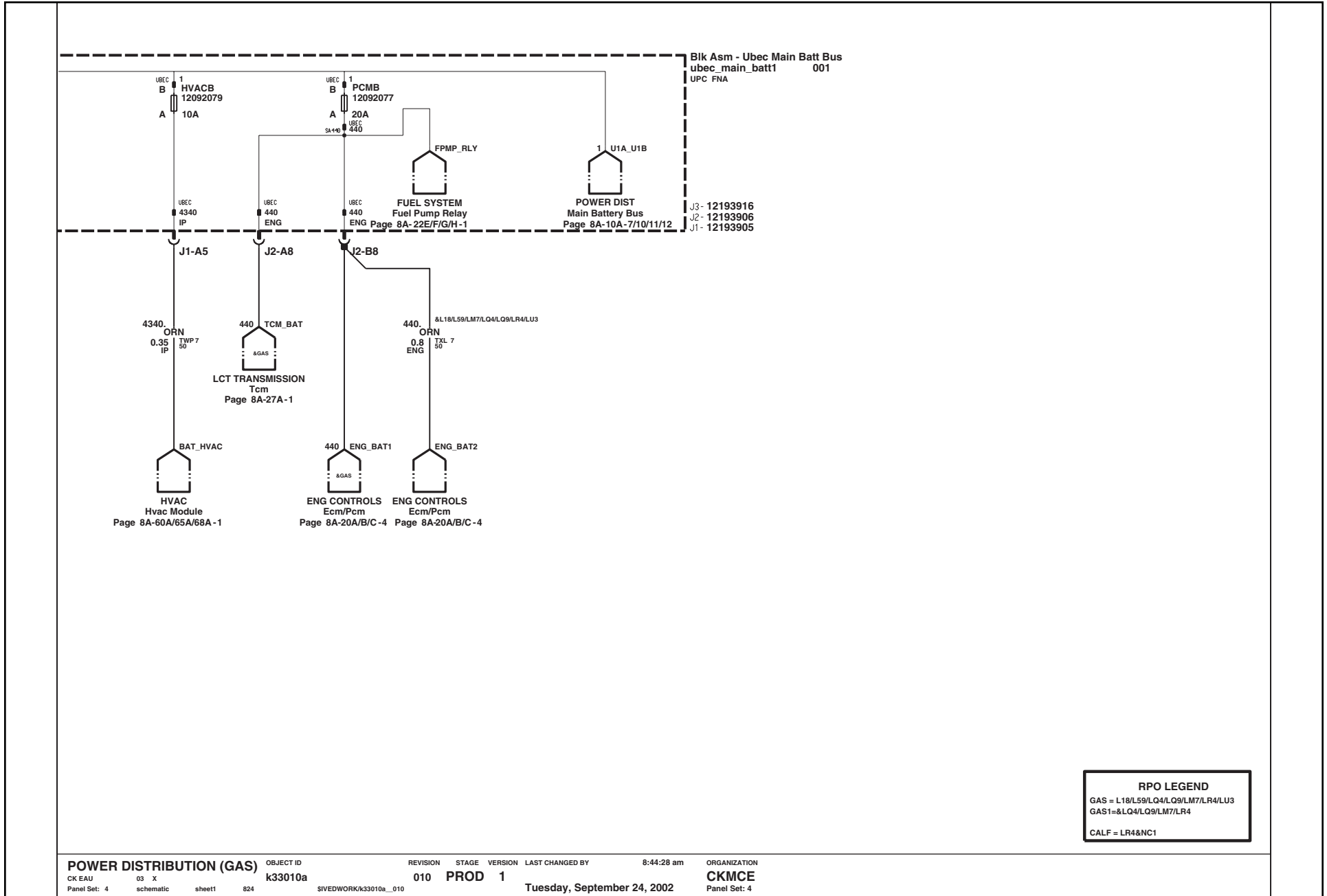
# 2003 & BEYOND LIGHT DUTY C/K FULL-SIZE TRUCK ELECTRICAL

## Power Distribution: Gas

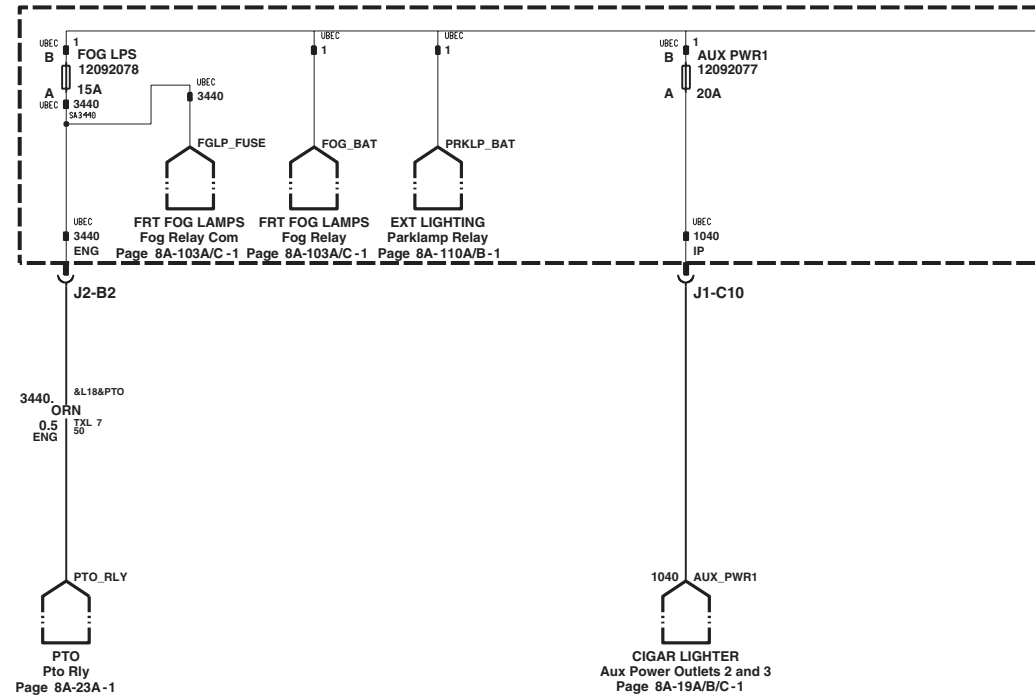


POWER DISTRIBUTION (GAS)		OBJECT ID	REVISION	STAGE	VERSION	LAST CHANGED BY	8:44:28 am	ORGANIZATION
CK EAU	03 X	k33010a	010	PROD	1			CKMCE
Panel Set: 3	schematic	sheet1	824			Tuesday, September 24, 2002		Panel Set: 3

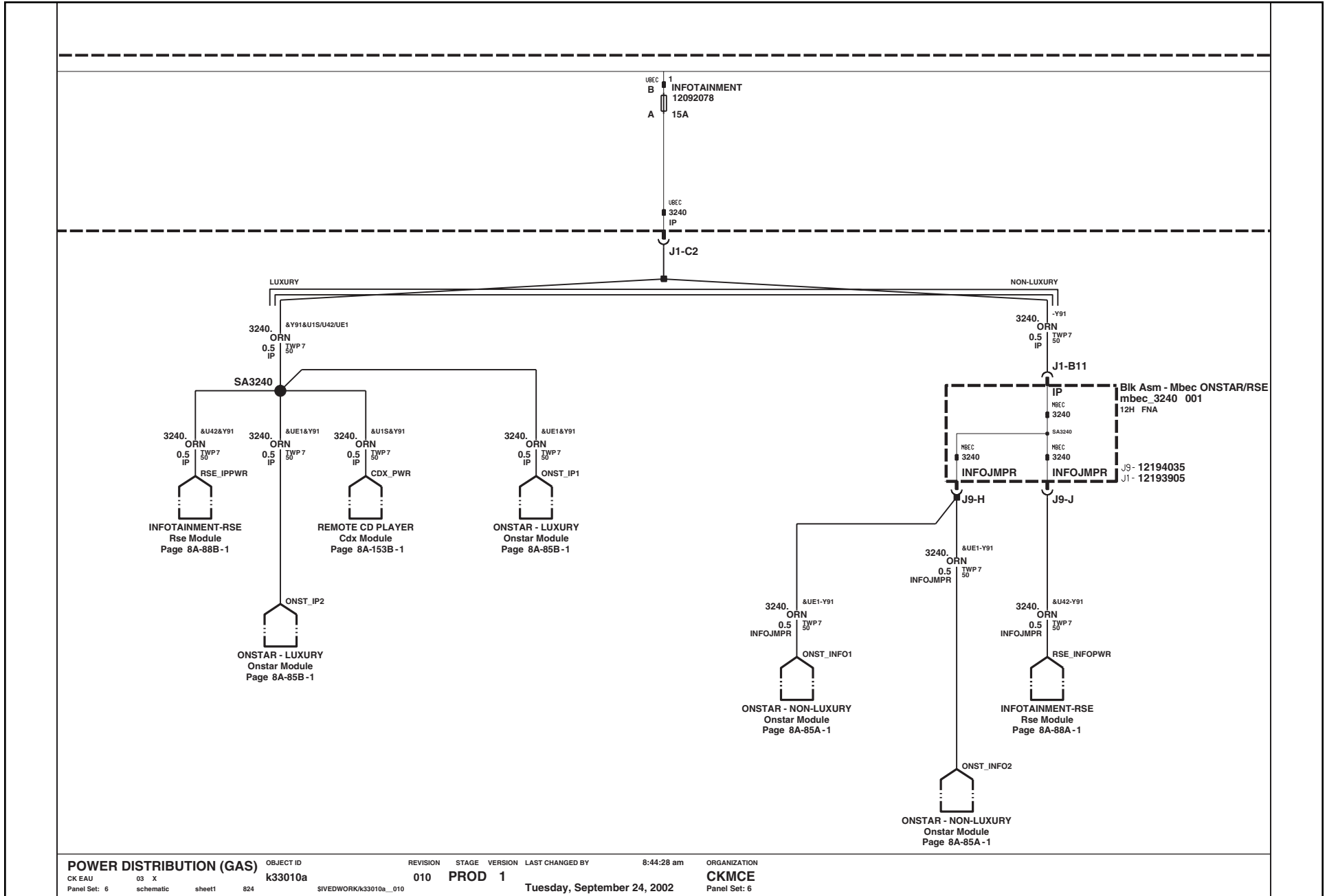
## Power Distribution: Gas



## Power Distribution: Gas

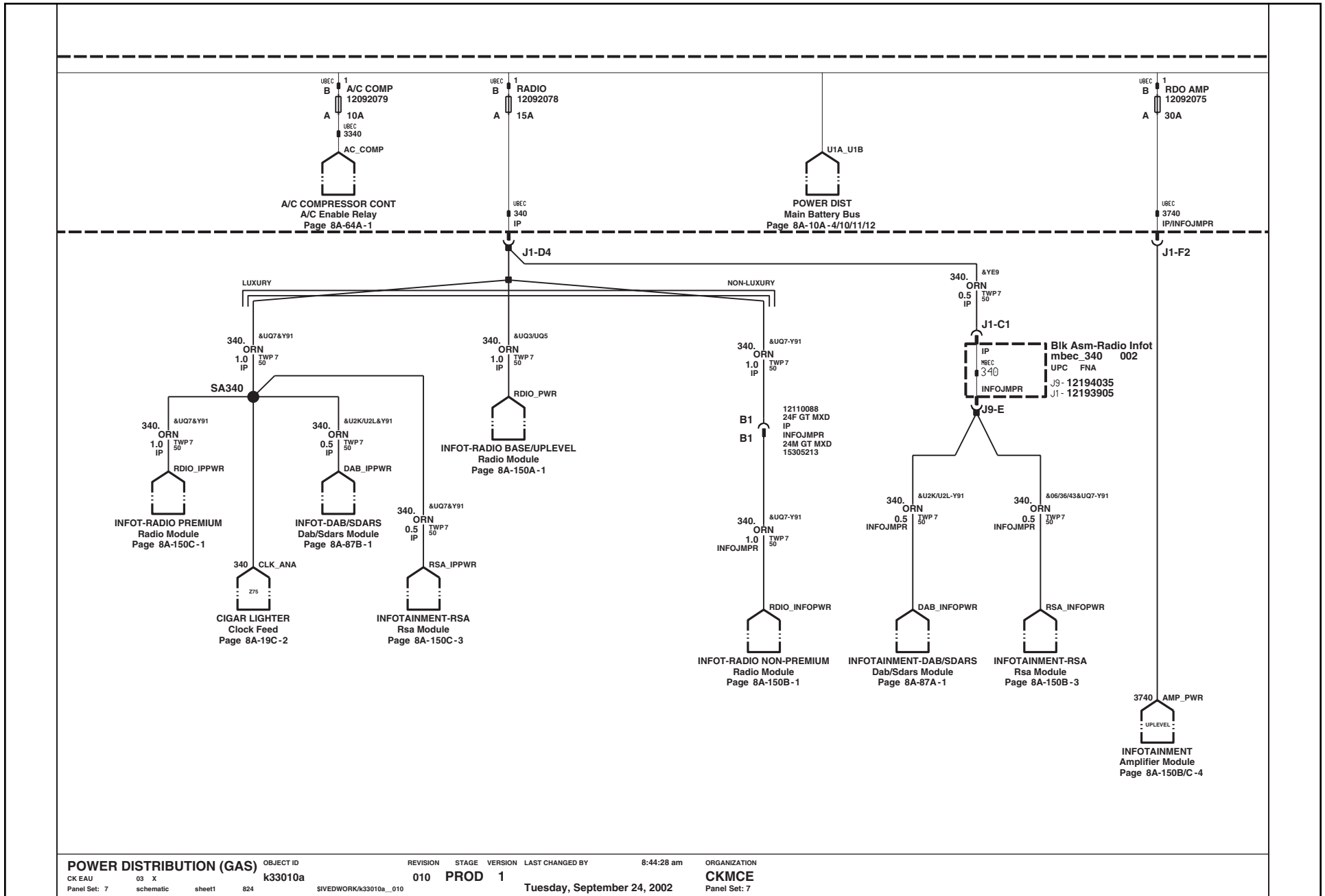


## Power Distribution: Gas



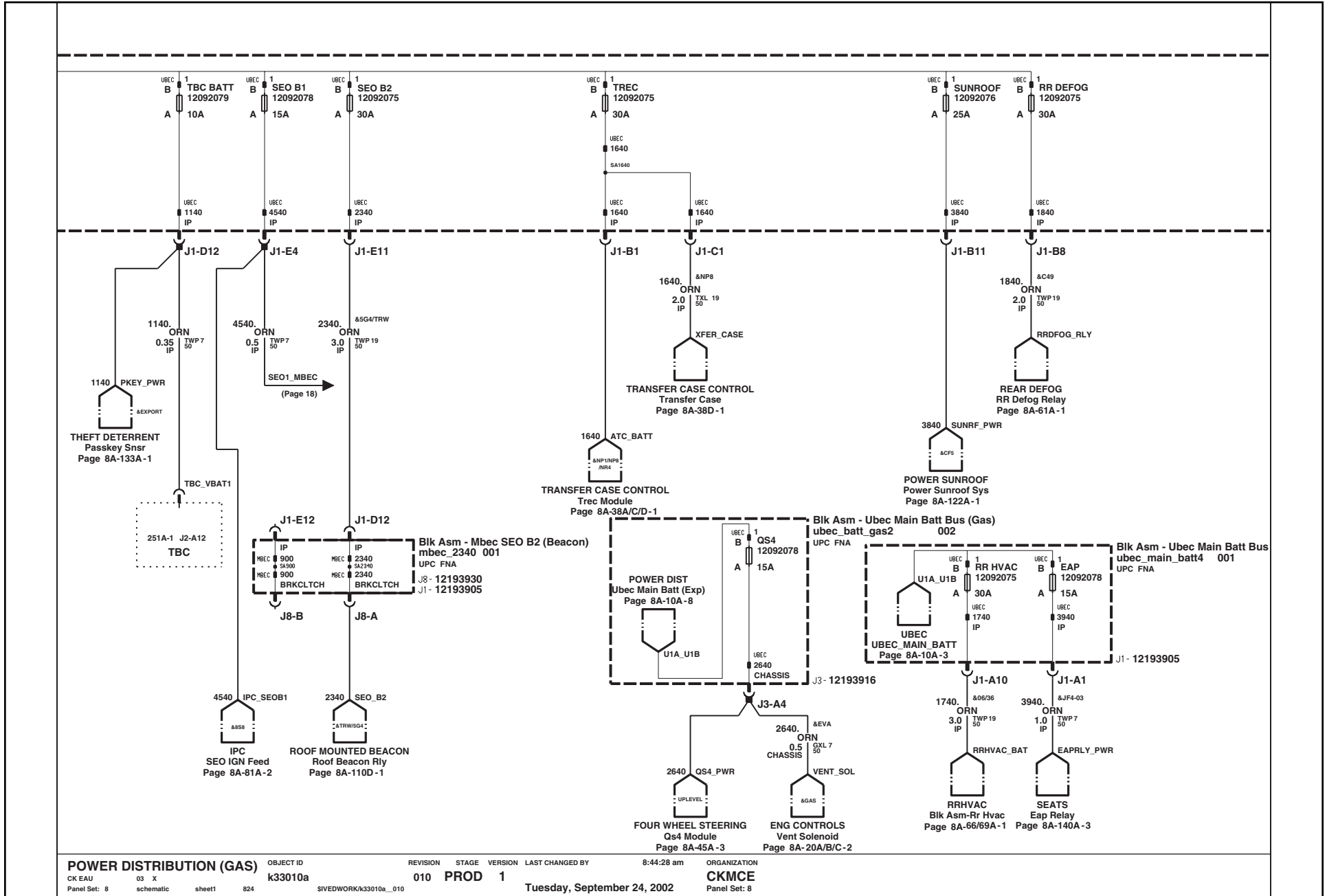
POWER DISTRIBUTION (GAS)	OBJECT ID	REVISION	STAGE	VERSION	LAST CHANGED BY	8:44:28 am	ORGANIZATION
CK EAU	k33010a	010	PROD	1			CKMCE
Panel Set: 6	schematic sheet1 824	SIVEDWORK/k33010a_010		Tuesday, September 24, 2002			Panel Set: 6

## Power Distribution: Gas



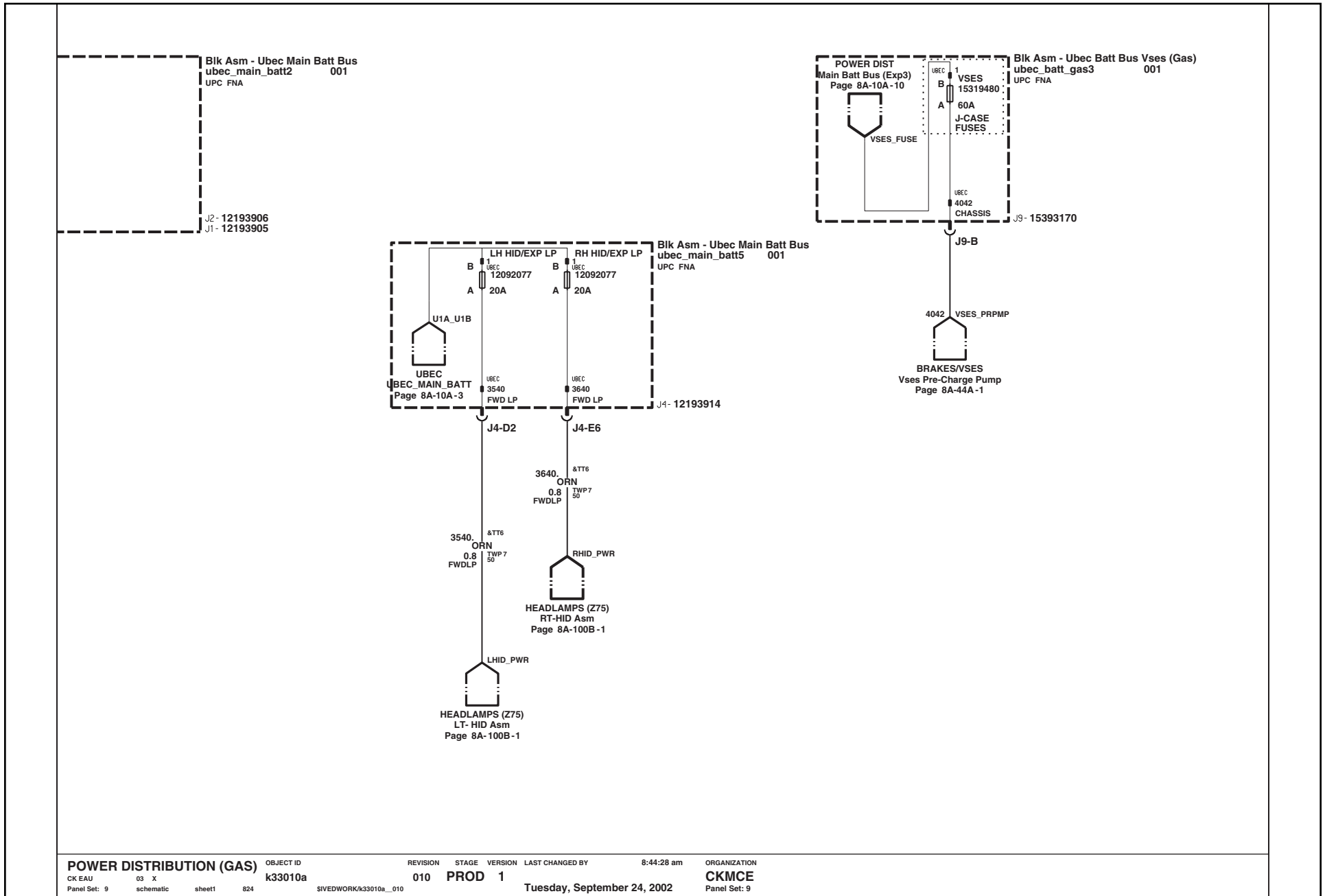
POWER DISTRIBUTION (GAS) OBJECT ID CK EAU 03 X k33010a REVISION 010 STAGE PROD 1 LAST CHANGED BY 8:44:28 am ORGANIZATION CKMCE Panel Set: 7 schematic sheet1 824 SIVEDWORK/k33010a\_010 Tuesday, September 24, 2002 Panel Set: 7

## Power Distribution: Gas

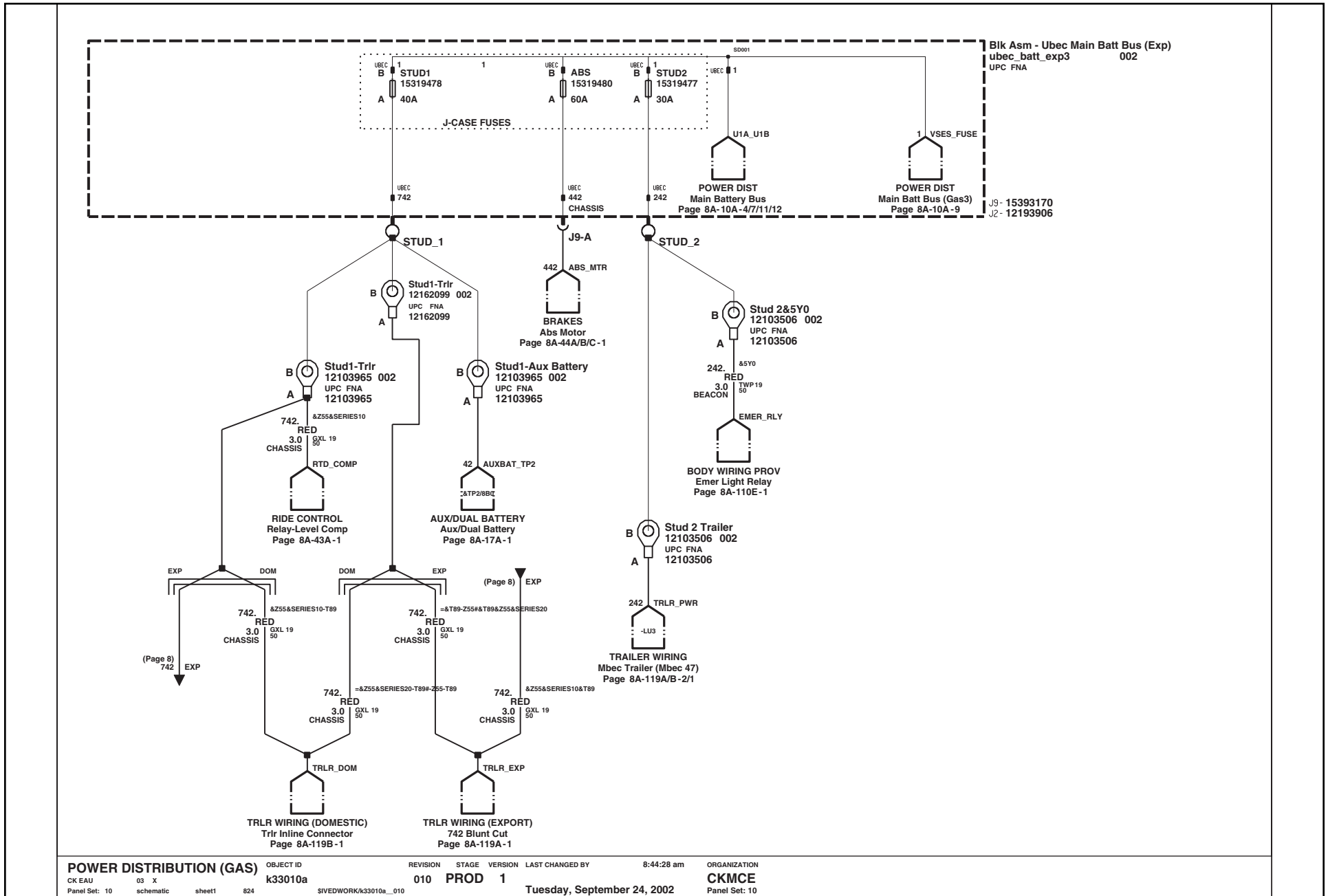




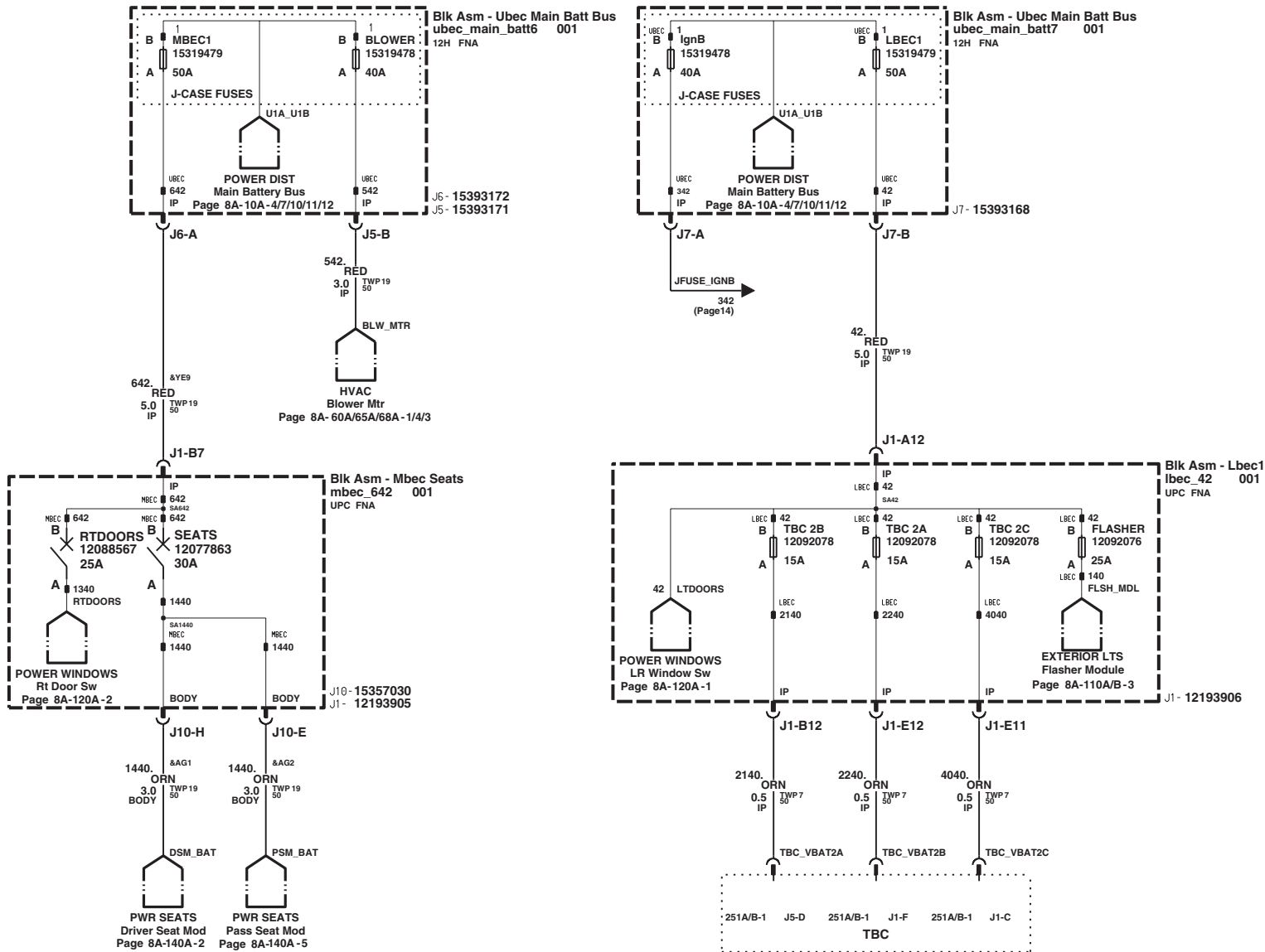
## Power Distribution: Gas



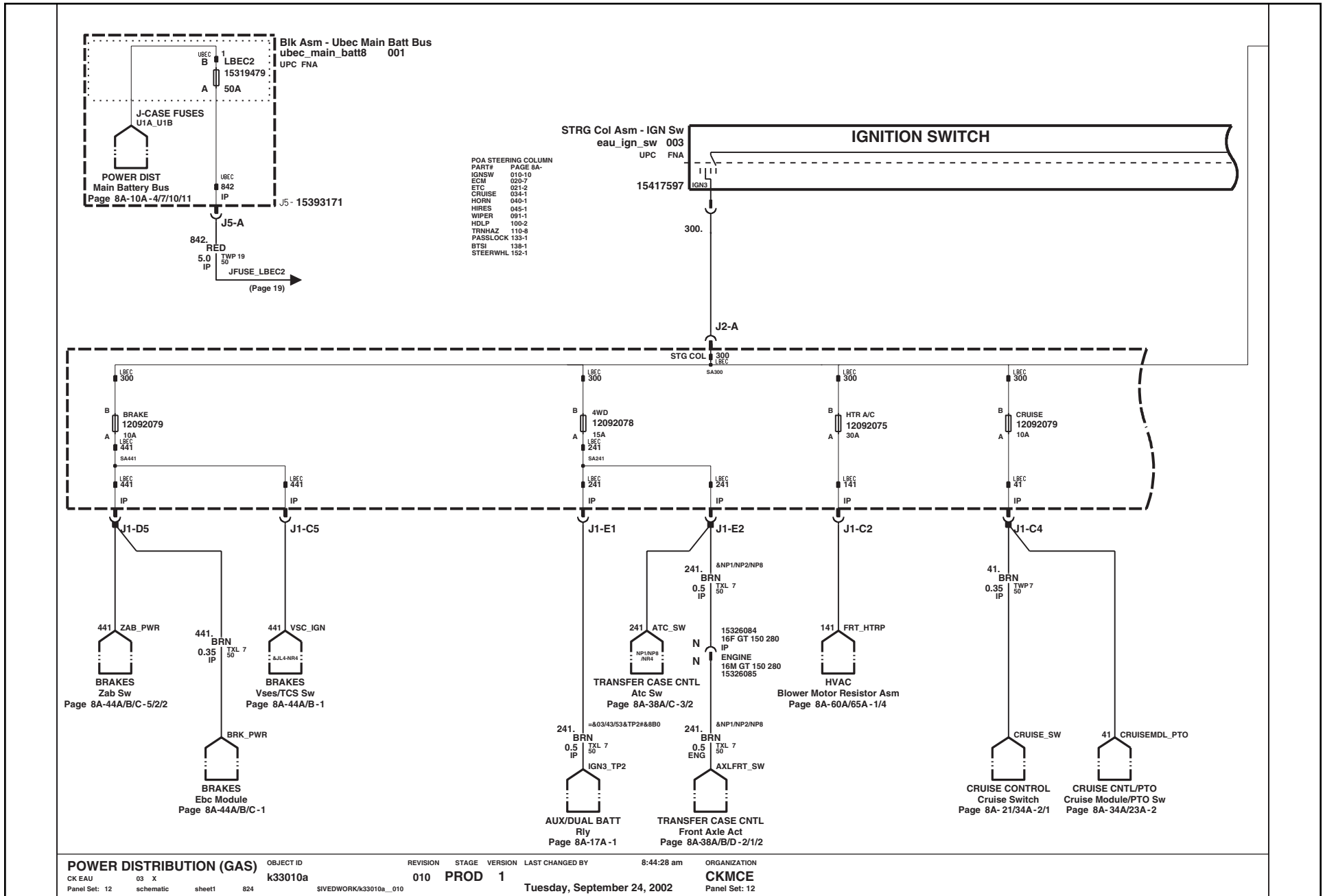
## Power Distribution: Gas



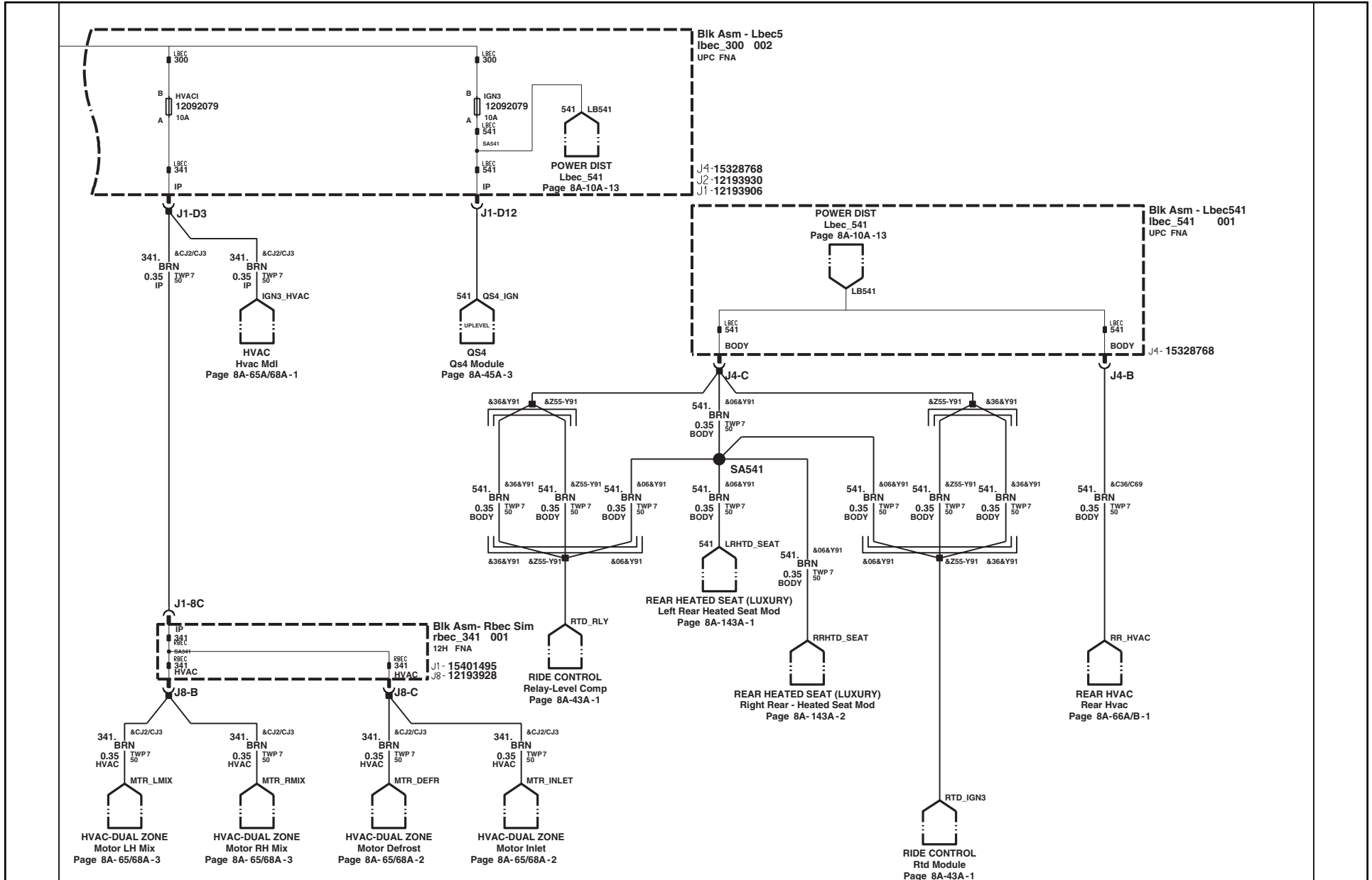
## Power Distribution: Gas



## Power Distribution: Gas

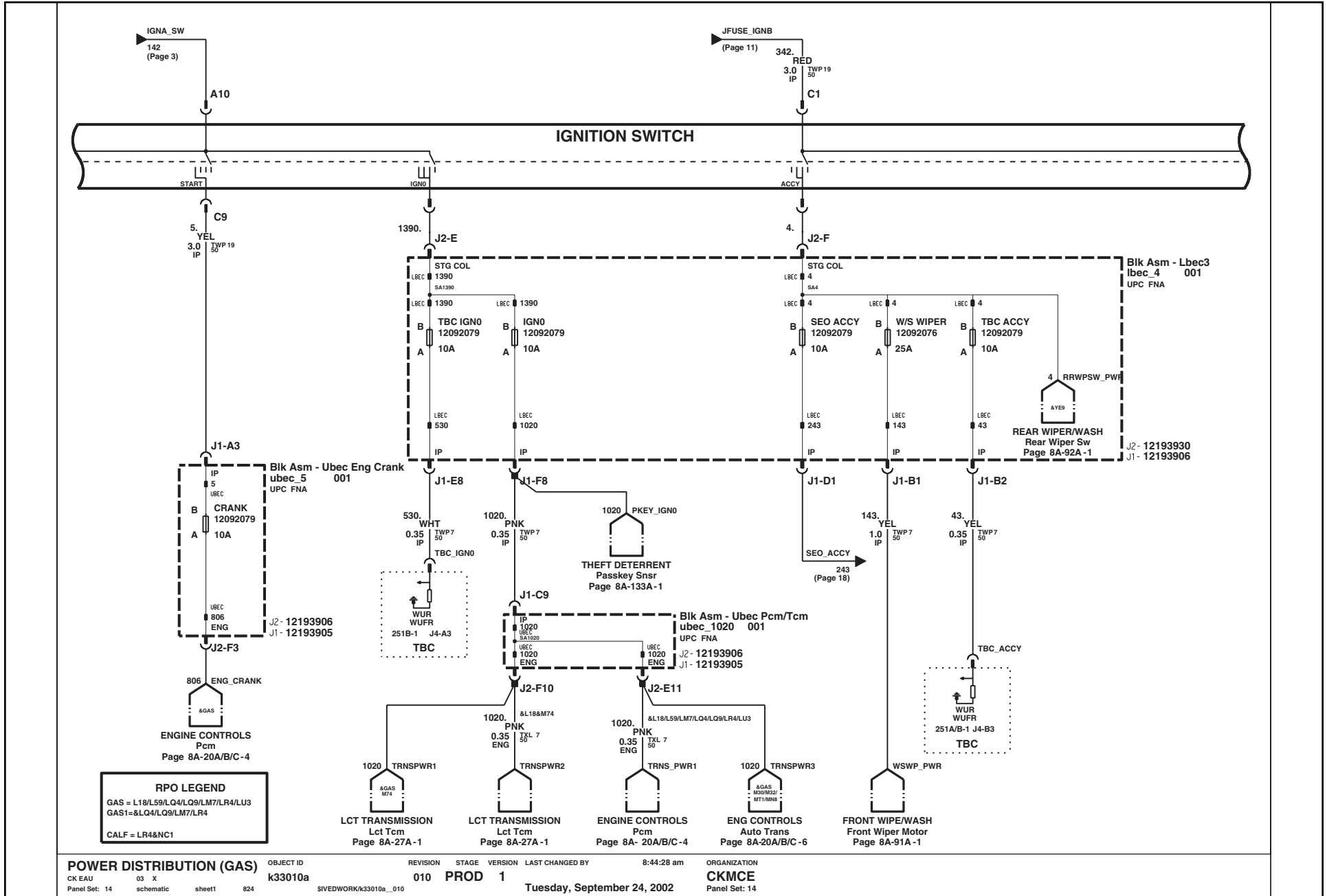


## Power Distribution: Gas

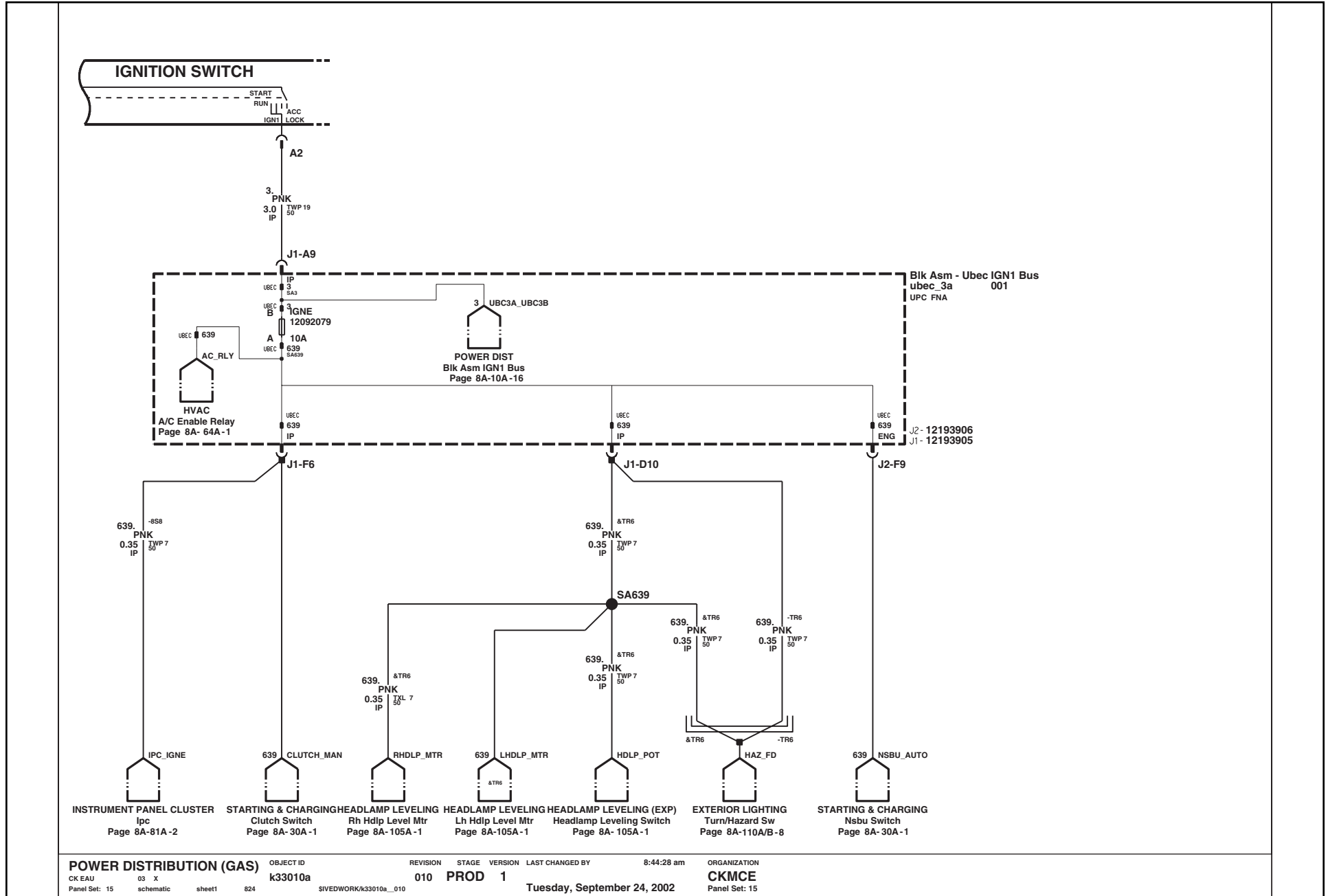


<b>POWER DISTRIBUTION (GAS)</b>		OBJECT ID	REVISION	STAGE	VERSION	LAST CHANGED BY	8:44:28 am	ORGANIZATION
CK EAU	03 X	k33010a	010	PROD	1			CKMCE
Panel Set: 13	schematic	sheet1	824	SIVEDWORK/k33010a_010		Tuesday, September 24, 2002		Panel Set: 13

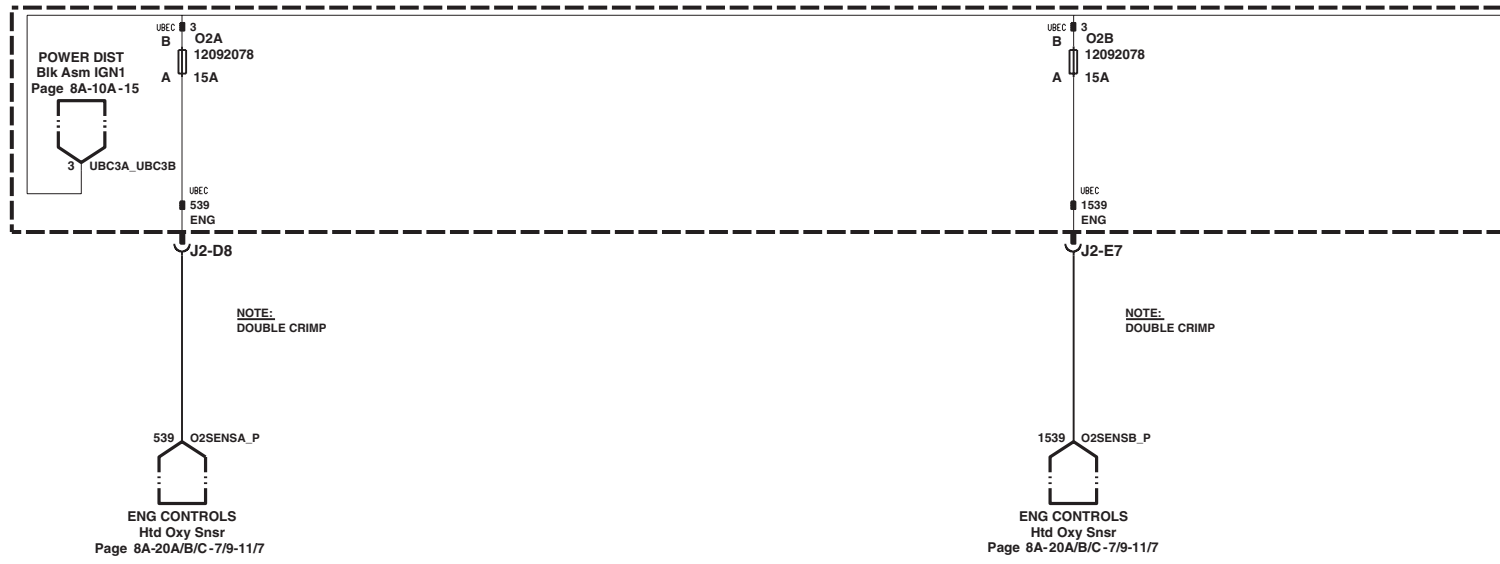
## Power Distribution: Gas



## Power Distribution: Gas

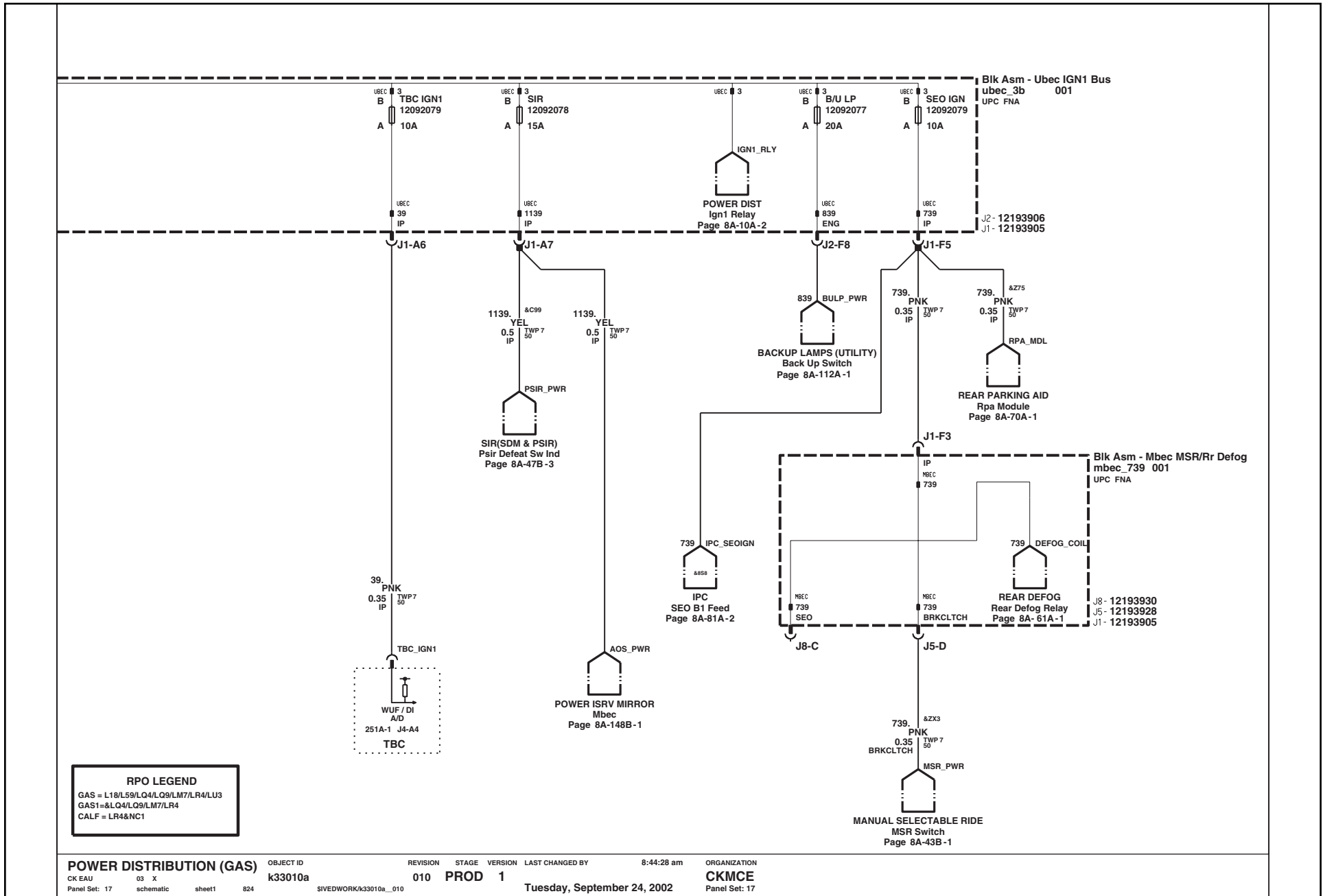


## Power Distribution: Gas

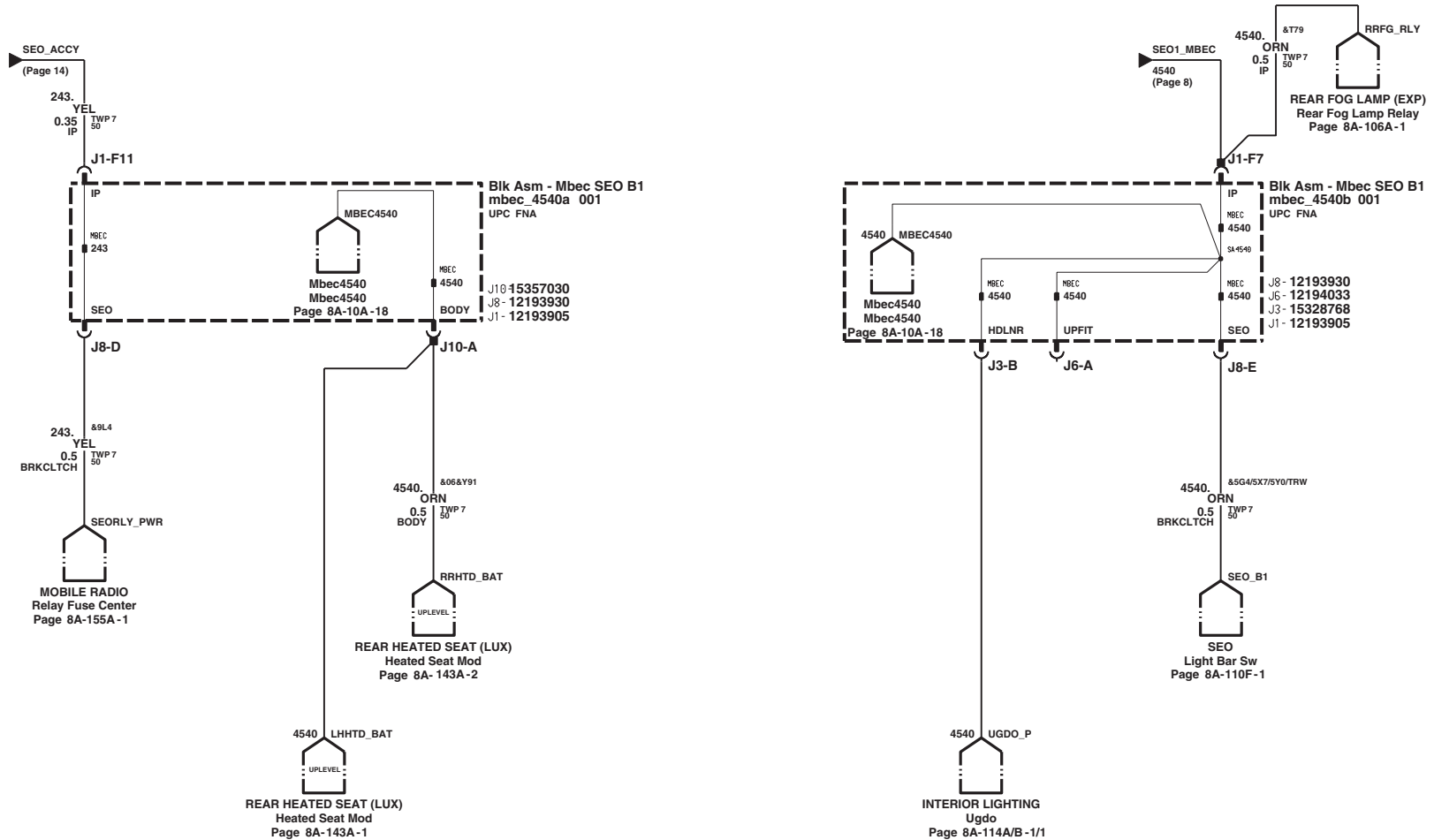




## Power Distribution: Gas



## Power Distribution: Gas



POWER DISTRIBUTION (GAS)

OBJECT ID  
k33010a

REVISION STAGE VERSION LAST CHANGED BY  
010 PROD 1

8:44:28 am

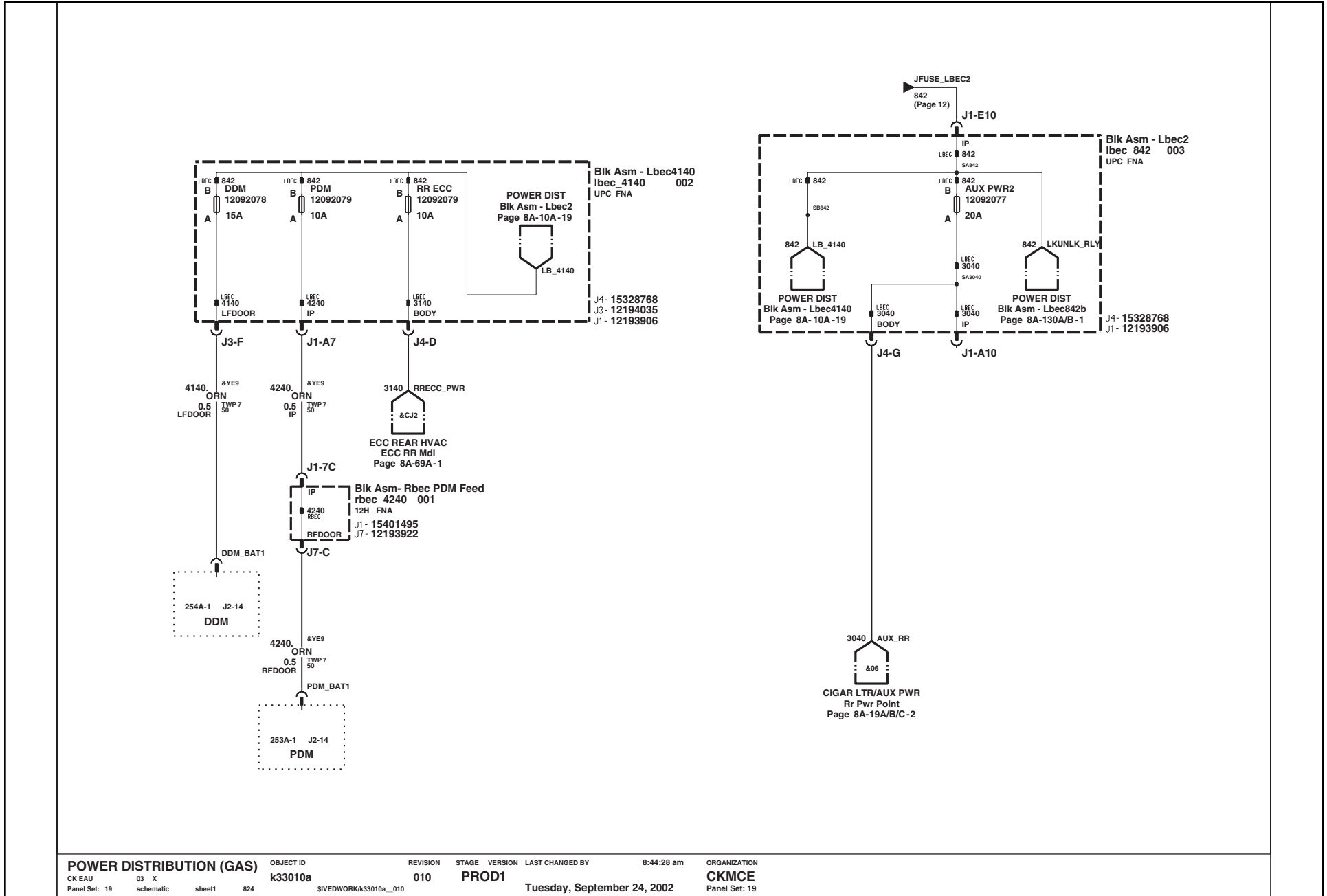
ORGANIZATION  
CKMCE  
Panel Set: 18

CK EAU 03 X schematic sheet1 824

SIVEDWORK/k33010a\_010

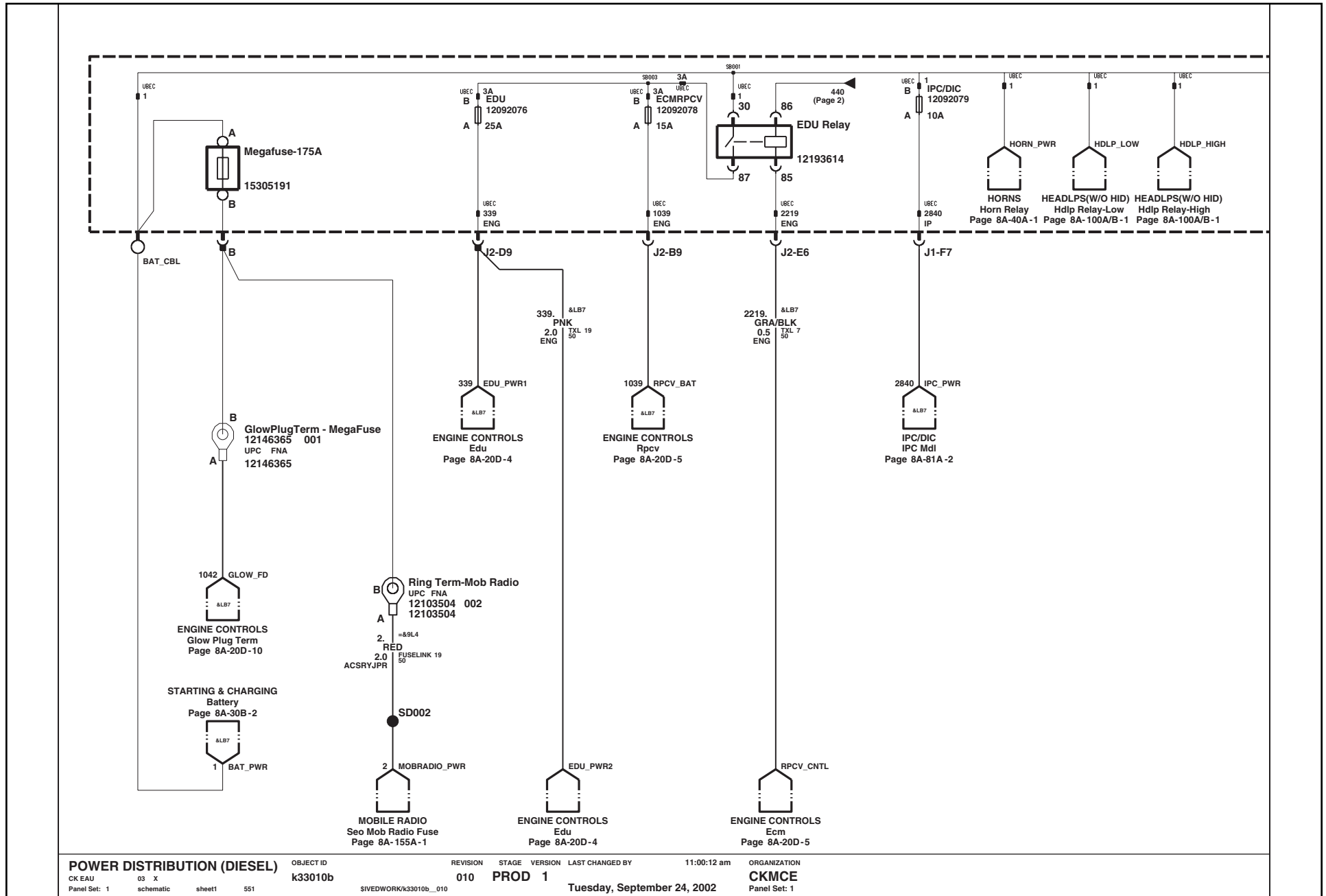
Tuesday, September 24, 2002

## Power Distribution: Gas

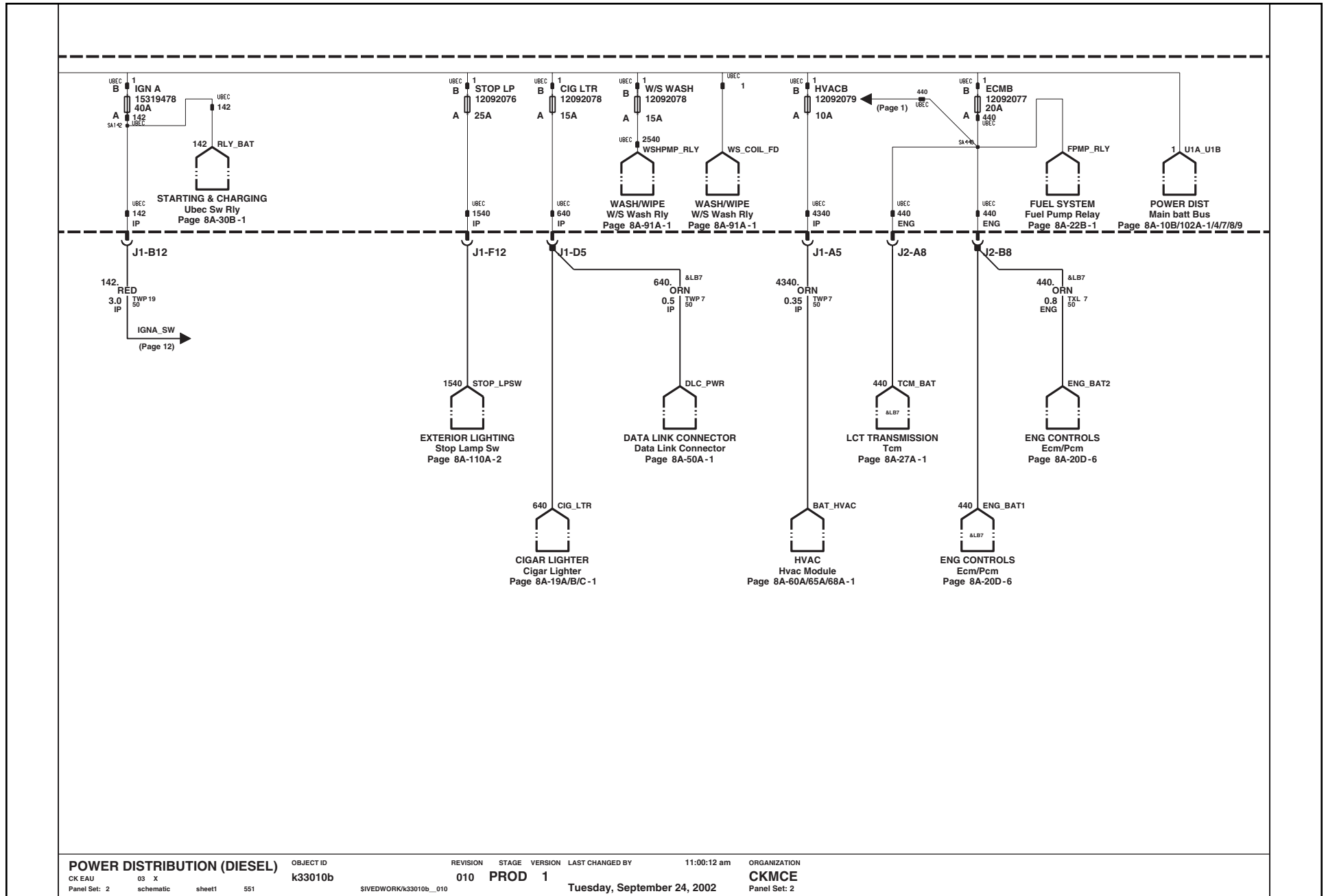


<b>POWER DISTRIBUTION (GAS)</b>	OBJECT ID	REVISION	STAGE	VERSION	LAST CHANGED BY	8:44:28 am	ORGANIZATION
CK EAU	k33010a	010	PROD1				CKMCE
Panel Set: 19	schematic sheet1 824	SIVEDWORK/k33010a_010		Tuesday, September 24, 2002			Panel Set: 19

## Power Distribution: Diesel



## Power Distribution: Diesel



POWER DISTRIBUTION (DIESEL)

OBJECT ID  
k33010b

REVISION STAGE VERSION LAST CHANGED BY  
010 PROD 1

11:00:12 am

ORGANIZATION

CKMCE

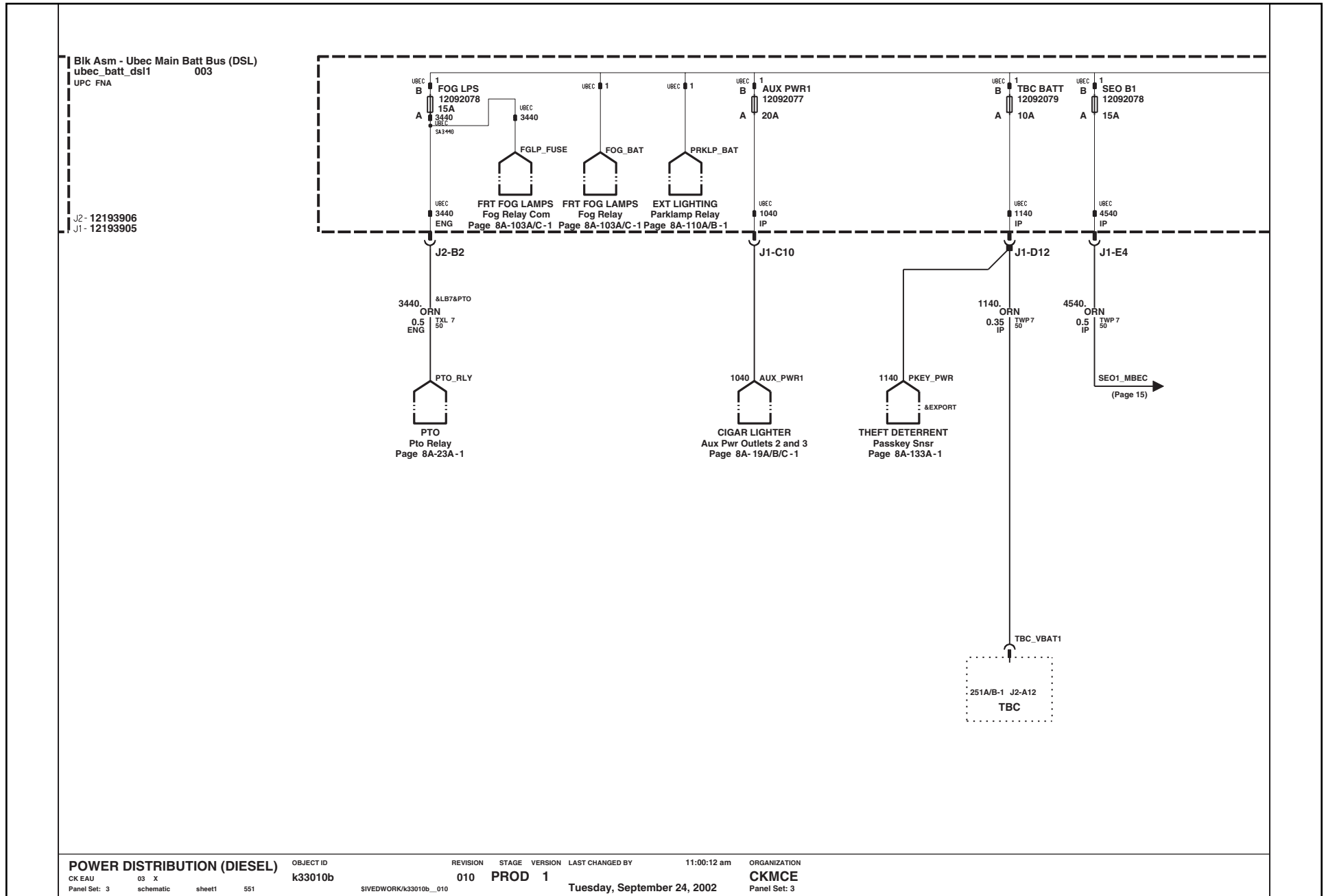
CK EAU 03 X  
Panel Set: 2 schematic sheet1 551

SIVEDWORK/K33010b\_010

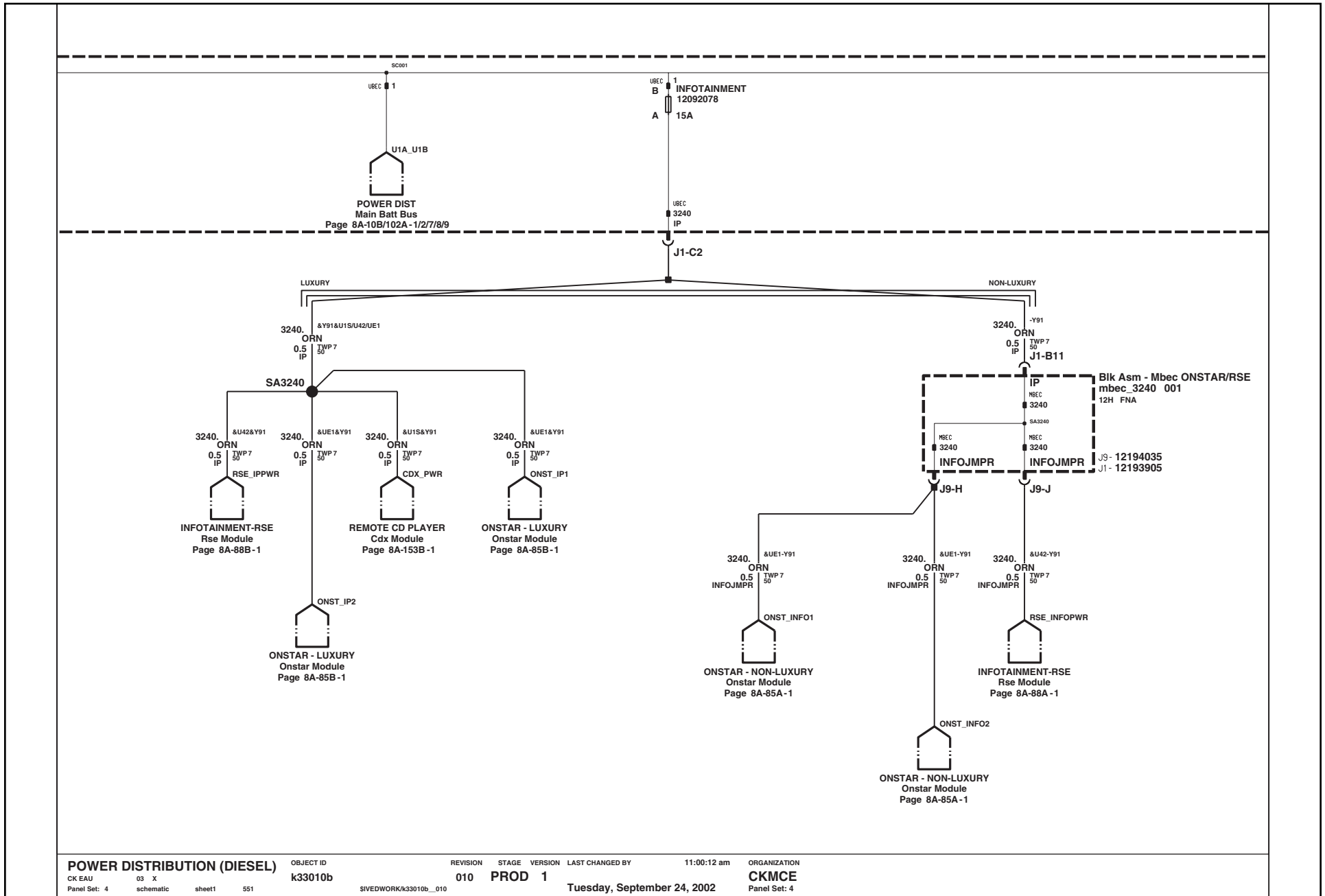
Tuesday, September 24, 2002

Panel Set: 2

## Power Distribution: Diesel



## Power Distribution: Diesel



POWER DISTRIBUTION (DIESEL)

OBJECT ID  
k33010b

REVISION STAGE VERSION LAST CHANGED BY  
010 PROD 1

11:00:12 am

ORGANIZATION

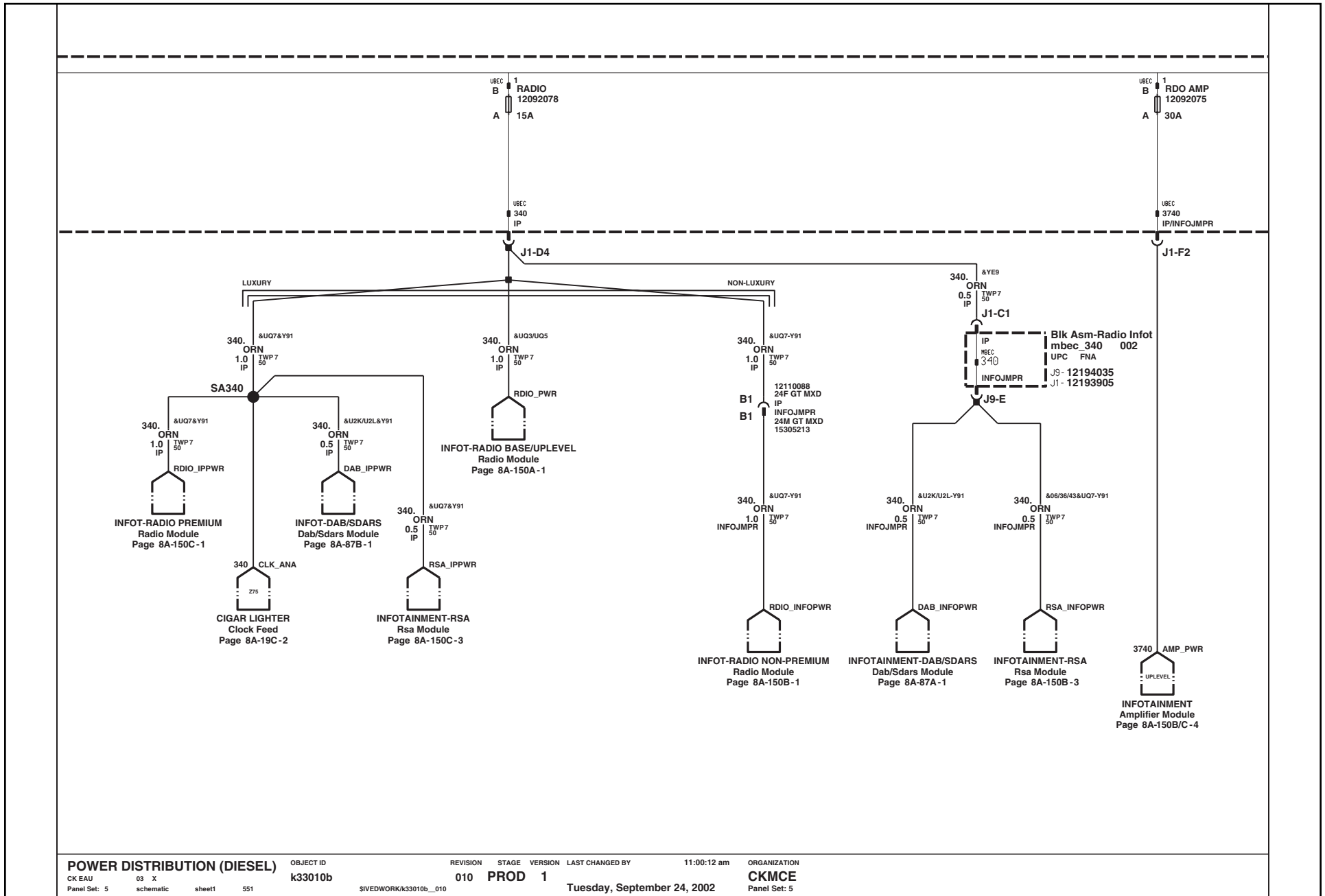
CK EAU 03 X  
Panel Set: 4 schematic sheet1 551

SIVEDWORK/K33010b\_010

Tuesday, September 24, 2002

CKMCE  
Panel Set: 4

## Power Distribution: Diesel



POWER DISTRIBUTION (DIESEL)

CK EAU 03 X  
Panel Set: 5 schematic sheet1 551

OBJECT ID  
k33010b

REVISION STAGE VERSION LAST CHANGED BY  
010 PROD 1

11:00:12 am

ORGANIZATION  
CKMCE  
Panel Set: 5

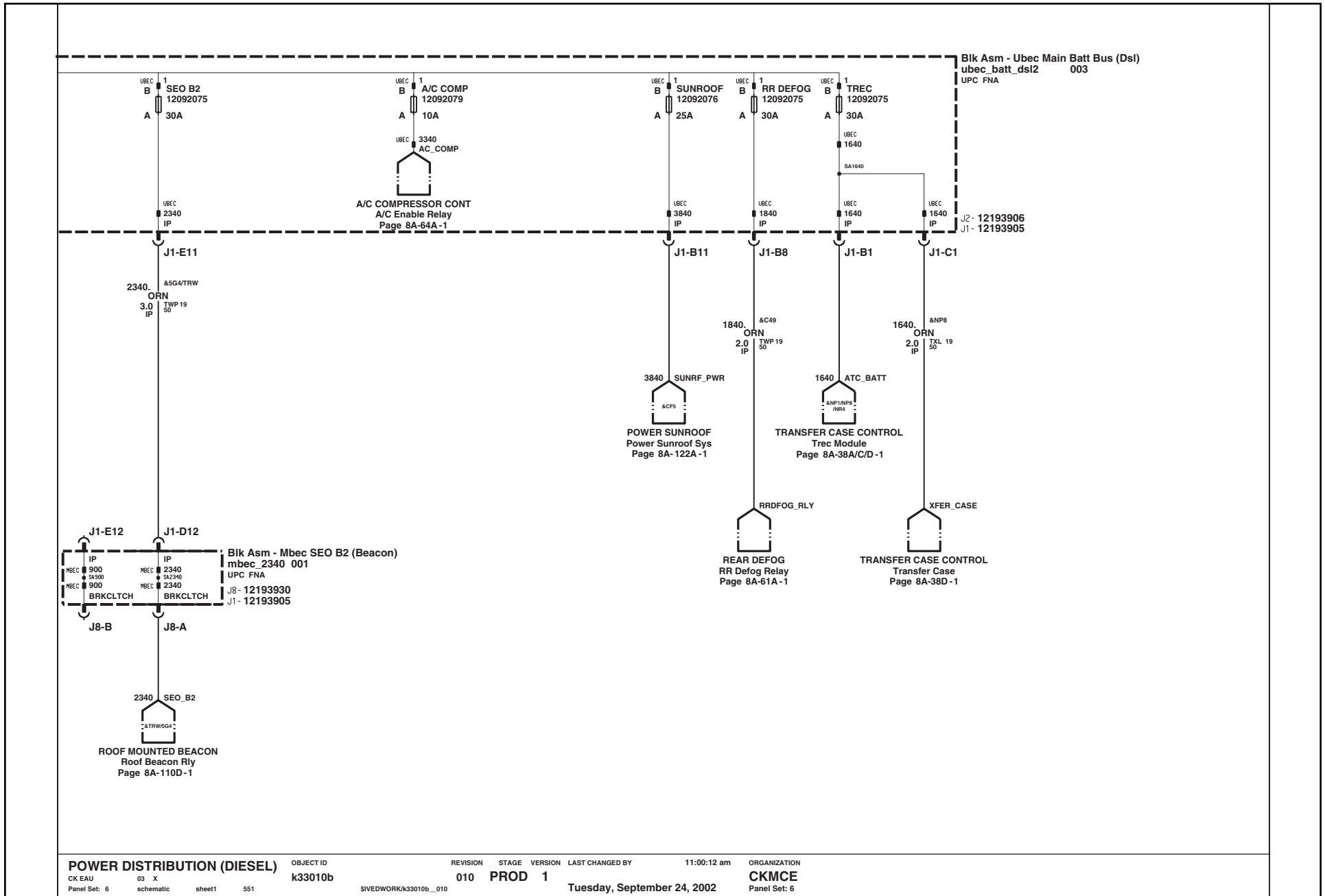
SIVEDWORKR/k33010b\_010

Tuesday, September 24, 2002

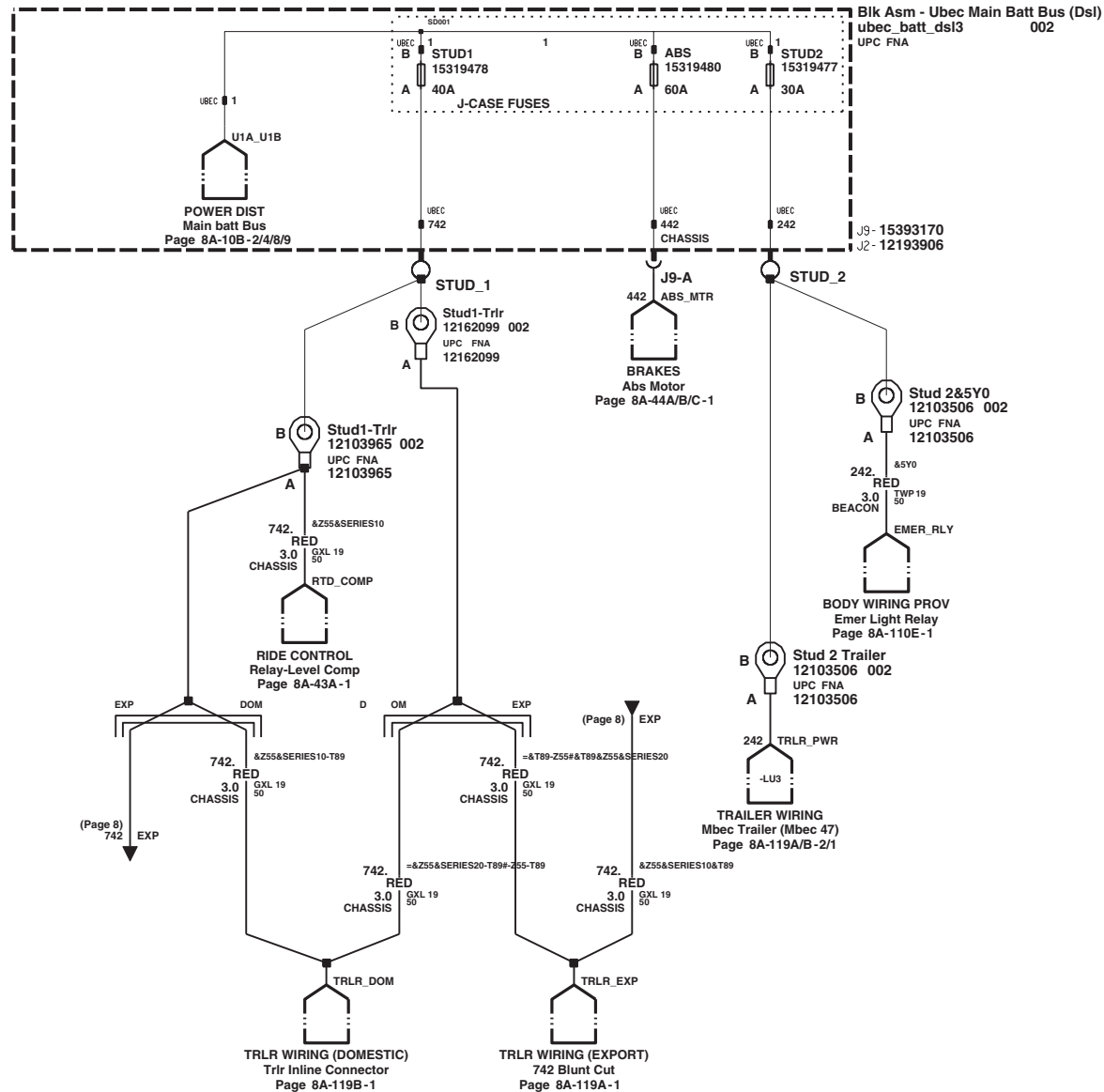


# 2003 & BEYOND LIGHT DUTY C/K FULL-SIZE TRUCK ELECTRICAL

## Power Distribution: Diesel



## Power Distribution: Diesel



POWER DISTRIBUTION (DIESEL)

OBJECT ID  
k33010b

REVISION 010  
STAGE PROD  
VERSION 1  
LAST CHANGED BY

11:00:12 am

ORGANIZATION  
CKMCE

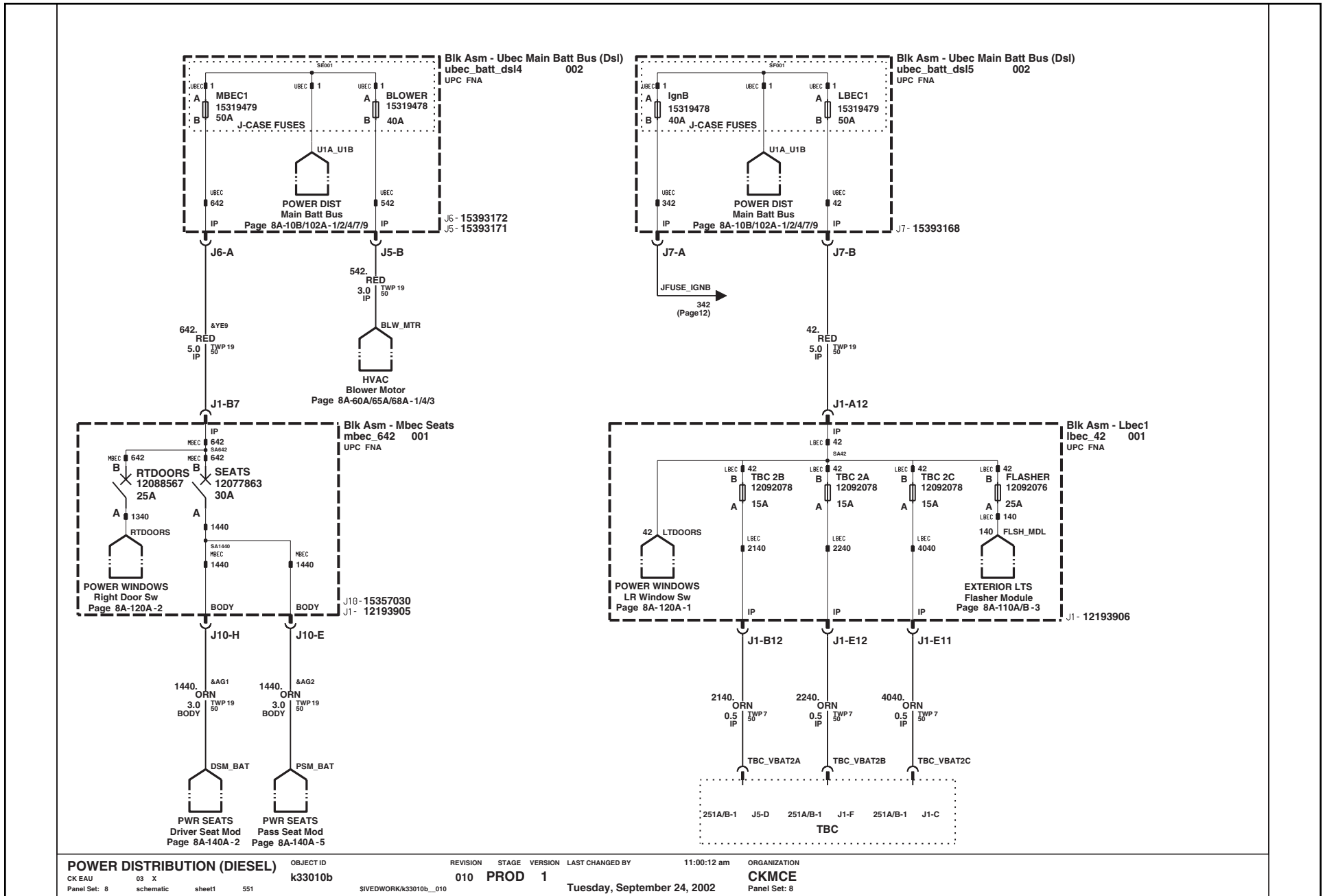
CK EAU 03 X  
Panel Set: 7 schematic sheet1 551

SIVEDWORKR/k33010b\_010

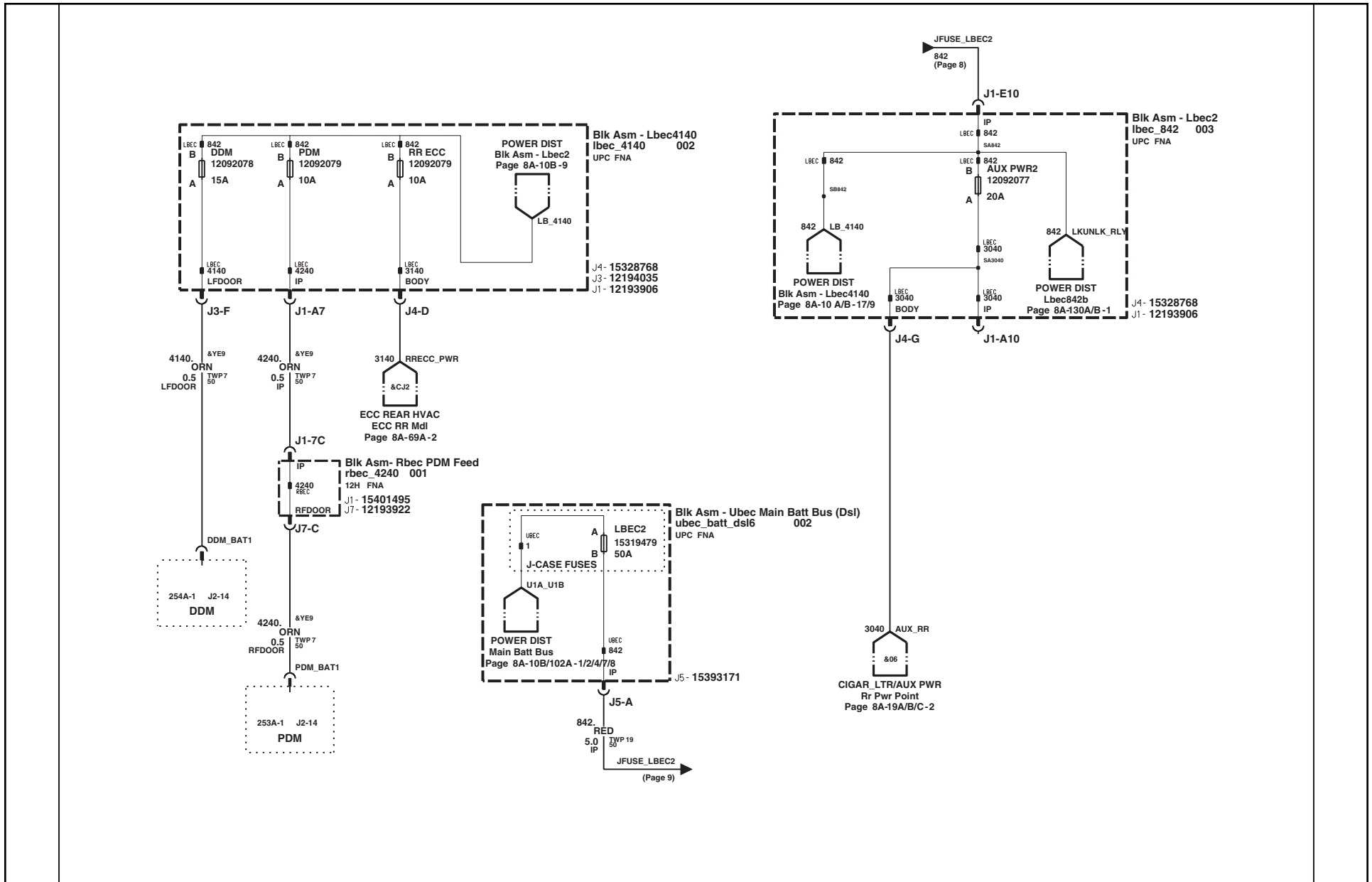
Tuesday, September 24, 2002

Panel Set: 7

## Power Distribution: Diesel



## Power Distribution: Diesel



POWER DISTRIBUTION (DIESEL)

OBJECT ID  
k33010b

REVISION STAGE VERSION LAST CHANGED BY  
010 PROD 1

11:00:12 am

ORGANIZATION  
CKMCE

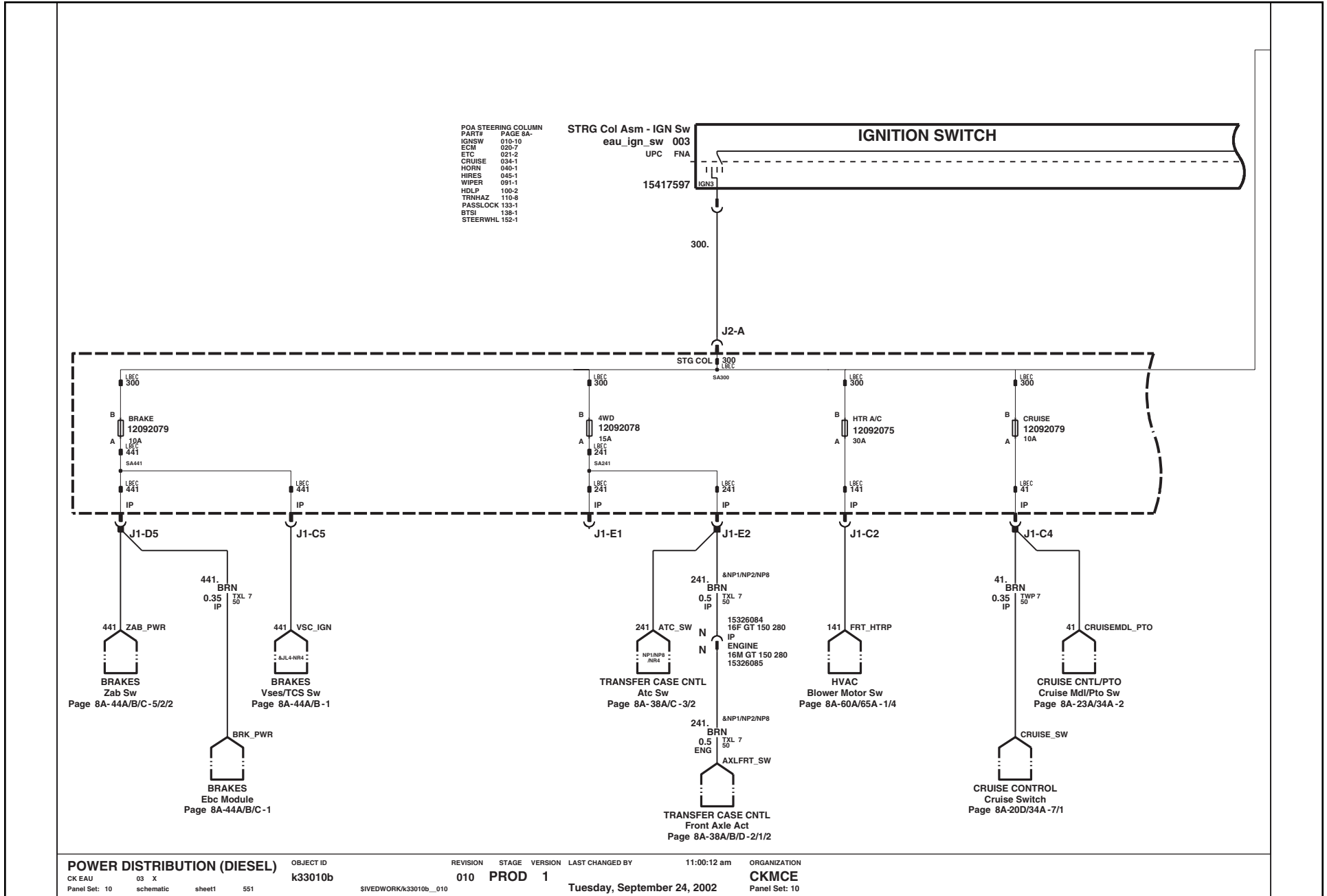
Panel Set: 9 schematic sheet1 551

SIVEDWORKR/k33010b\_010

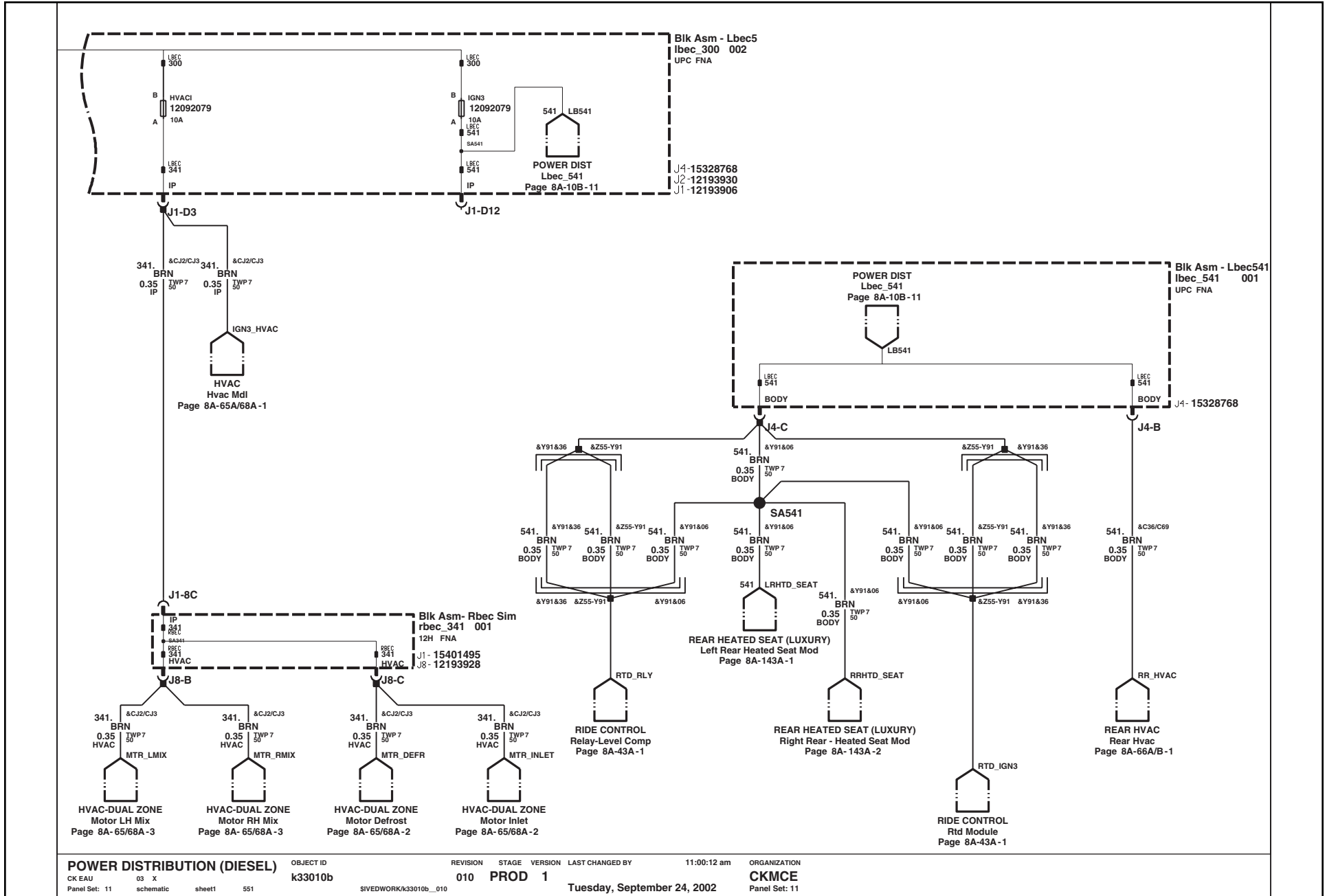
Tuesday, September 24, 2002

Panel Set: 9

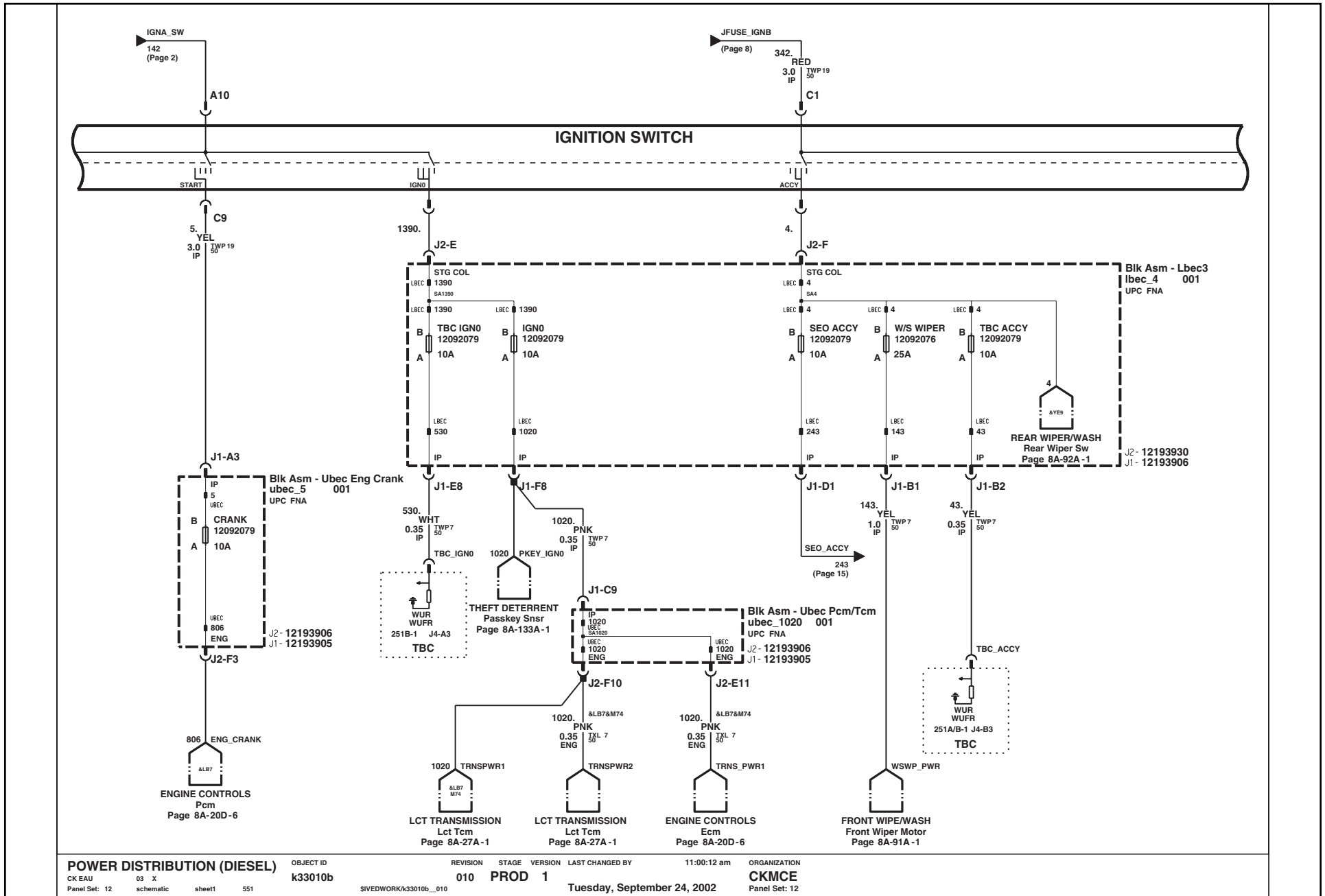
## Power Distribution: Diesel



## Power Distribution: Diesel



## Power Distribution: Diesel



POWER DISTRIBUTION (DIESEL)

OBJECT ID  
k33010b

REVISION STAGE VERSION LAST CHANGED BY  
010 PROD 1

11:00:12 am

ORGANIZATION  
CKMCE

CK EAU 03 X  
Panel Set: 12 schematic sheet1 551

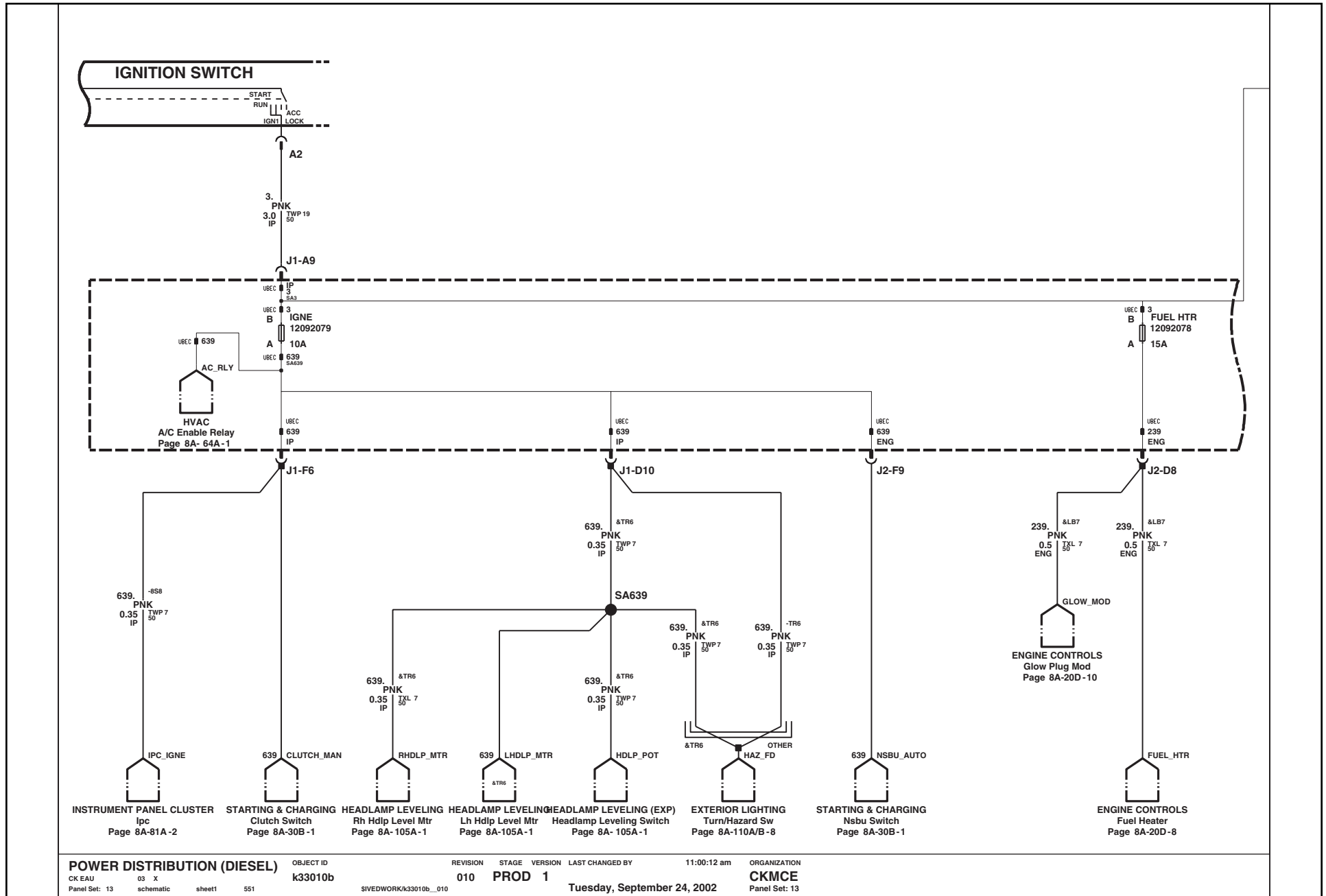
SIVEDWORK/k33010b\_010

Tuesday, September 24, 2002

Panel Set: 12

# 2003 & BEYOND LIGHT DUTY C/K FULL-SIZE TRUCK ELECTRICAL

## Power Distribution: Diesel



**POWER DISTRIBUTION (DIESEL)**

CK EAU 03 X  
Panel Set: 13 schematic sheet1 551

OBJECT ID  
k33010b

SIVEDWORK/K33010b\_010

REVISION STAGE VERSION LAST CHANGED BY  
010 PROD 1

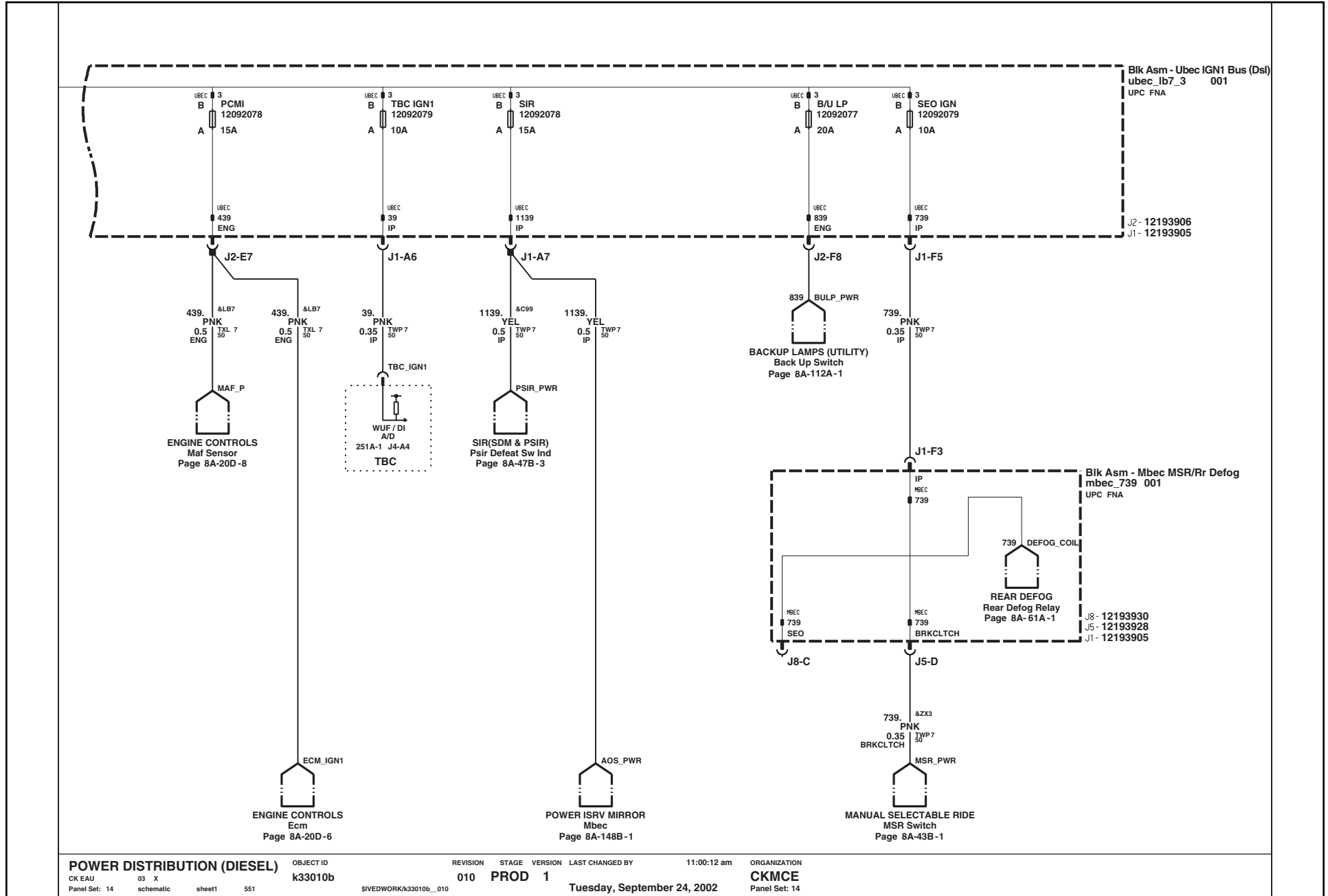
Tuesday, September 24, 2002

11:00:12 am

ORGANIZATION  
CKMCE  
Panel Set: 13



## Power Distribution: Diesel



**POWER DISTRIBUTION (DIESEL)**

CK EAU 03 X  
Panel Set: 14 schematic sheet1 551

OBJECT ID  
k33010b

SIVEDWORKR/k33010b\_010

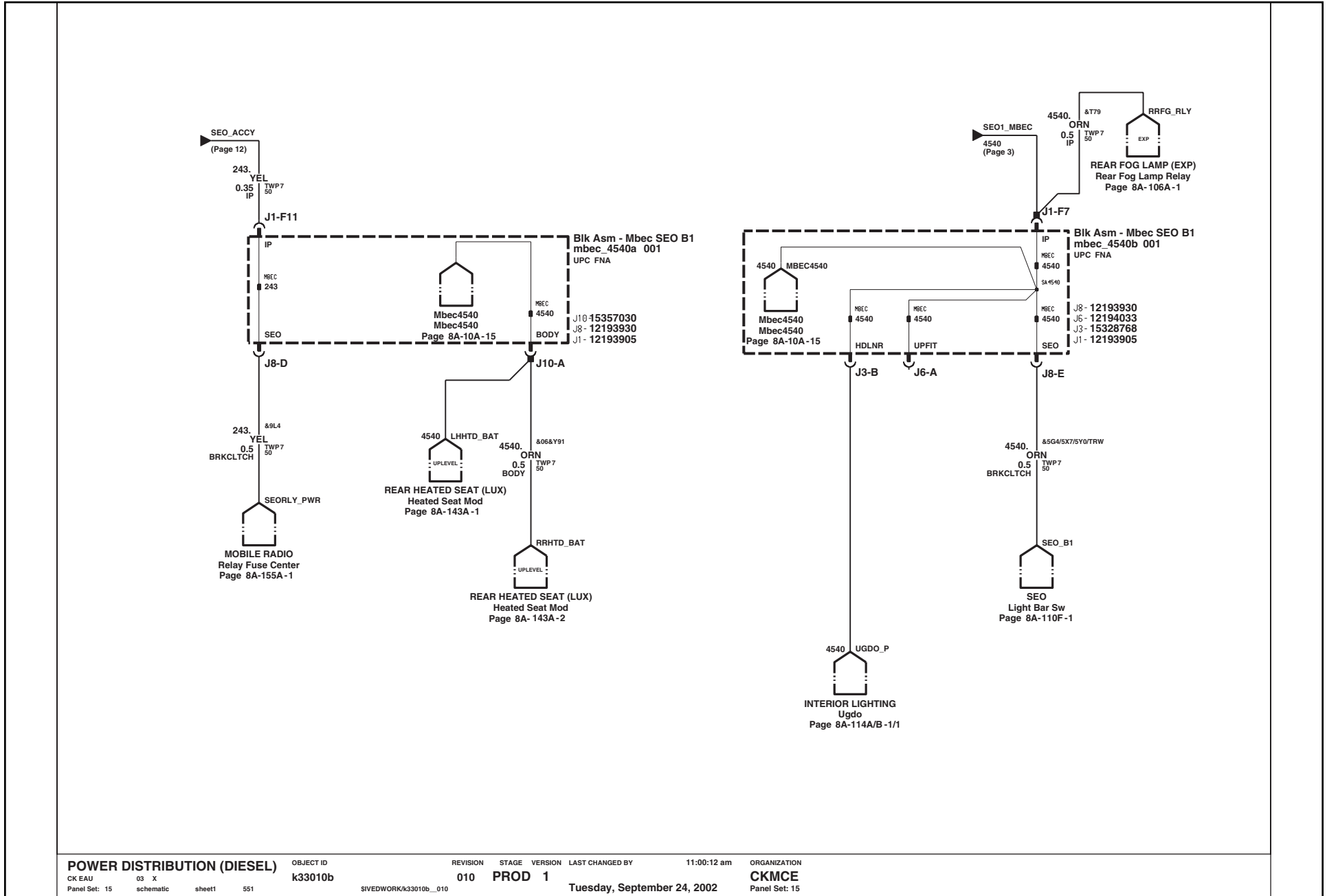
REVISION STAGE VERSION LAST CHANGED BY  
010 PROD 1

Tuesday, September 24, 2002

11:00:12 am

ORGANIZATION  
**CKMCE**  
Panel Set: 14

## Power Distribution: Diesel



POWER DISTRIBUTION (DIESEL)

OBJECT ID  
k33010b

REVISION STAGE VERSION LAST CHANGED BY  
010 PROD 1

11:00:12 am

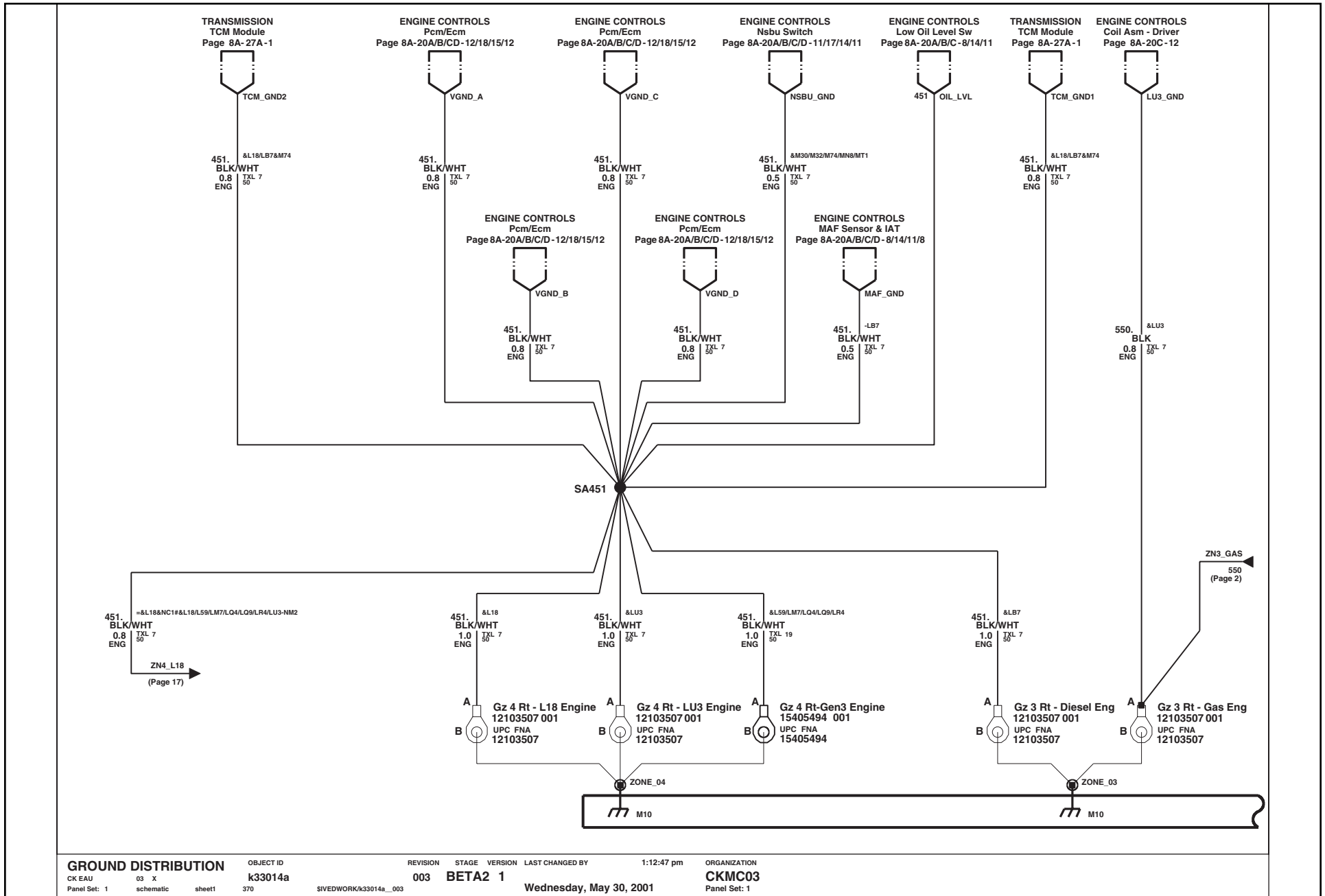
ORGANIZATION  
CKMCE  
Panel Set: 15

CK EAU 03 X  
Panel Set: 15 schematic sheet1 551

SIVEDWORK/k33010b\_010

Tuesday, September 24, 2002

## Ground Distribution



**GROUND DISTRIBUTION**  
CK EAU 03 X  
Panel Set: 1 schematic sheet1 370

OBJECT ID  
k33014a

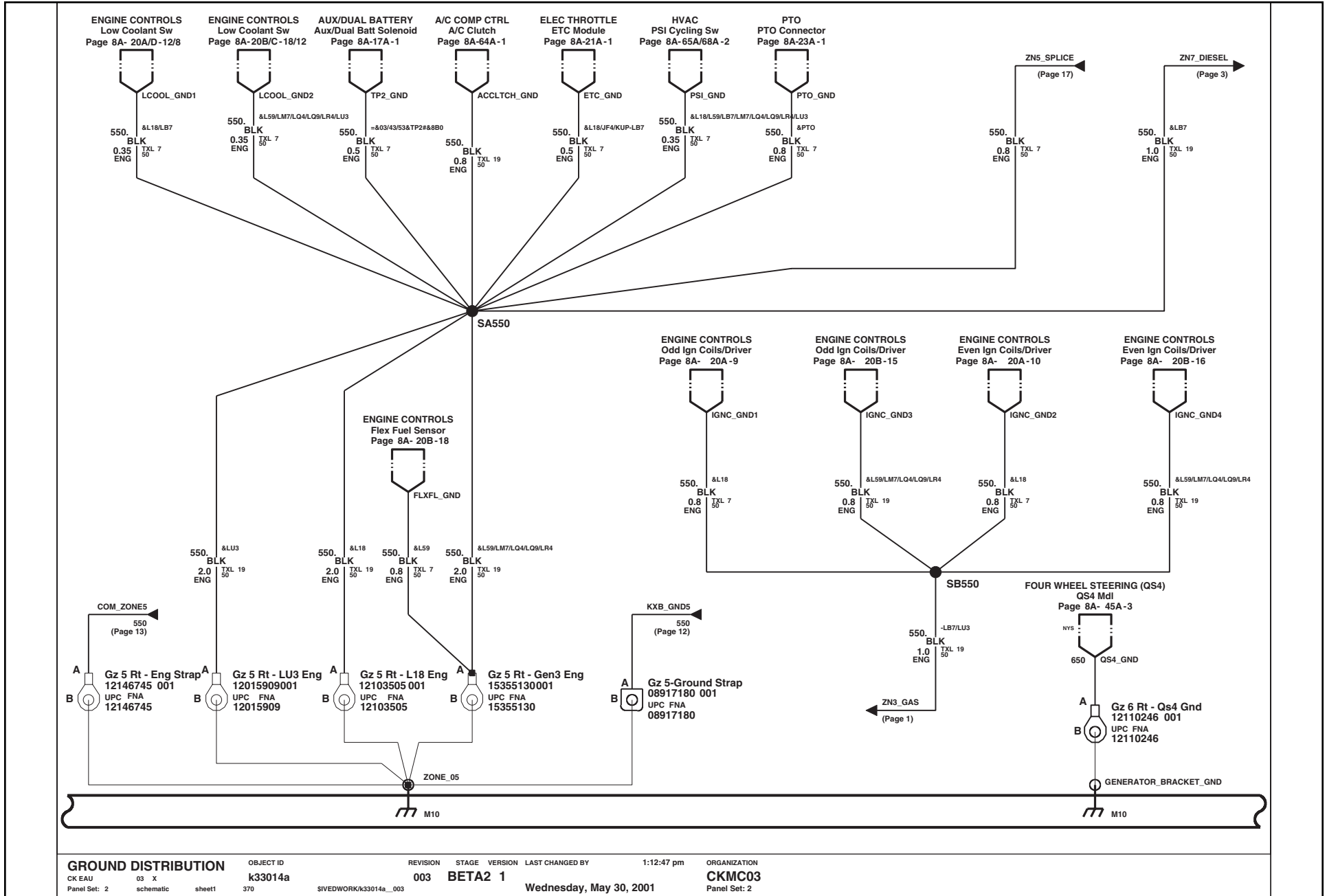
REVISION 003  
STAGE BETA2 1  
VERSION 1  
LAST CHANGED BY SIVEDWORK/k33014a\_003

1:12:47 pm  
Wednesday, May 30, 2001

ORGANIZATION  
CKMC03  
Panel Set: 1

# 2003 & BEYOND LIGHT DUTY C/K FULL-SIZE TRUCK ELECTRICAL

## Ground Distribution



**GROUND DISTRIBUTION**

CK EAU 03 X  
Panel Set: 2 schematic sheet1

OBJECT ID  
k33014a

370

SIVEDWORK/k33014a\_003

REVISION STAGE VERSION LAST CHANGED BY

003 BETA2 1

Wednesday, May 30, 2001

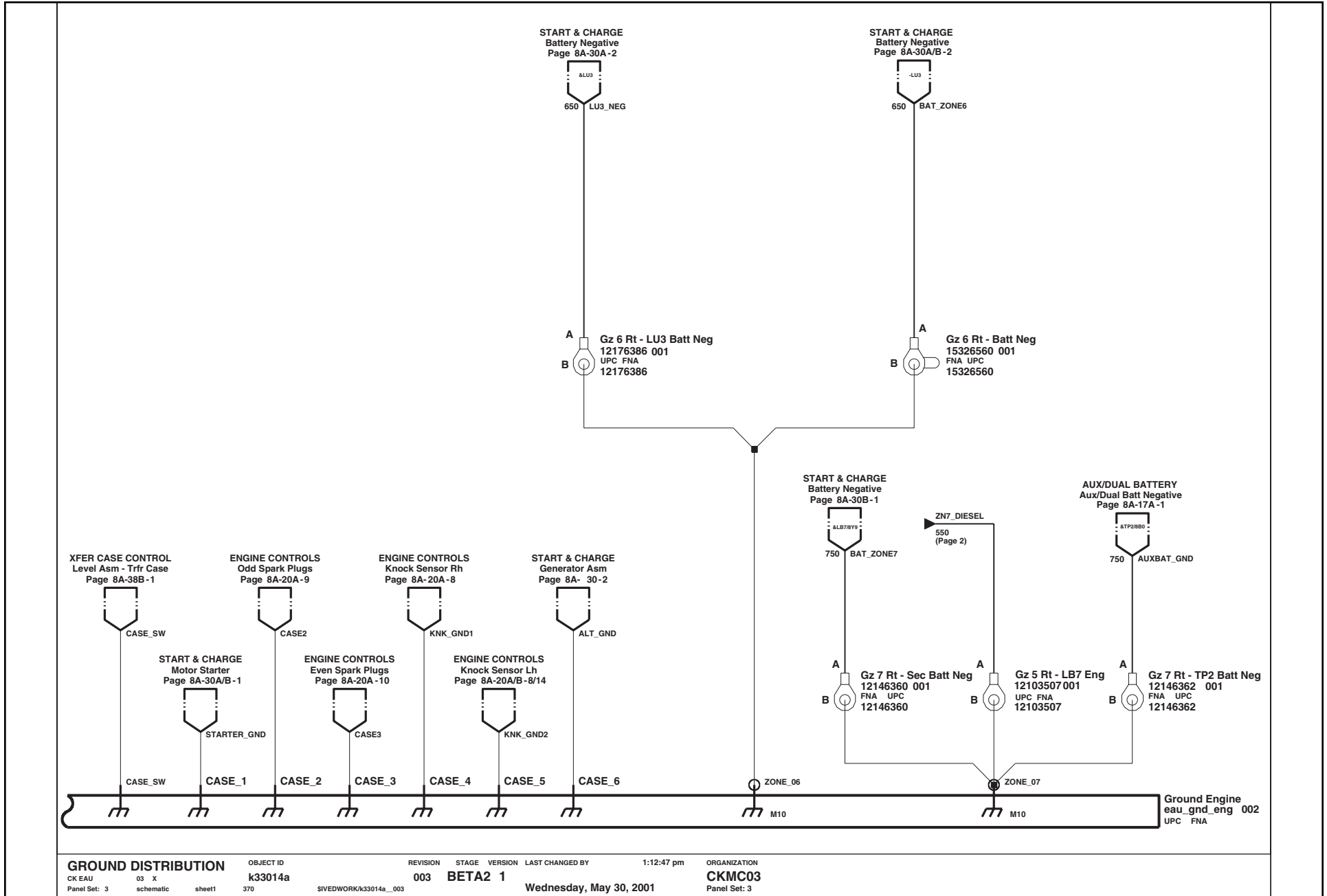
1:12:47 pm

ORGANIZATION

CKMC03

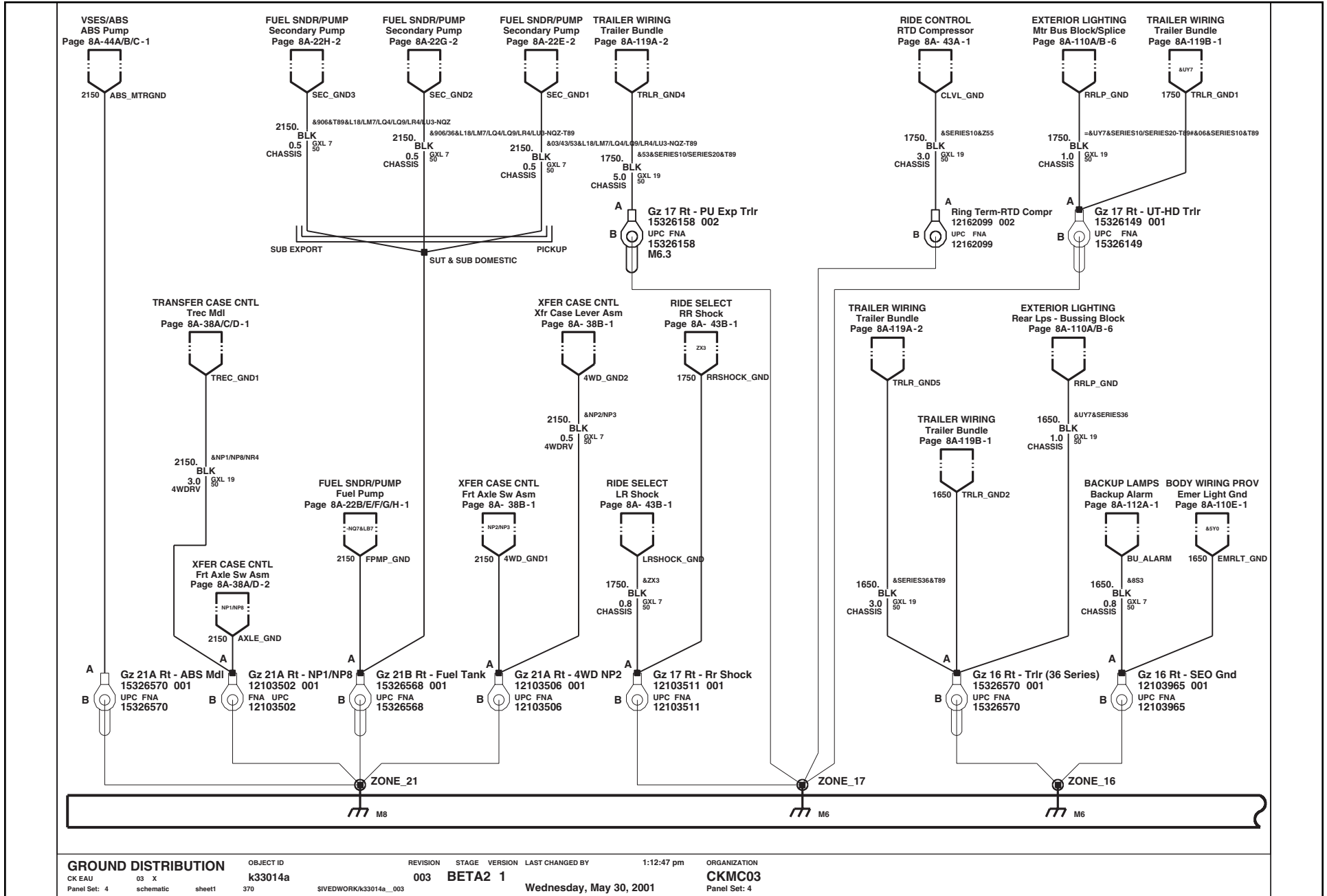
Panel Set: 2

## Ground Distribution



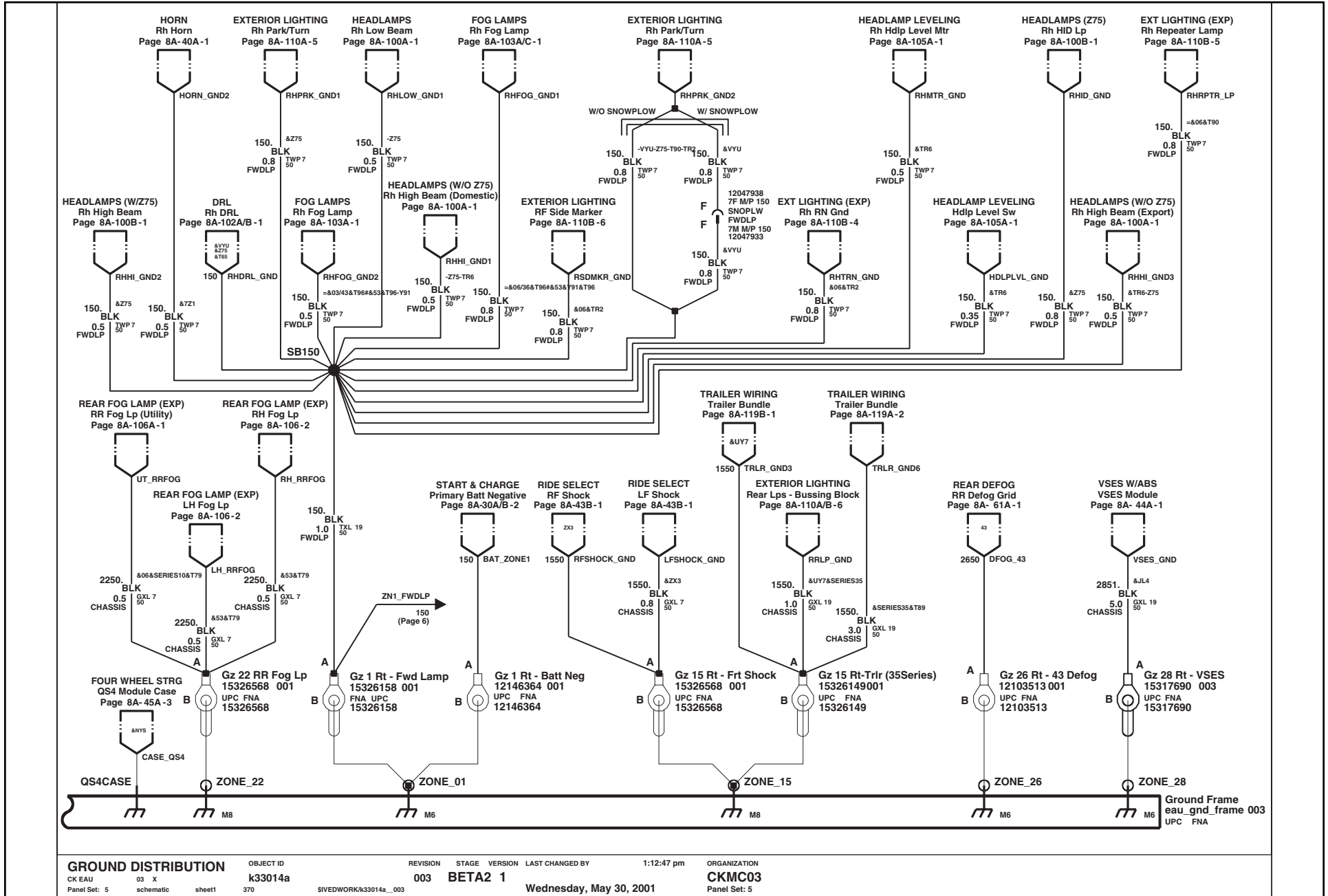
GROUND DISTRIBUTION		OBJECT ID	REVISION	STAGE	VERSION	LAST CHANGED BY	1:12:47 pm	ORGANIZATION
CK EAU	03 X	k33014a	003	BETA2	1			CKMC03
Panel Set: 3	schematic	sheet1	370			SIVEDWORK/k33014a_003	Wednesday, May 30, 2001	Panel Set: 3

## Ground Distribution

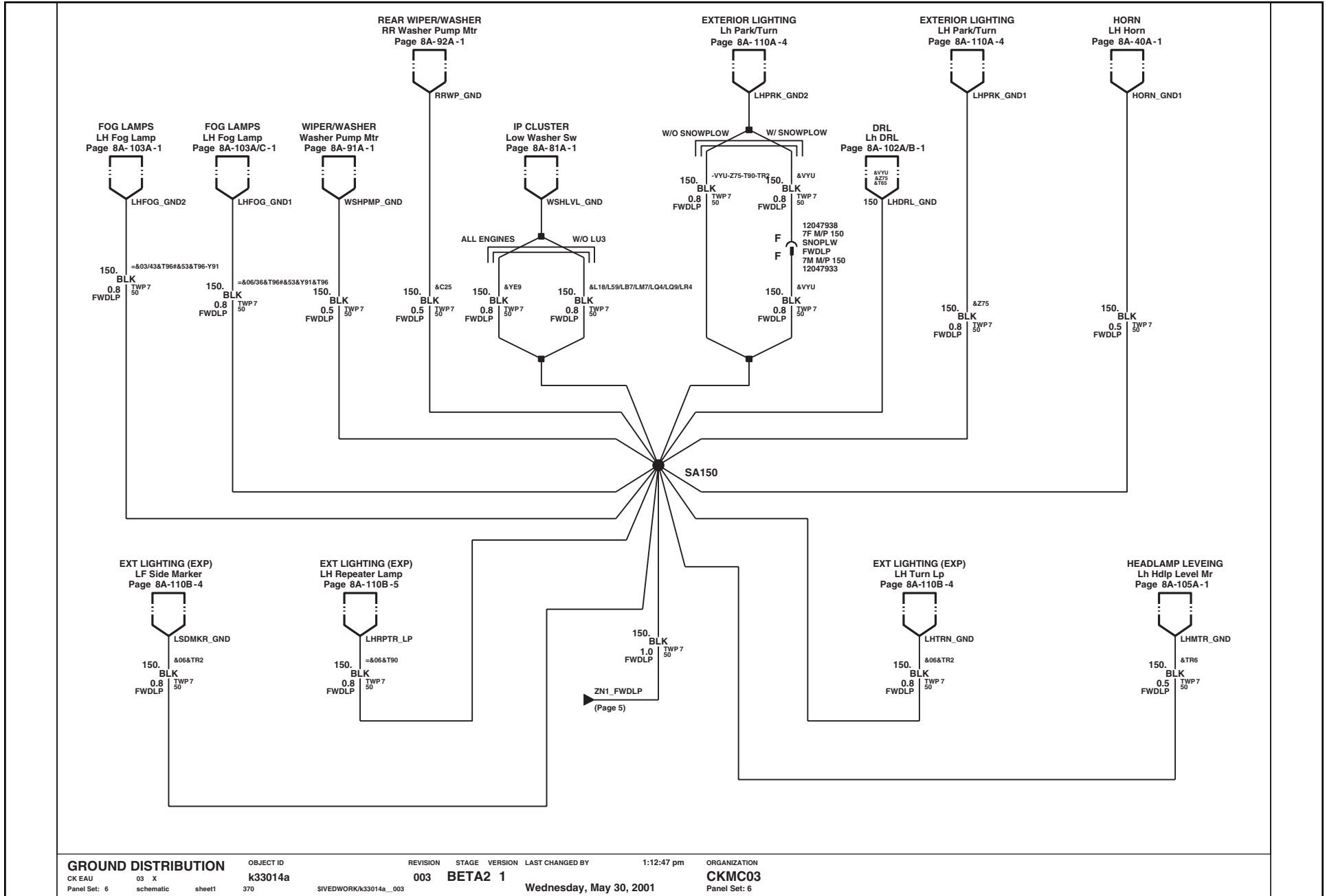


# 2003 & BEYOND LIGHT DUTY C/K FULL-SIZE TRUCK ELECTRICAL

## Ground Distribution



## Ground Distribution



**GROUND DISTRIBUTION**  
CK EAU 03 X  
Panel Set: 6 schematic sheet1 370

OBJECT ID  
k33014a

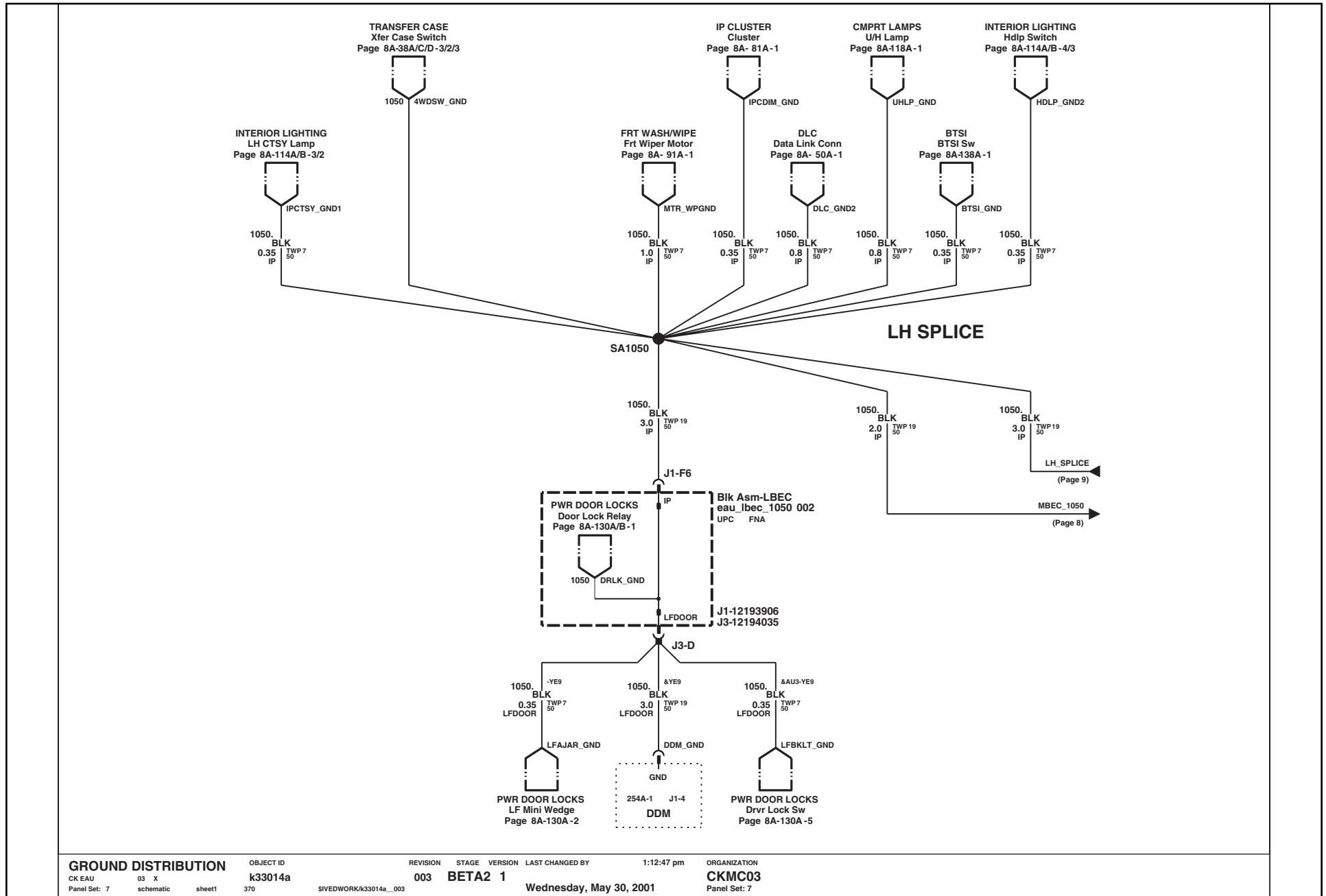
REVISION 003  
STAGE BETA2 1  
VERSION  
LAST CHANGED BY  
SIVEDWORK/k33014a\_003

1:12:47 pm  
ORGANIZATION  
CKMC03  
Panel Set: 6

Wednesday, May 30, 2001



## Ground Distribution



**GROUND DISTRIBUTION**

CK EAU 03 X  
Panel Set: 7 schematic sheet1 370

OBJECT ID  
k33014a

SIVEDWORK/k33014a\_003

REVISION STAGE VERSION LAST CHANGED BY  
003 BETA2 1

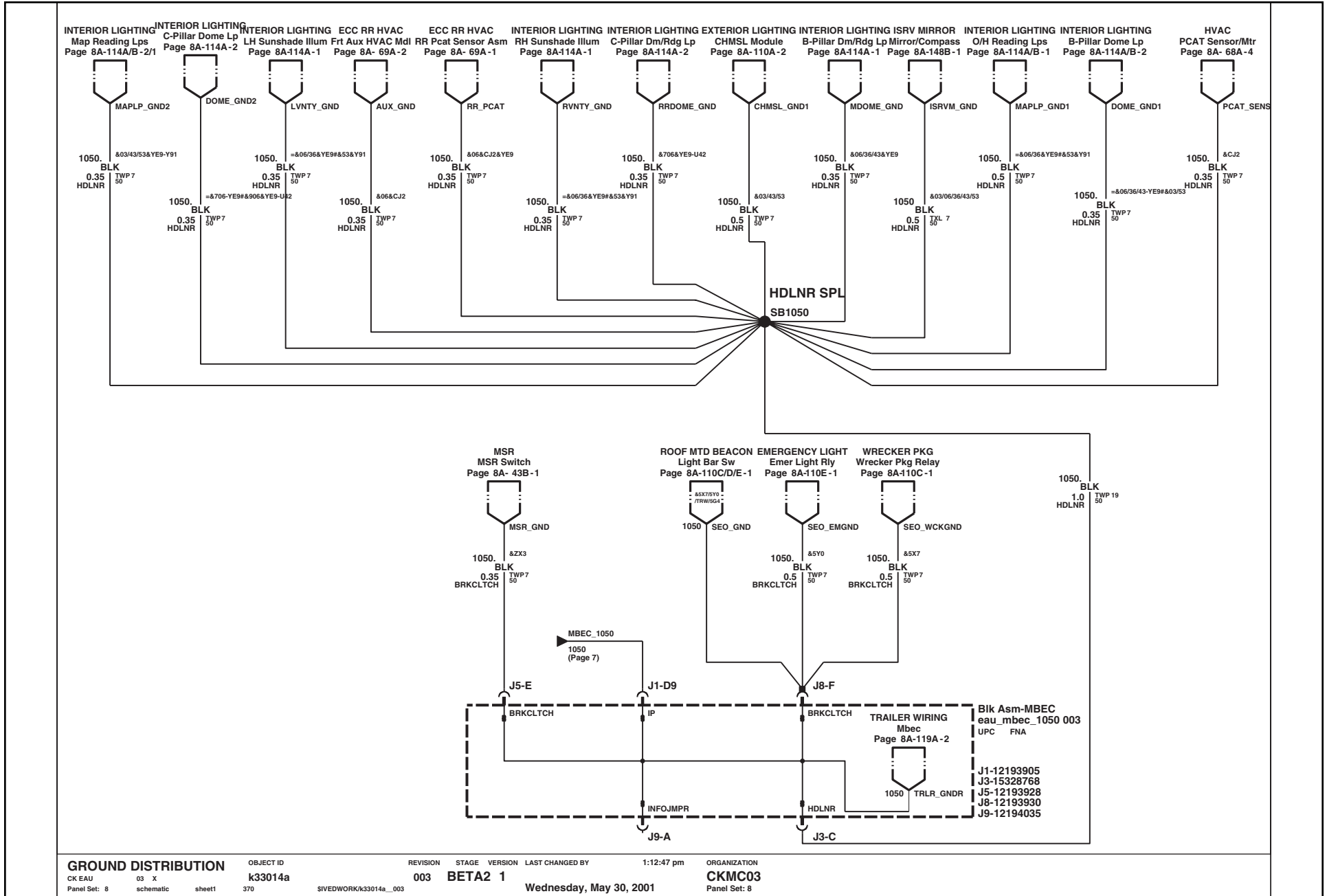
Wednesday, May 30, 2001

1:12:47 pm

ORGANIZATION  
CKMC03  
Panel Set: 7

# 2003 & BEYOND LIGHT DUTY C/K FULL-SIZE TRUCK ELECTRICAL

## Ground Distribution



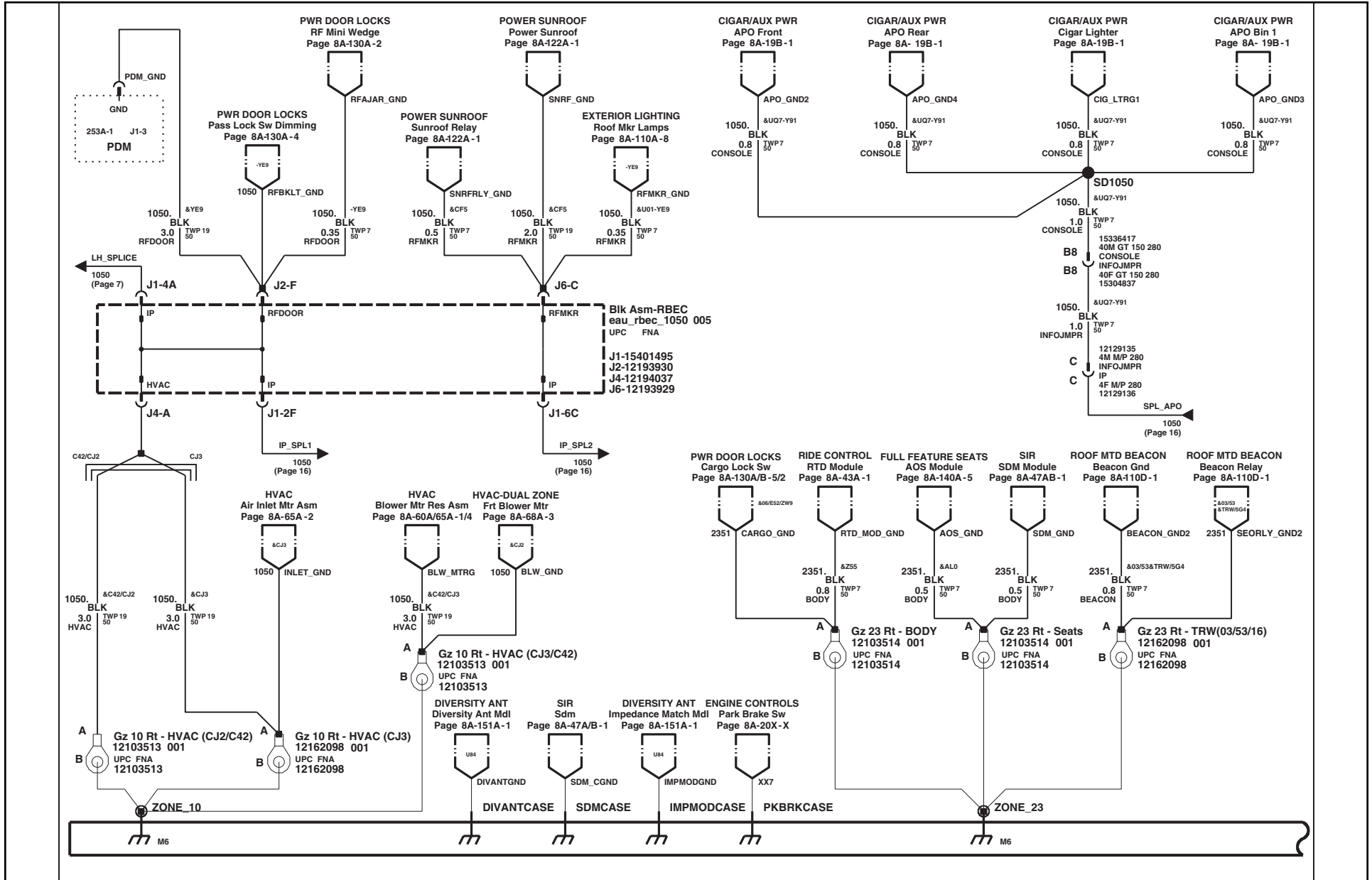
**GROUND DISTRIBUTION**  
 CK EAU 03 X  
 Panel Set: 8 schematic sheet1 370

OBJECT ID  
 k33014a  
 SIVEDWORK/k33014a\_003

REVISION STAGE VERSION LAST CHANGED BY 1:12:47 pm  
 003 BETA2 1  
 Wednesday, May 30, 2001

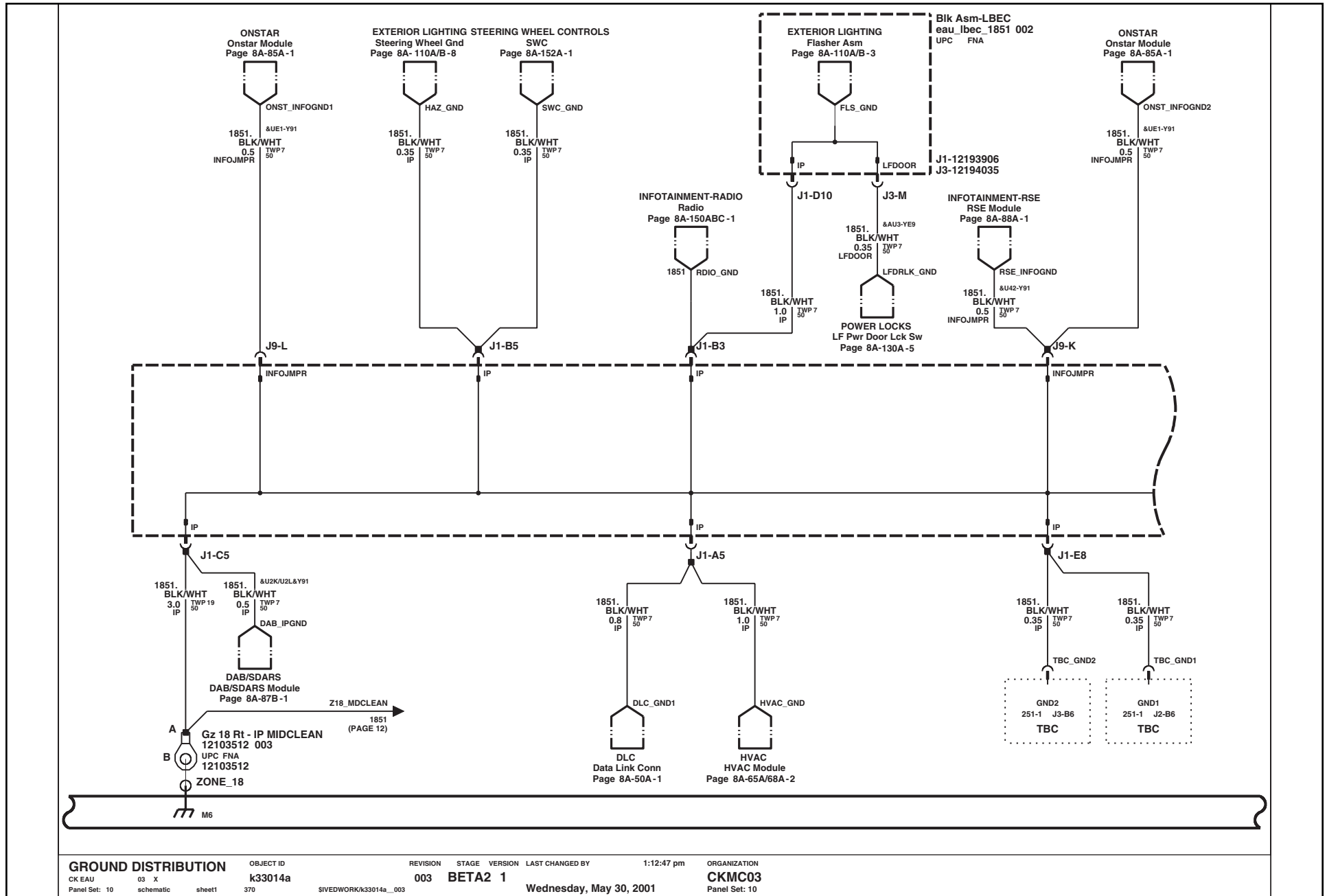
ORGANIZATION  
 CKMC03  
 Panel Set: 8

## Ground Distribution



<b>GROUND DISTRIBUTION</b>	OBJECT ID	REVISION	STAGE	VERSION	LAST CHANGED BY	1:12:47 pm	ORGANIZATION
CK EAU	k33014a	003	BETA2	1			CKMC03
Panel Set: 9	schematic sheet1	370			Wednesday, May 30, 2001		Panel Set: 9

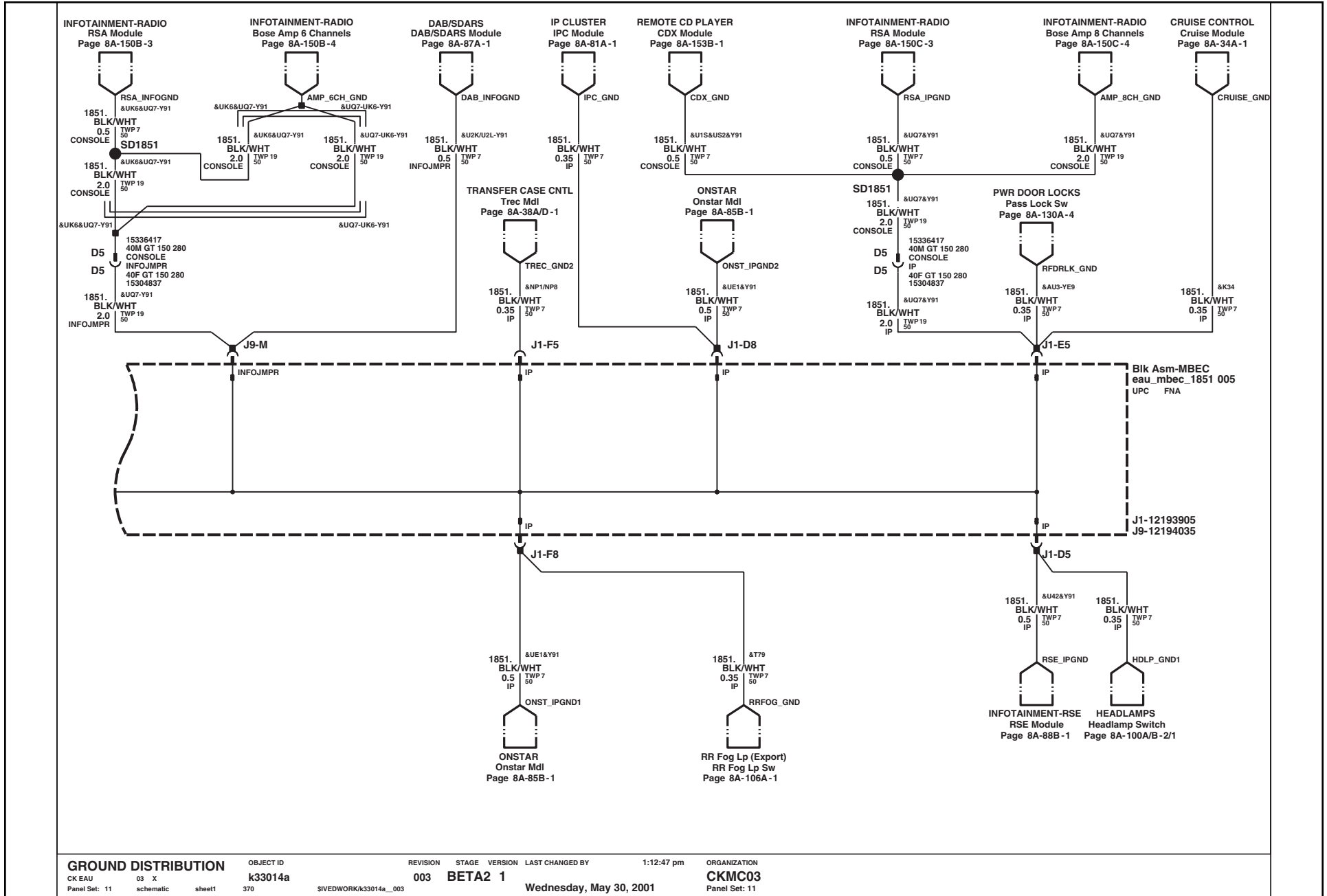
## Ground Distribution



<b>GROUND DISTRIBUTION</b>		OBJECT ID	REVISION	STAGE	VERSION	LAST CHANGED BY	1:12:47 pm	ORGANIZATION
CK EAU	03 X	k33014a	003	BETA2	1			CKMC03
Panel Set: 10	schematic	sheet1	370	SIVEDWORK/k33014a_003		Wednesday, May 30, 2001		Panel Set: 10

# 2003 & BEYOND LIGHT DUTY C/K FULL-SIZE TRUCK ELECTRICAL

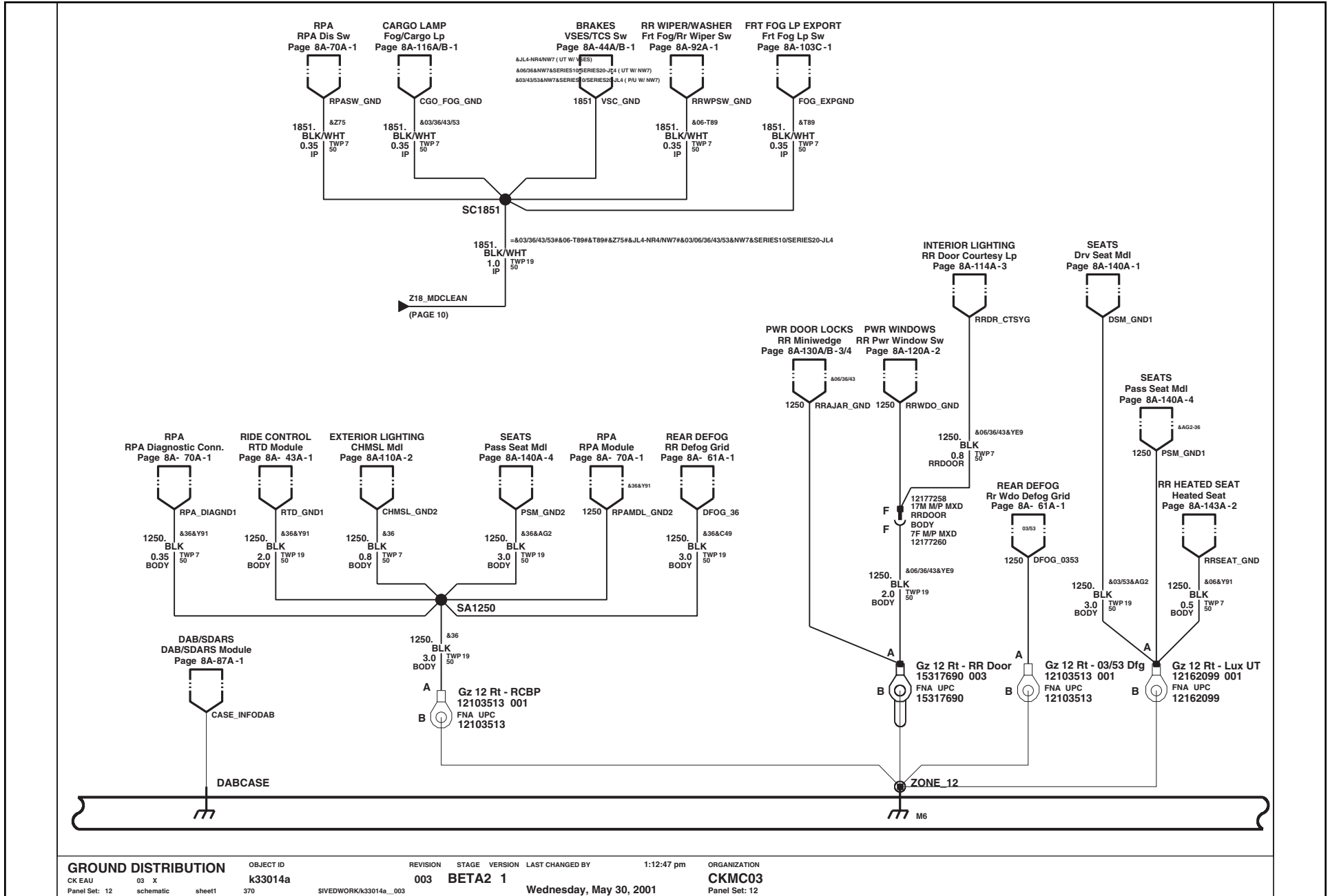
## Ground Distribution



**GROUND DISTRIBUTION**

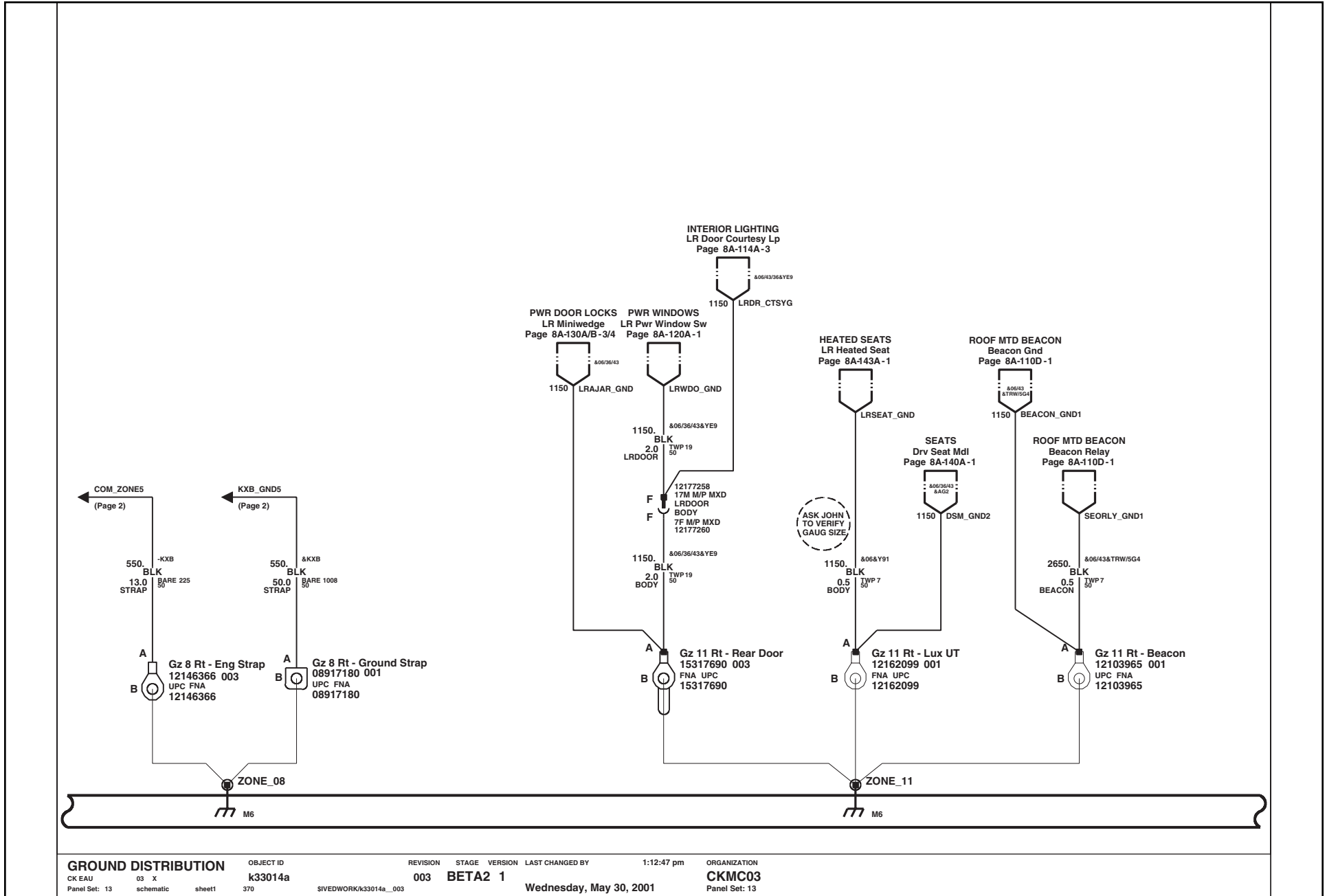
CK EAU 03 X Panel Set: 11 schematic sheet1 370  
 OBJECT ID k33014a  
 REVISION 003 STAGE BETA2 1 VERSION 1 LAST CHANGED BY Wednesday, May 30, 2001  
 1:12:47 pm ORGANIZATION CKMC03 Panel Set: 11

## Ground Distribution

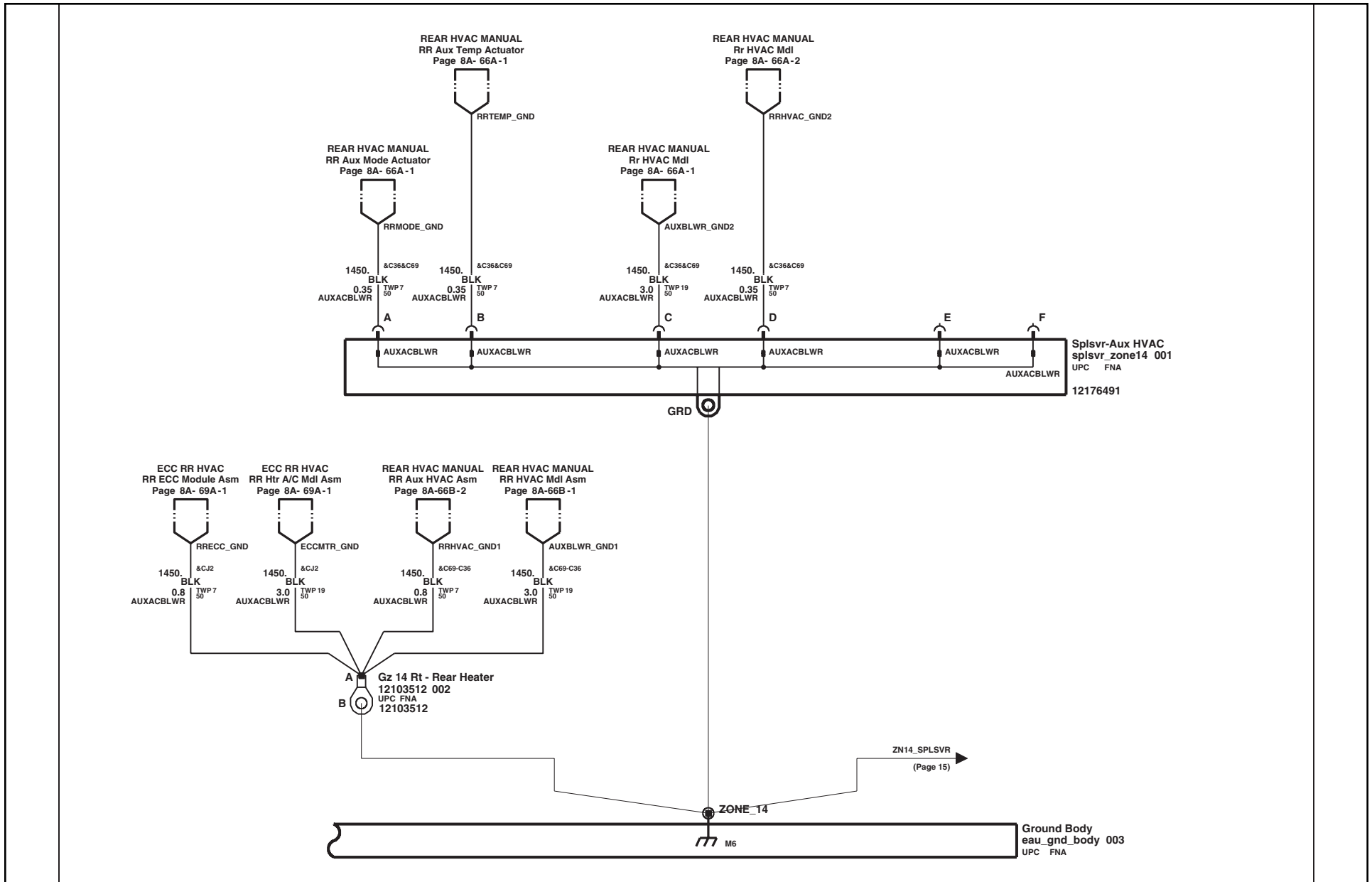


GROUND DISTRIBUTION	OBJECT ID	REVISION	STAGE	VERSION	LAST CHANGED BY	1:12:47 pm	ORGANIZATION
CK EAU	03 X	003	BETA2	1			CKMC03
Panel Set: 12	schematic sheet1	370			SIVEDWORK/k33014a_003	Wednesday, May 30, 2001	Panel Set: 12

## Ground Distribution



## Ground Distribution



**GROUND DISTRIBUTION**  
 CK EAU 03 X  
 Panel Set: 14 schematic sheet1

OBJECT ID  
 k33014a

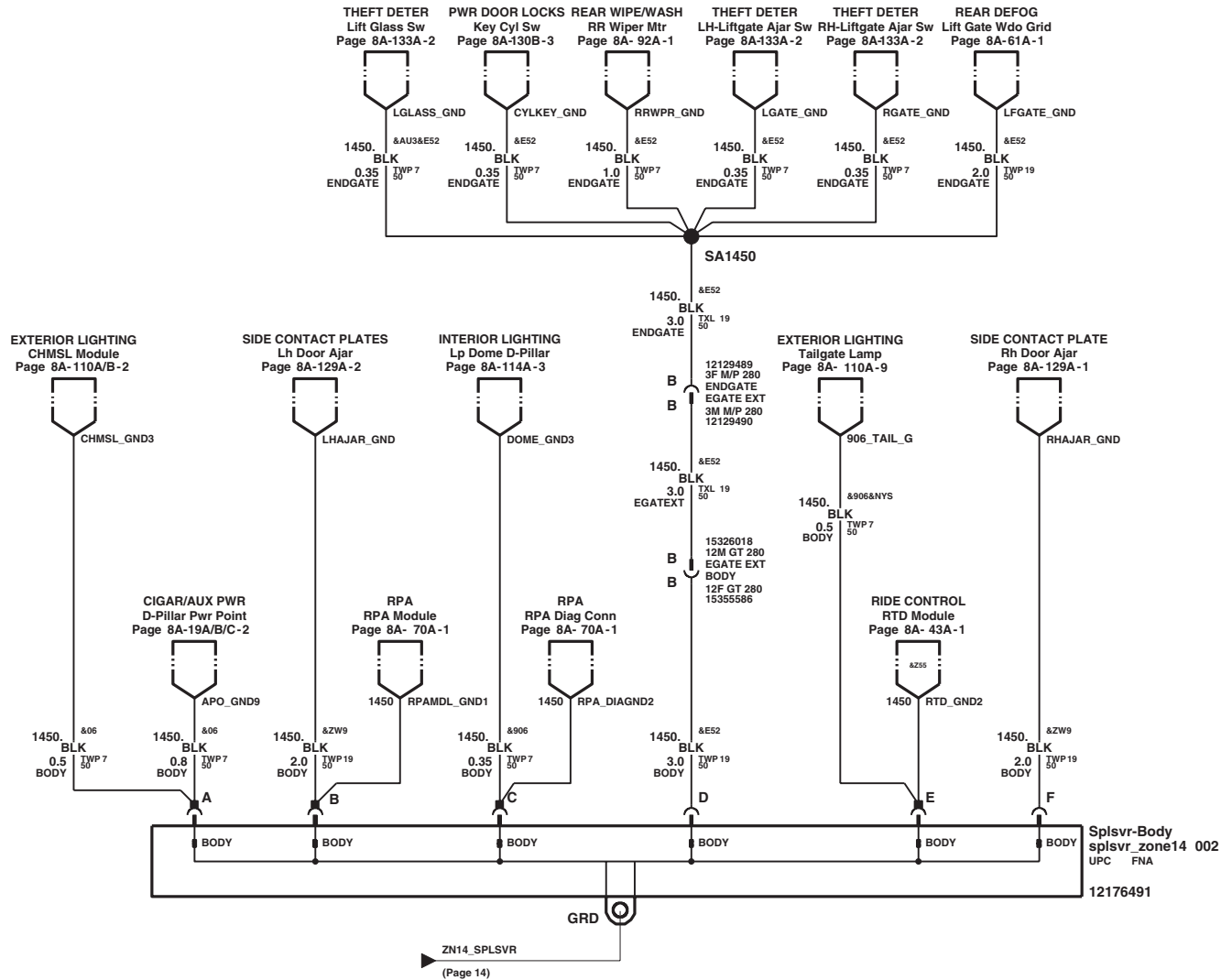
REVISION STAGE VERSION LAST CHANGED BY  
 003 BETA2 1  
 SIVEDWORK/k33014a\_003

1:12:47 pm  
 Wednesday, May 30, 2001

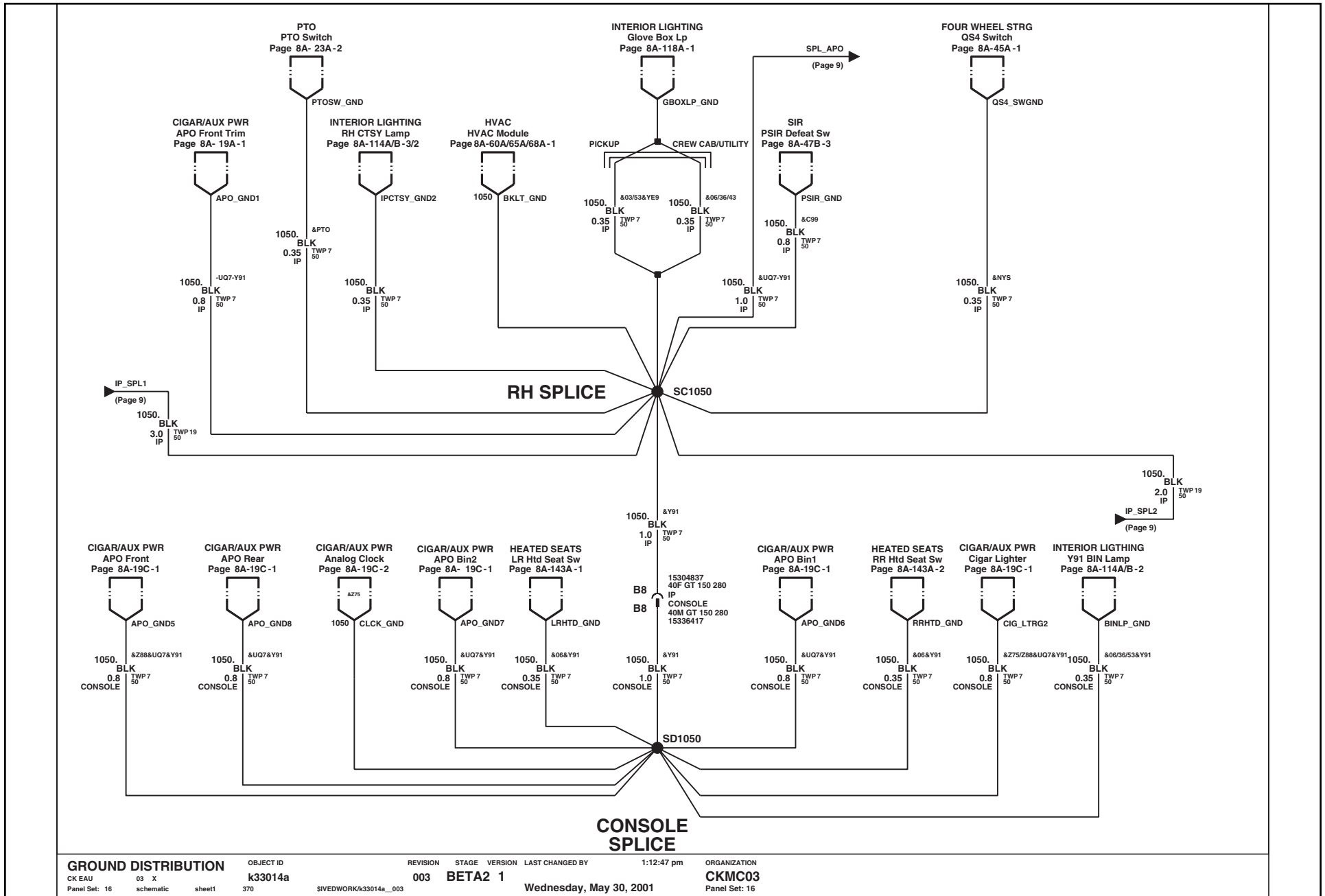
ORGANIZATION  
 CKMC03  
 Panel Set: 14



## Ground Distribution

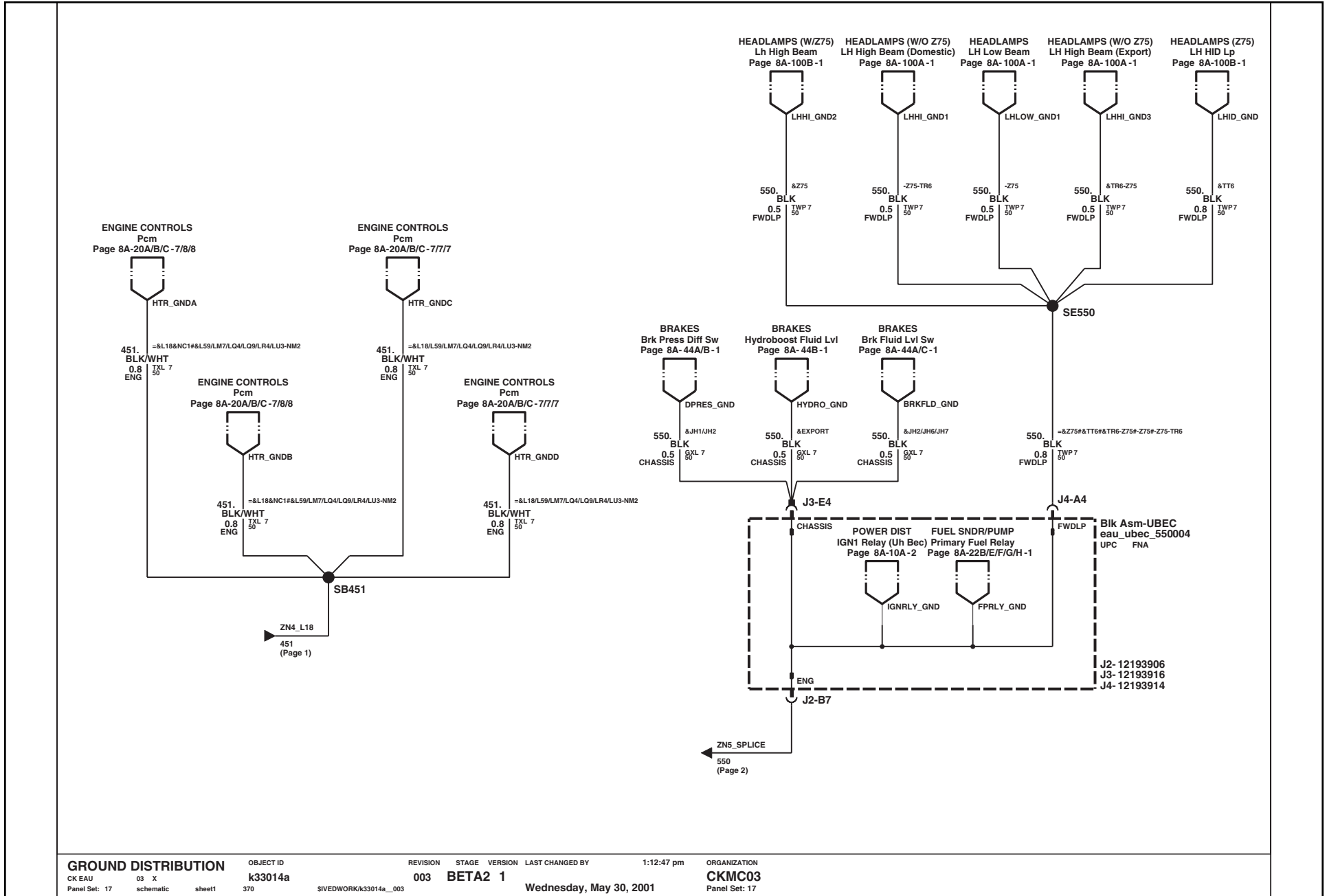


## Ground Distribution



<b>GROUND DISTRIBUTION</b>	OBJECT ID	REVISION	STAGE	VERSION	LAST CHANGED BY	1:12:47 pm	ORGANIZATION
CK EAU	03 X	003	BETA2	1			CKMC03
Panel Set: 16	schematic	sheet1	370	SIVEDWORK/k33014a_003	Wednesday, May 30, 2001		Panel Set: 16

## Ground Distribution



**GROUND DISTRIBUTION**  
CK EAU 03 X  
Panel Set: 17 schematic sheet1 370

OBJECT ID  
k33014a

SIVEDWORK/k33014a\_003

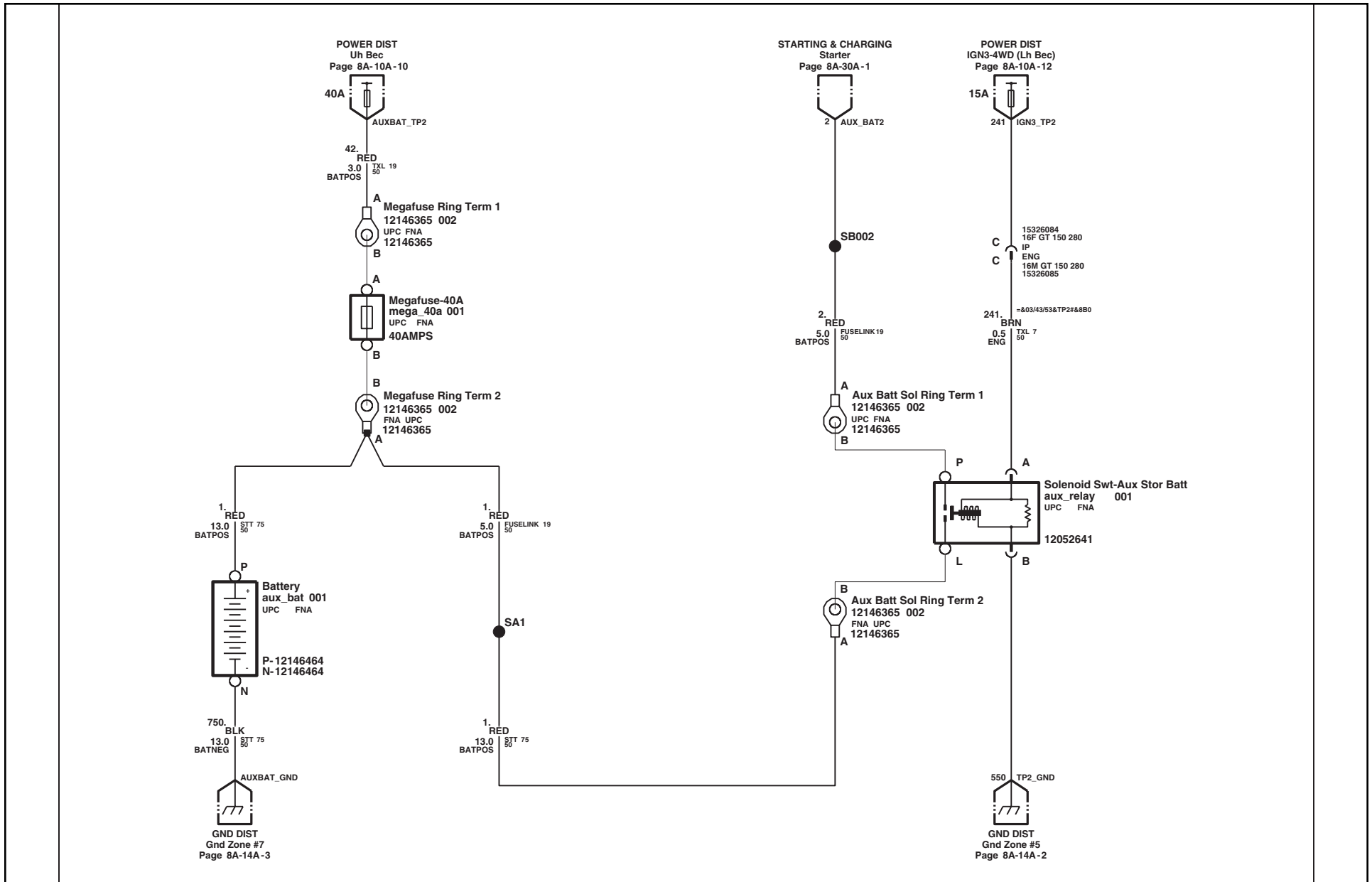
REVISION STAGE VERSION LAST CHANGED BY  
003 BETA2 1

Wednesday, May 30, 2001

1:12:47 pm

ORGANIZATION  
CKMC03  
Panel Set: 17

## Auxiliary Battery



**AUXILIARY/DUAL BATTERY**

CK EAU 03 X &TP2/8B0  
Panel Set: 1 schematic sheet1 61

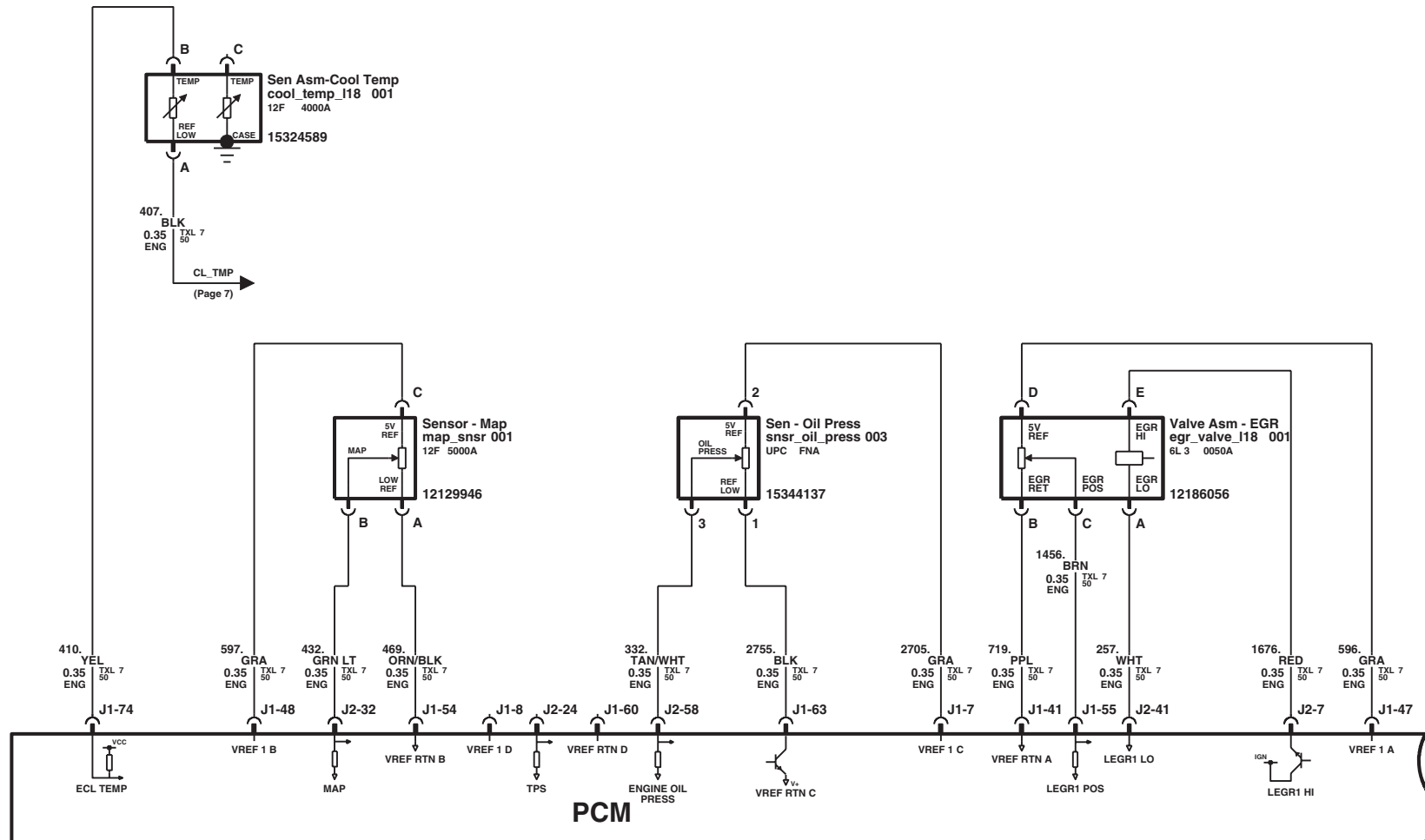
OBJECT ID  
k33017a

REVISION STAGE VERSION LAST CHANGED BY  
005 PROD 1 Thursday, January 3, 2002

6:18:15 pm

ORGANIZATION  
CKMC03  
Panel Set: 1

## Engine Controls: L18 – 8.1L Gas



ENGINE CONTROLS (L18 & M74/MN8/MT1/ML6)

CK EAU 03 X &L18 k33020a

Panel Set: 1 schematic sheet1 384

SIVEDWORK/k33020a\_009

REVISION STAGE VERSION LAST CHANGED BY

009 PROD 1 a

Friday, July 19, 2002

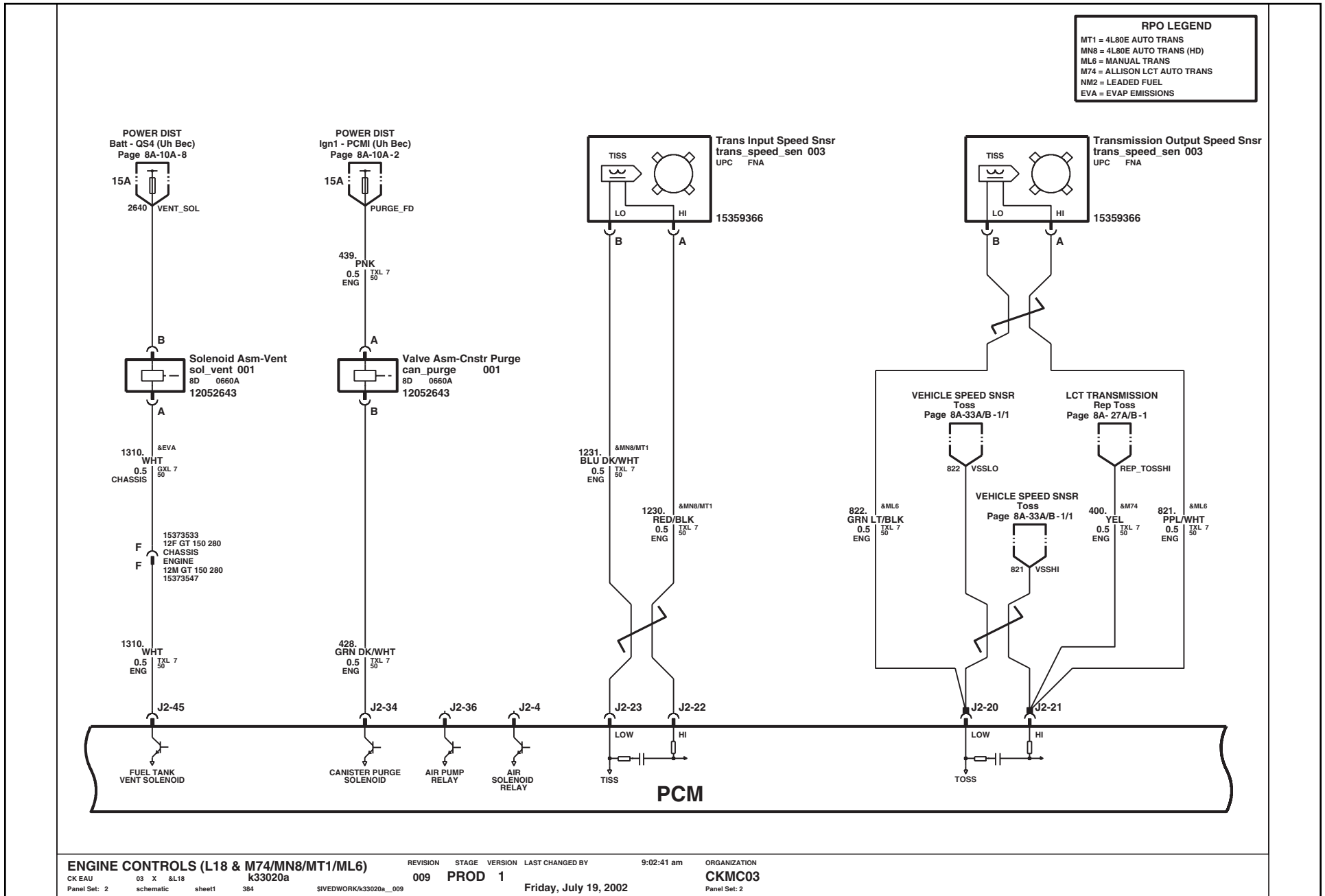
9:02:41 am

ORGANIZATION

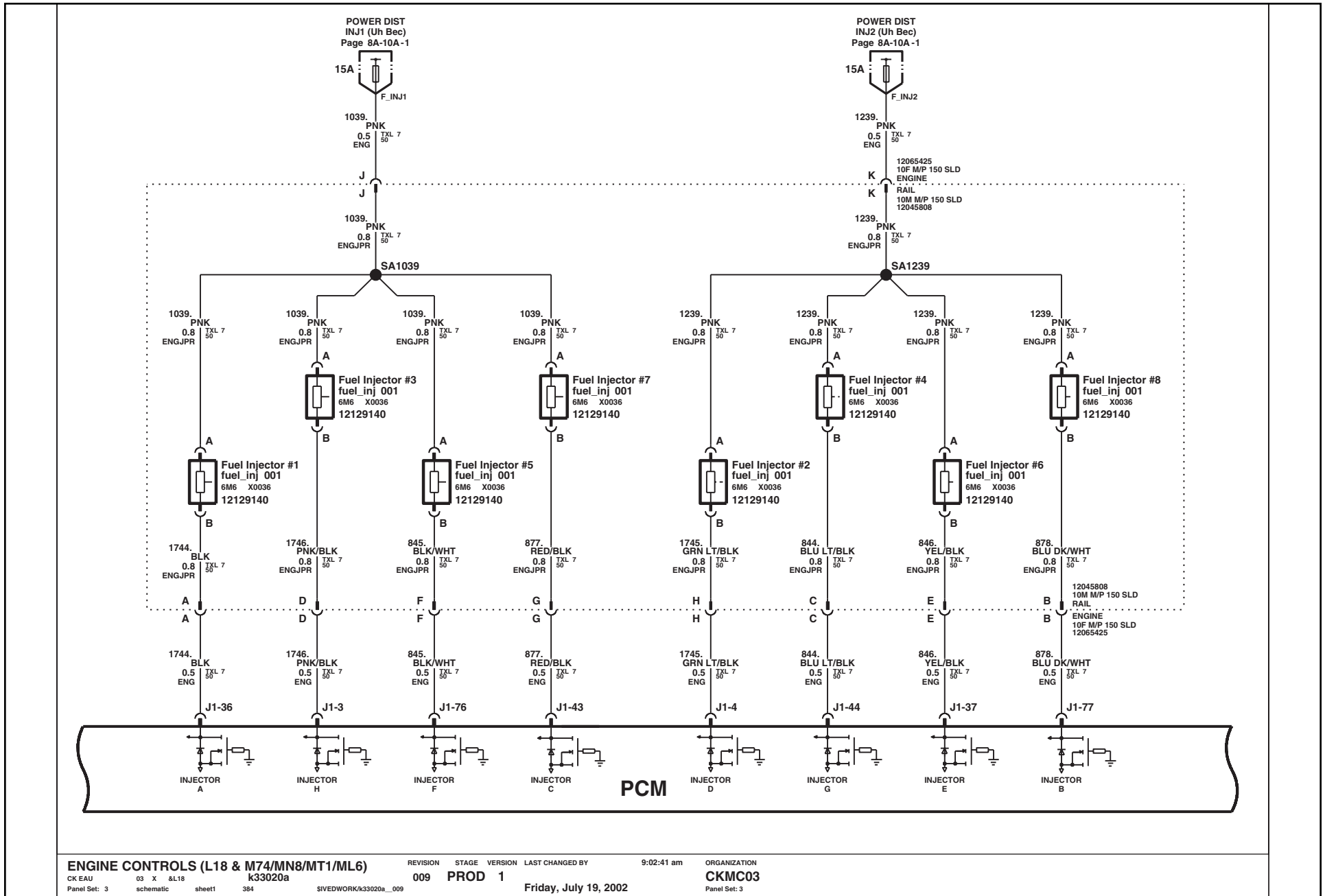
CKMC03

Panel Set: 1

## Engine Controls: L18 – 8.1L Gas



## Engine Controls: L18 – 8.1L Gas



ENGINE CONTROLS (L18 & M74/MN8/MT1/ML6)  
 CK EAU 03 X & L18 k33020a  
 Panel Set: 3 schematic sheet1 384 SIVEDWORK/k33020a\_009

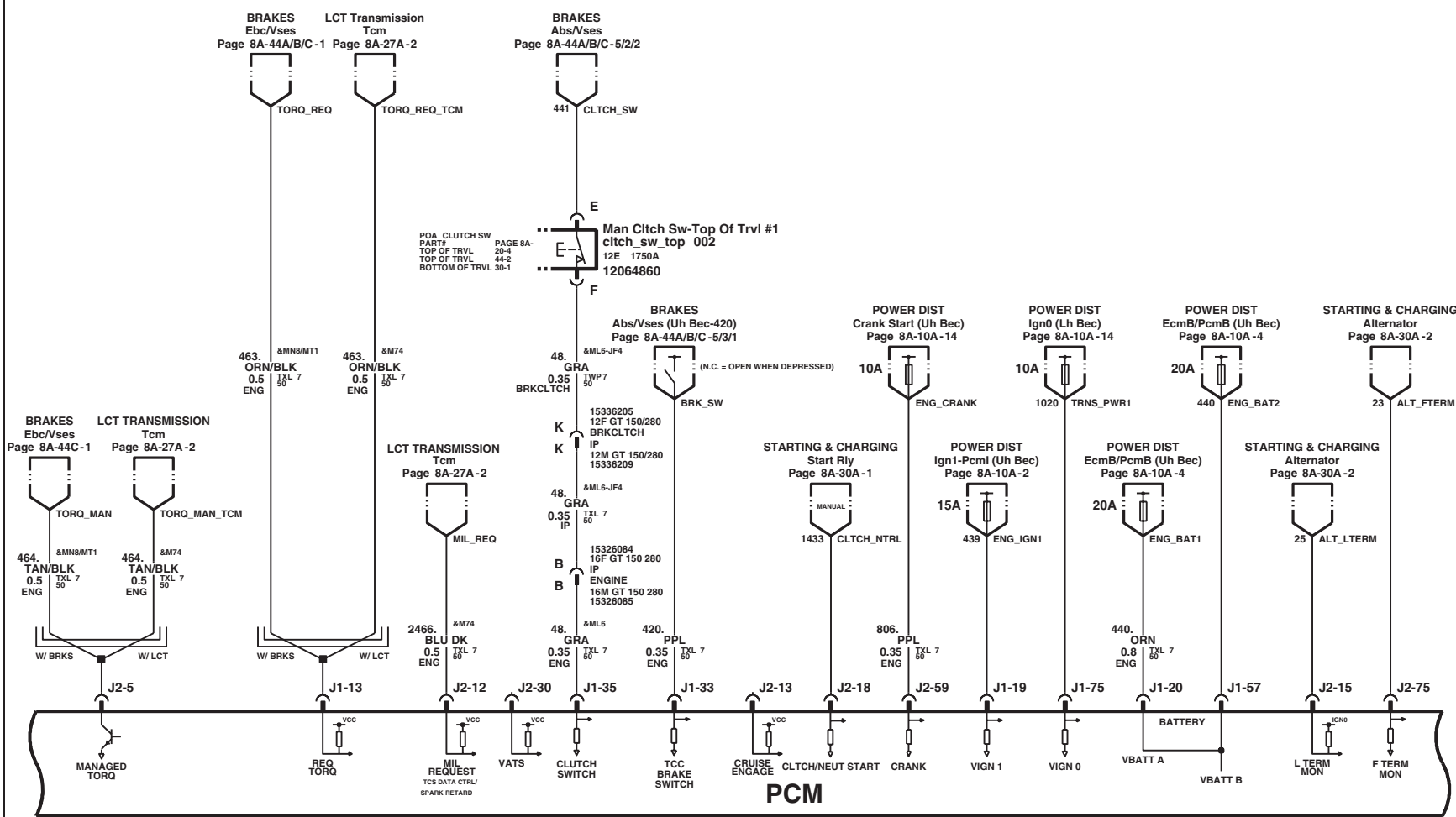
REVISION 009 STAGE PROD 1  
 LAST CHANGED BY Friday, July 19, 2002

9:02:41 am ORGANIZATION CKMC03  
 Panel Set: 3

# 2003 & BEYOND LIGHT DUTY C/K FULL-SIZE TRUCK ELECTRICAL

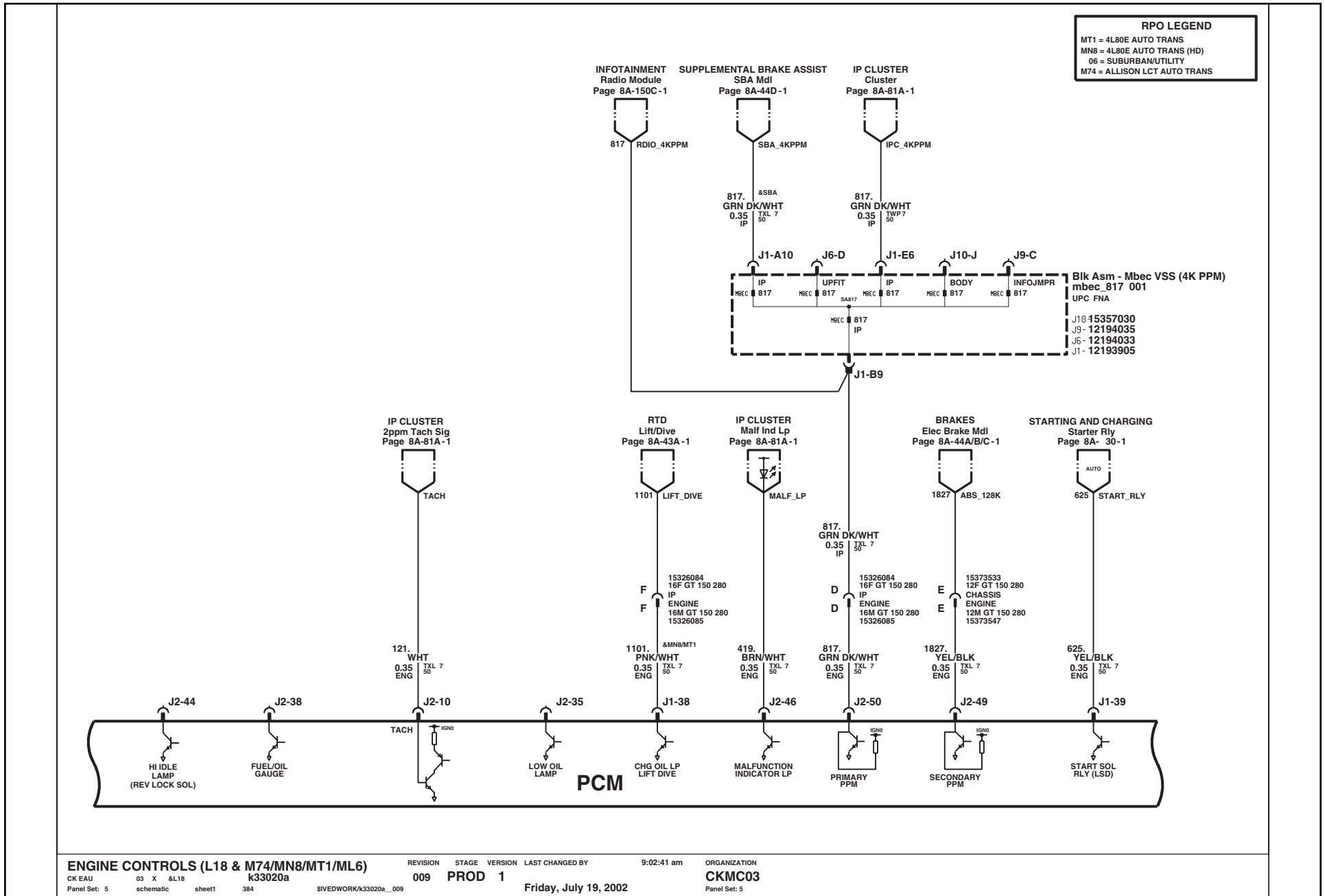
## Engine Controls: L18 – 8.1L Gas

**RPO LEGEND**  
 MT1 = 4L80E AUTO TRANS  
 MN8 = 4L80E AUTO TRANS (HD)  
 ML6 = MANUAL TRANS  
 M74 = ALLISON LCT AUTO TRANS





## Engine Controls: L18 – 8.1L Gas



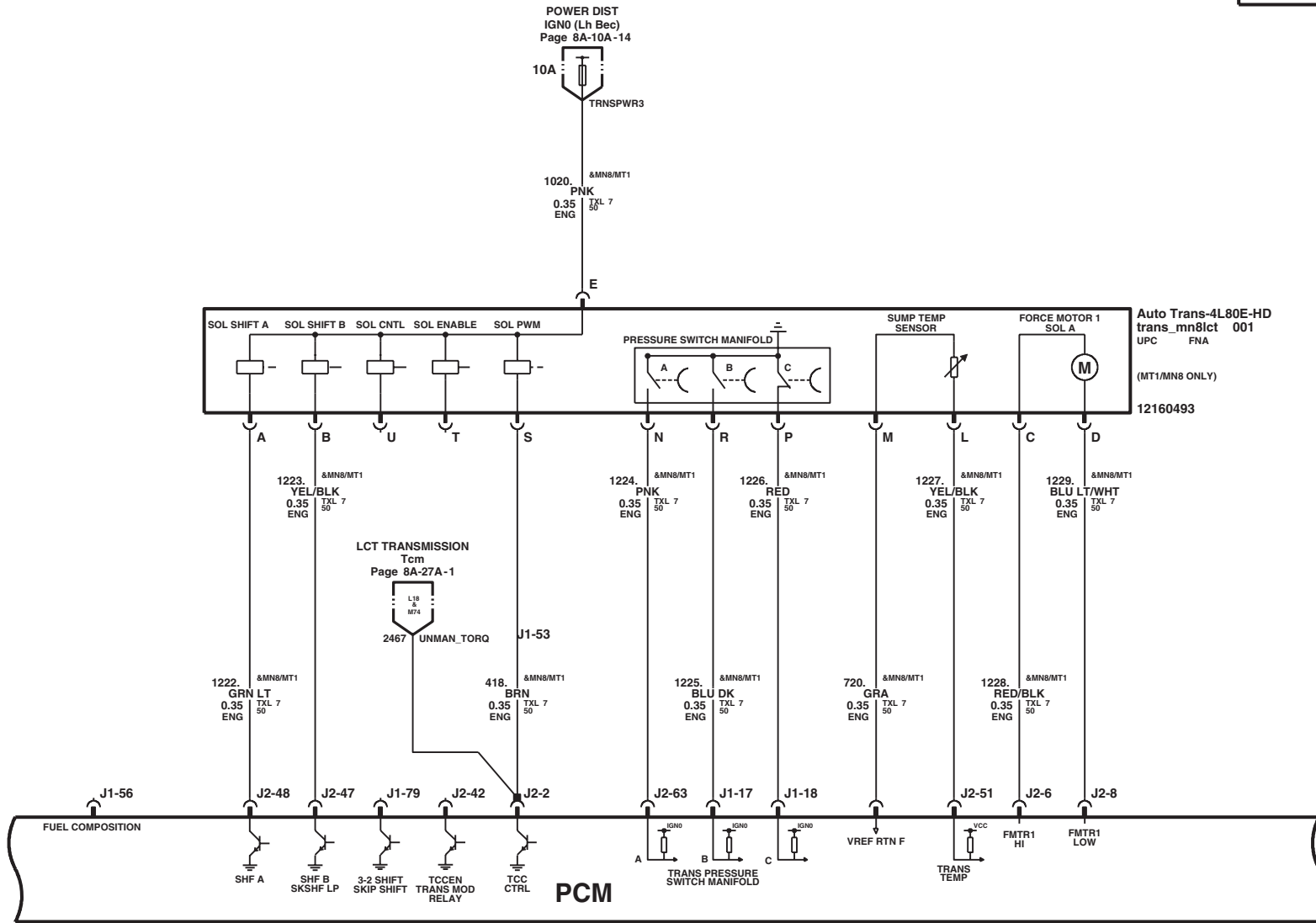
**ENGINE CONTROLS (L18 & M74/MN8/MT1/ML6)**  
 CK EAU 03 X &L18 k33020a  
 Panel Set: 5 schematic sheet1 384 SIVEDWORK/k33020a\_009

REVISION 009 STAGE PROD 1 VERSION 1 LAST CHANGED BY Friday, July 19, 2002

9:02:41 am ORGANIZATION CKMC03 Panel Set: 5

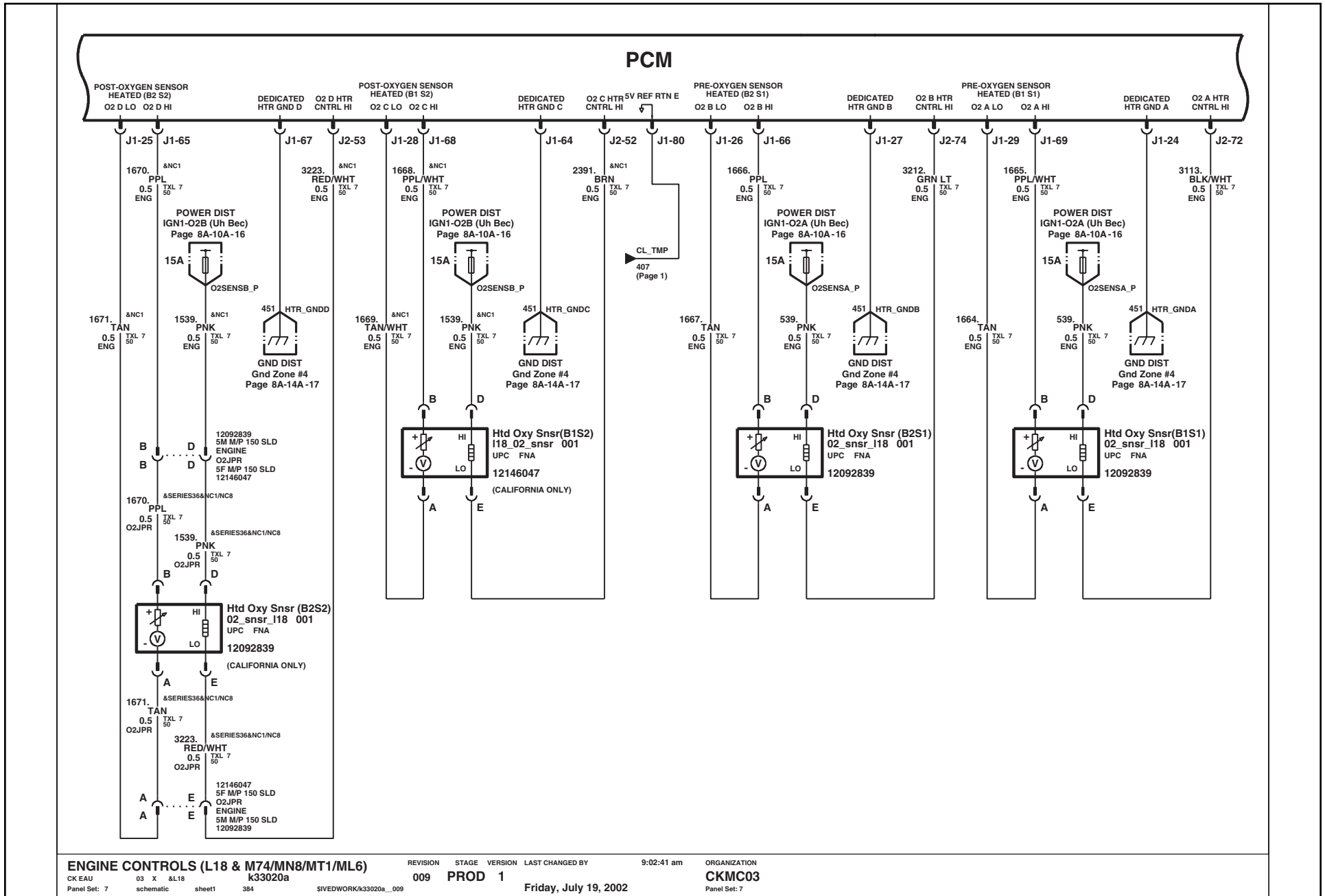
## Engine Controls: L18 – 8.1L Gas

**RPO LEGEND**  
 MT1 - 4L80E AUTO TRANS  
 MN8 - 4L80E AUTO TRANS (HD)



# 2003 & BEYOND LIGHT DUTY C/K FULL-SIZE TRUCK ELECTRICAL

## Engine Controls: L18 - 8.1L Gas



ENGINE CONTROLS (L18 & M74/MN8/MT1/ML6)

CK EAU 03 X &L18 k33020a  
Panel Set: 7 schematic sheet1 384

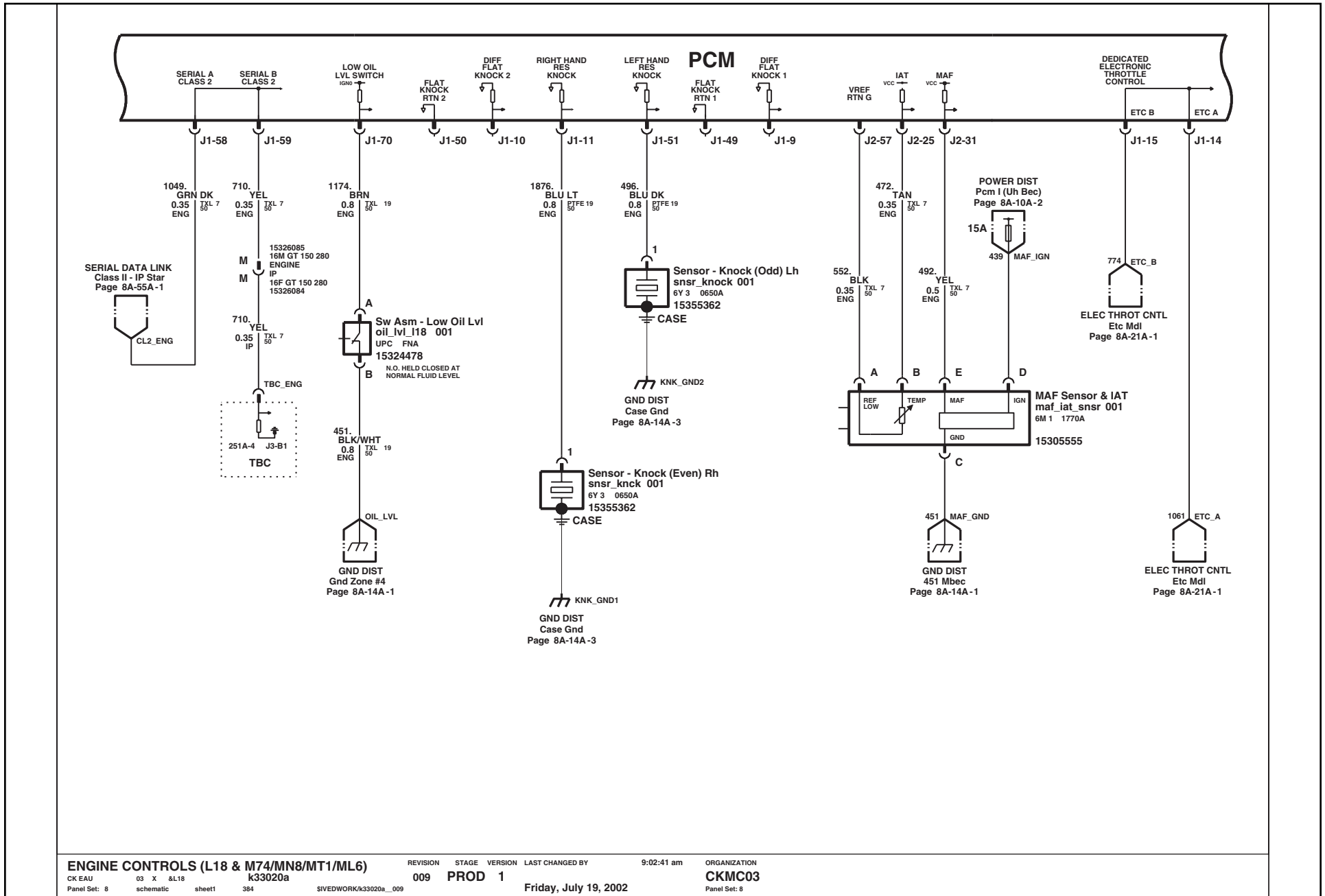
REVISION STAGE VERSION LAST CHANGED BY  
009 PROD 1

9:02:41 am

ORGANIZATION  
CKMC03  
Panel Set: 7

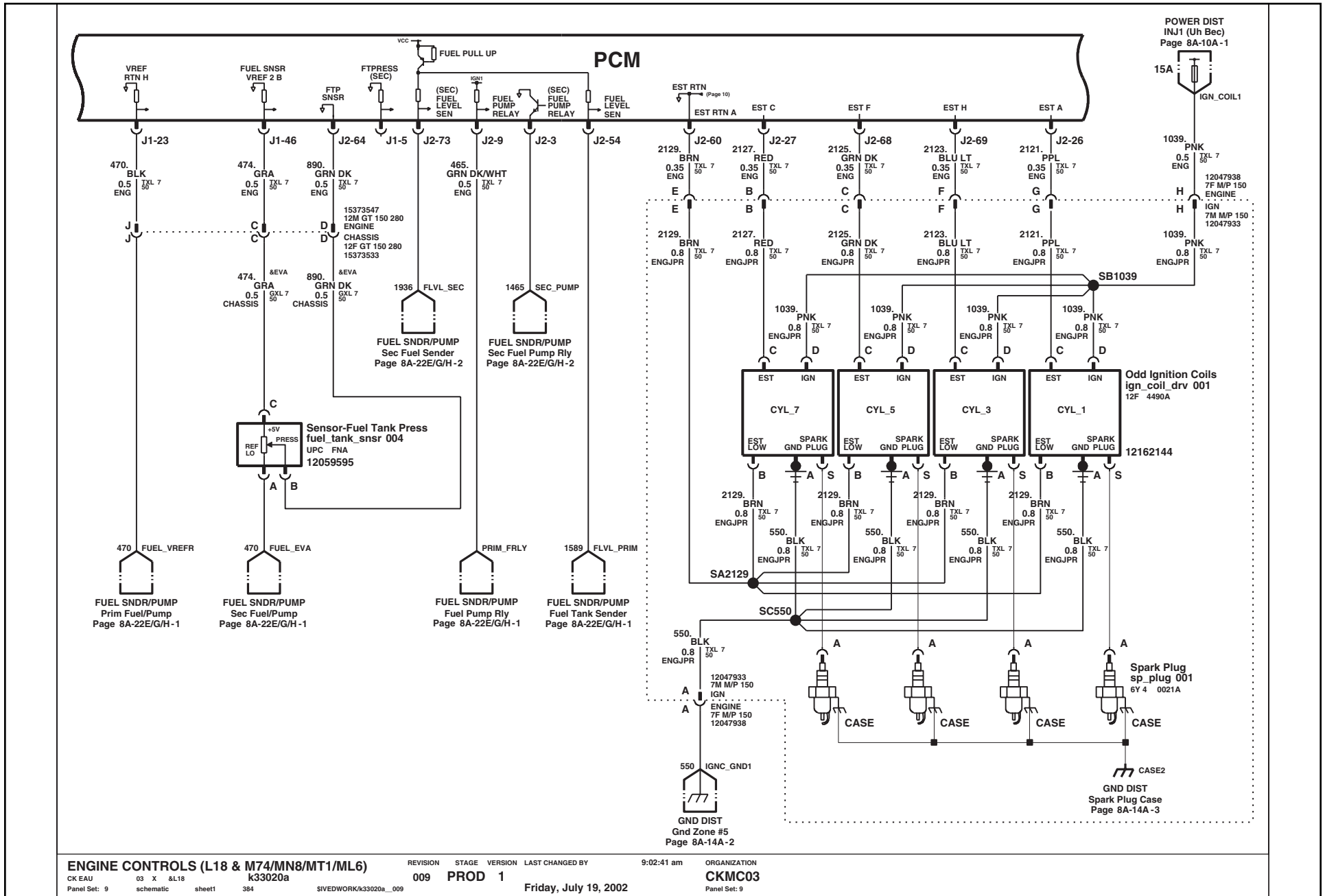
Friday, July 19, 2002

## Engine Controls: L18 - 8.1L Gas



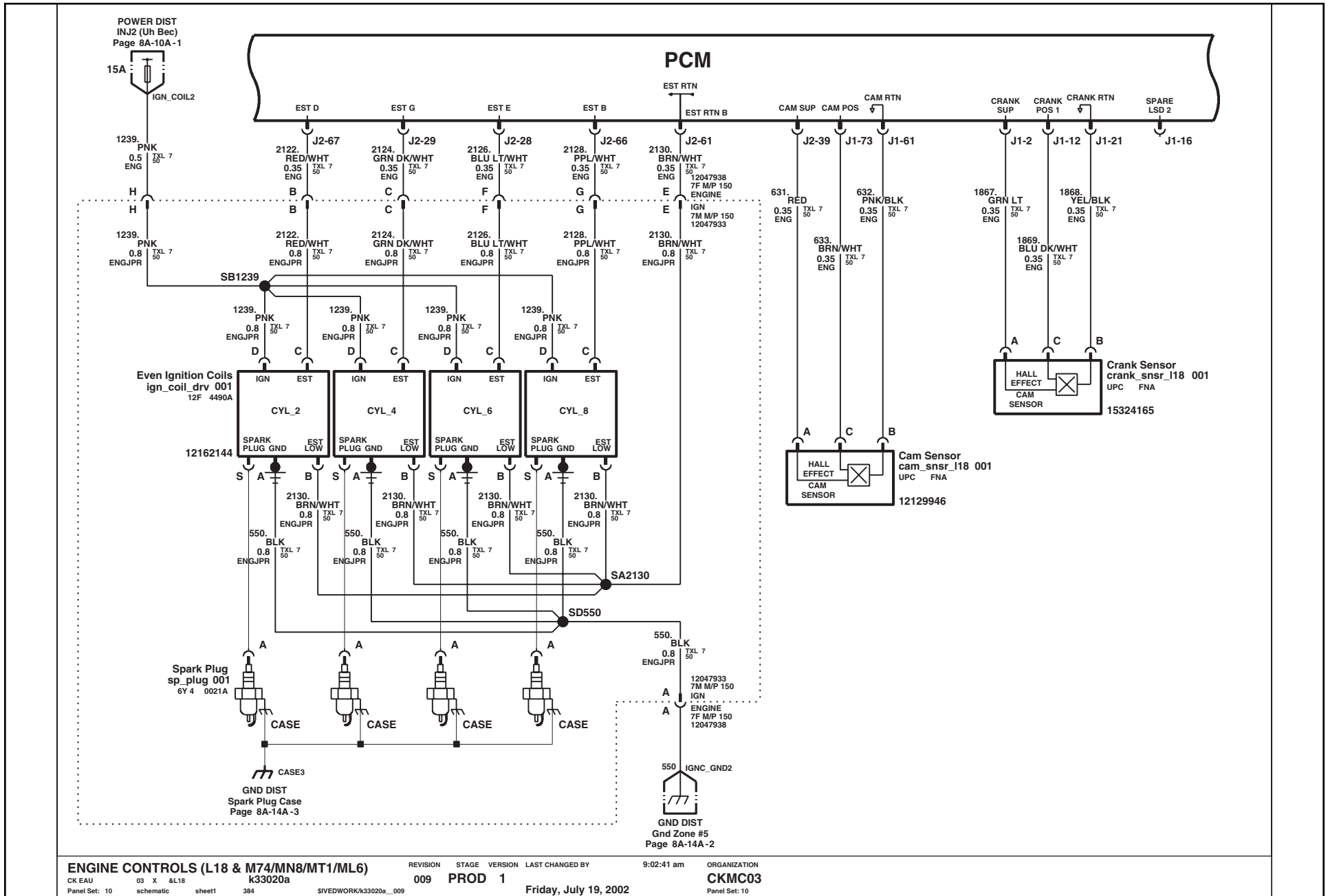
# 2003 & BEYOND LIGHT DUTY C/K FULL-SIZE TRUCK ELECTRICAL

## Engine Controls: L18 - 8.1L Gas

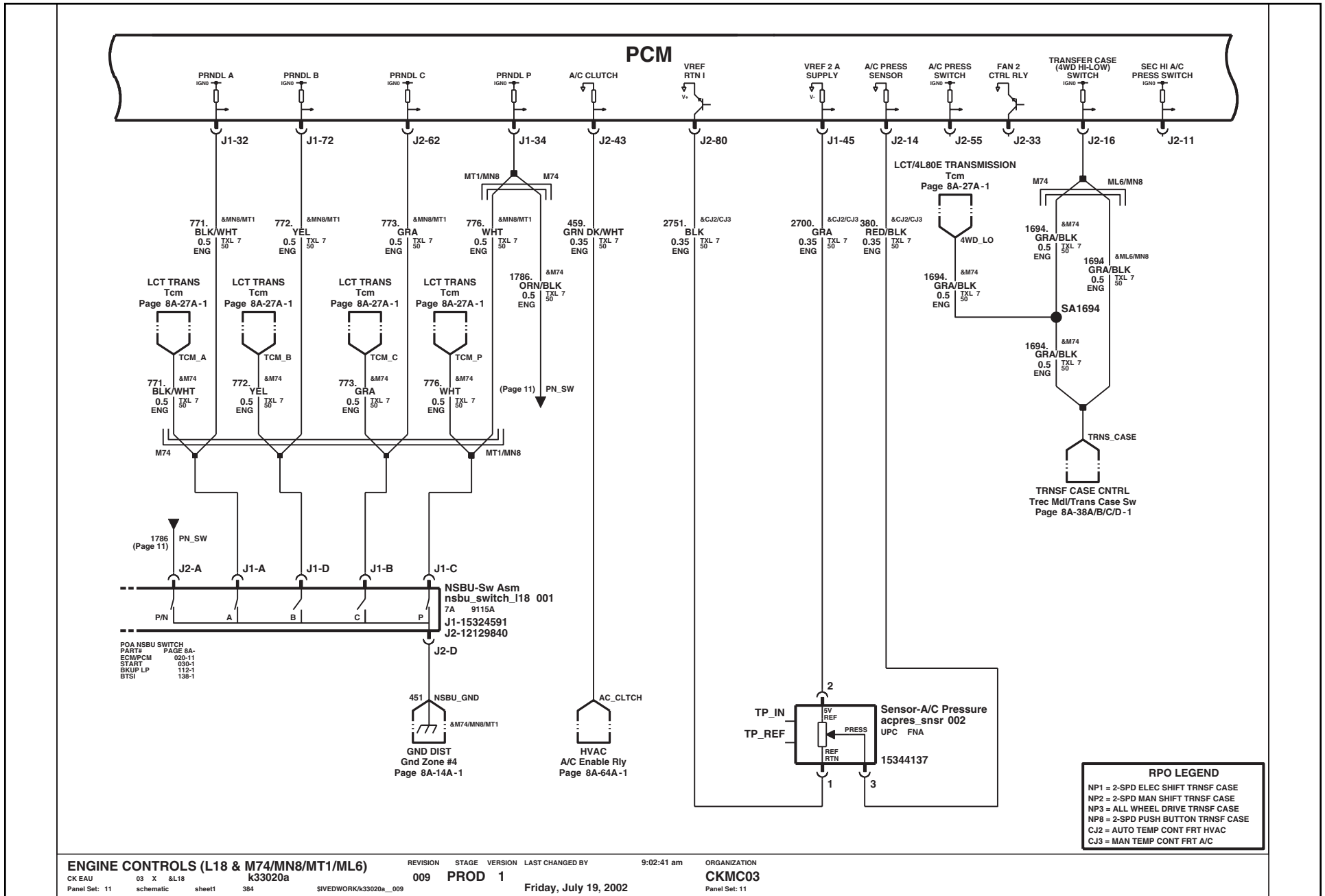


# 2003 & BEYOND LIGHT DUTY C/K FULL-SIZE TRUCK ELECTRICAL

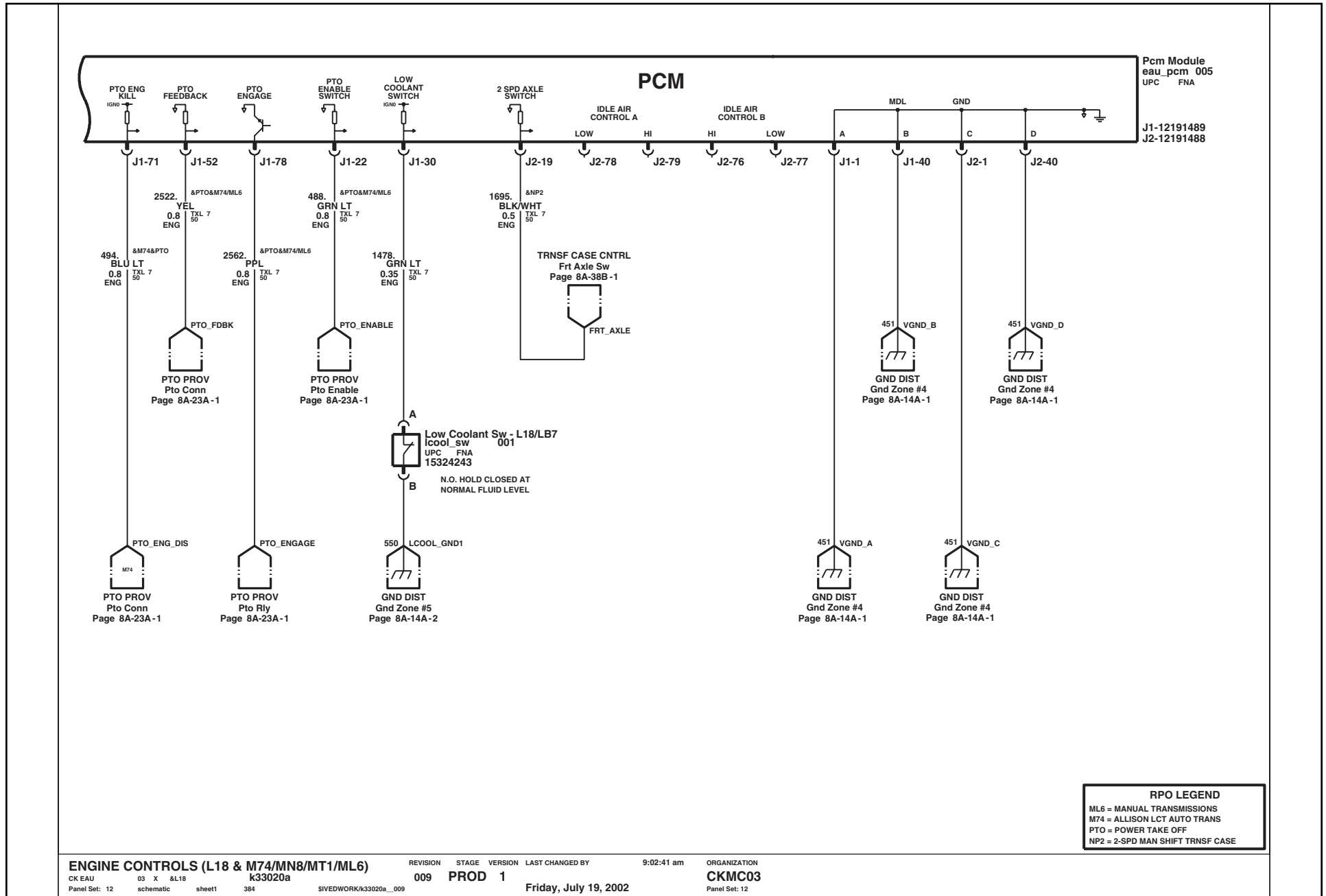
## Engine Controls: L18 – 8.1L Gas



## Engine Controls: L18 – 8.1L Gas

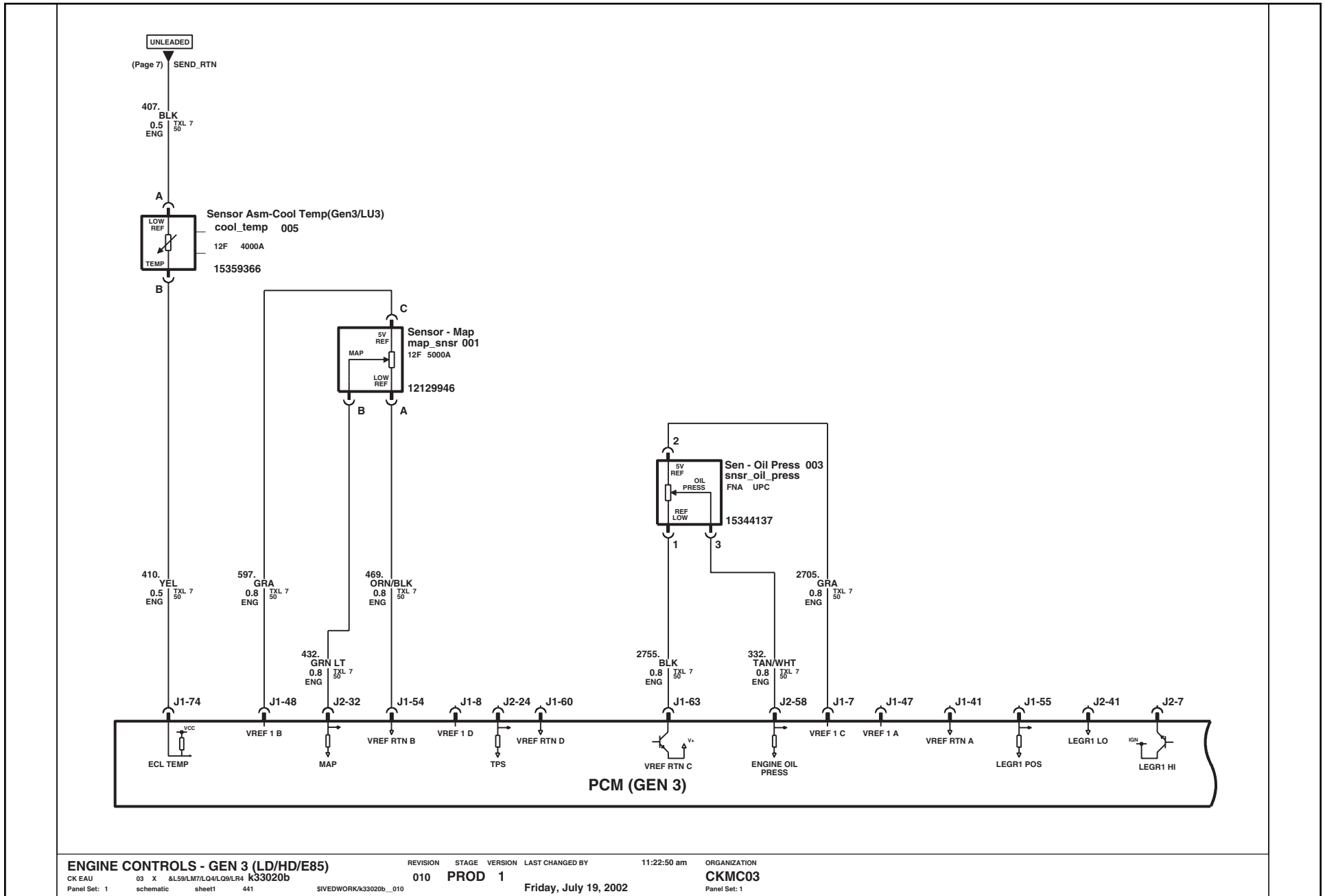


## Engine Controls: L18 – 8.1L Gas





## Engine Controls: GEN 3 PCM



ENGINE CONTROLS - GEN 3 (LD/HD/E85)

CK EAU 03 X &LS9/LM7/LQ4/LQ9/LR4 k33020b

Panel Set: 1 schematic sheet1 441

REVISION STAGE VERSION LAST CHANGED BY

010 PROD 1

11:22:50 am

ORGANIZATION

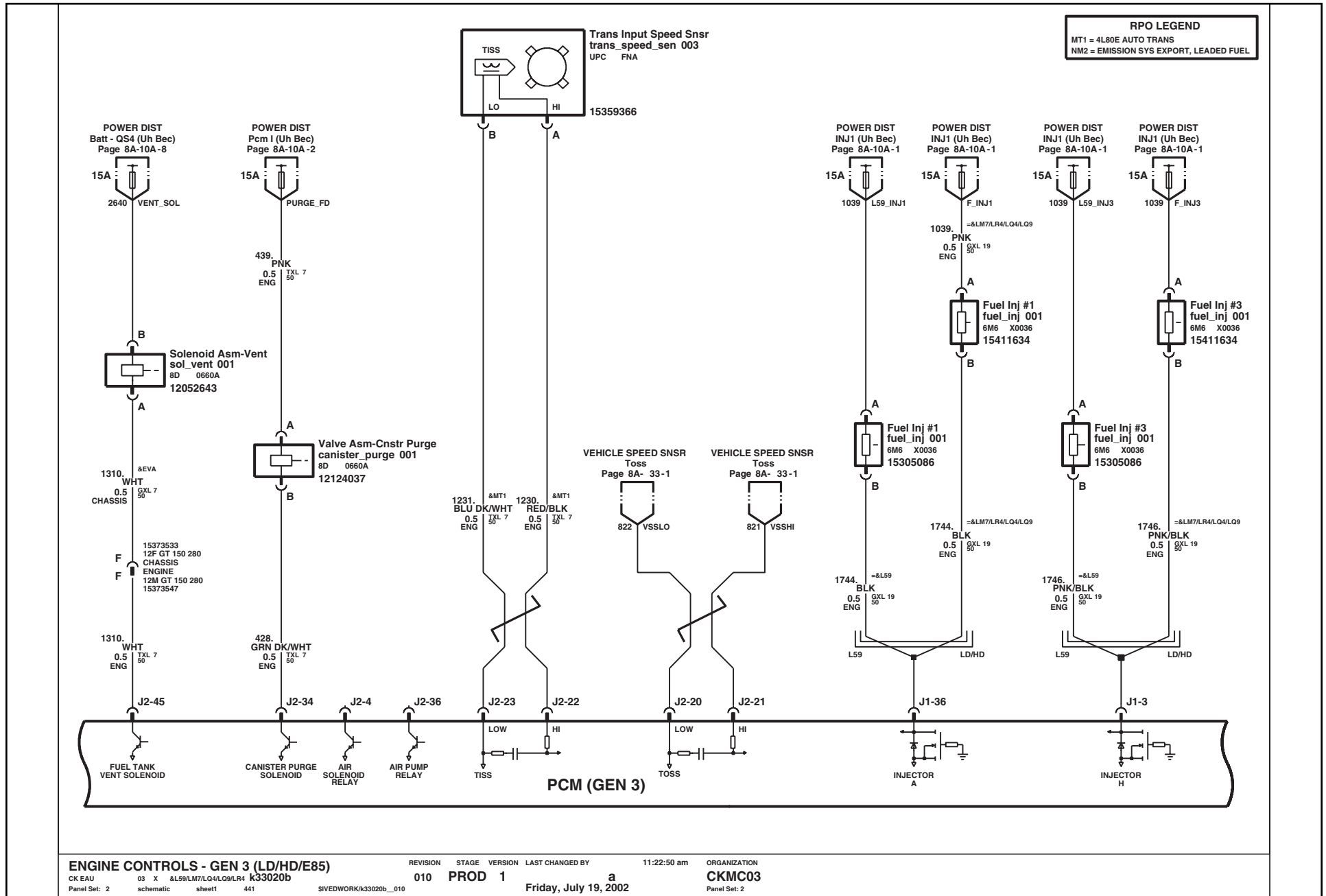
CKMC03

Panel Set: 1

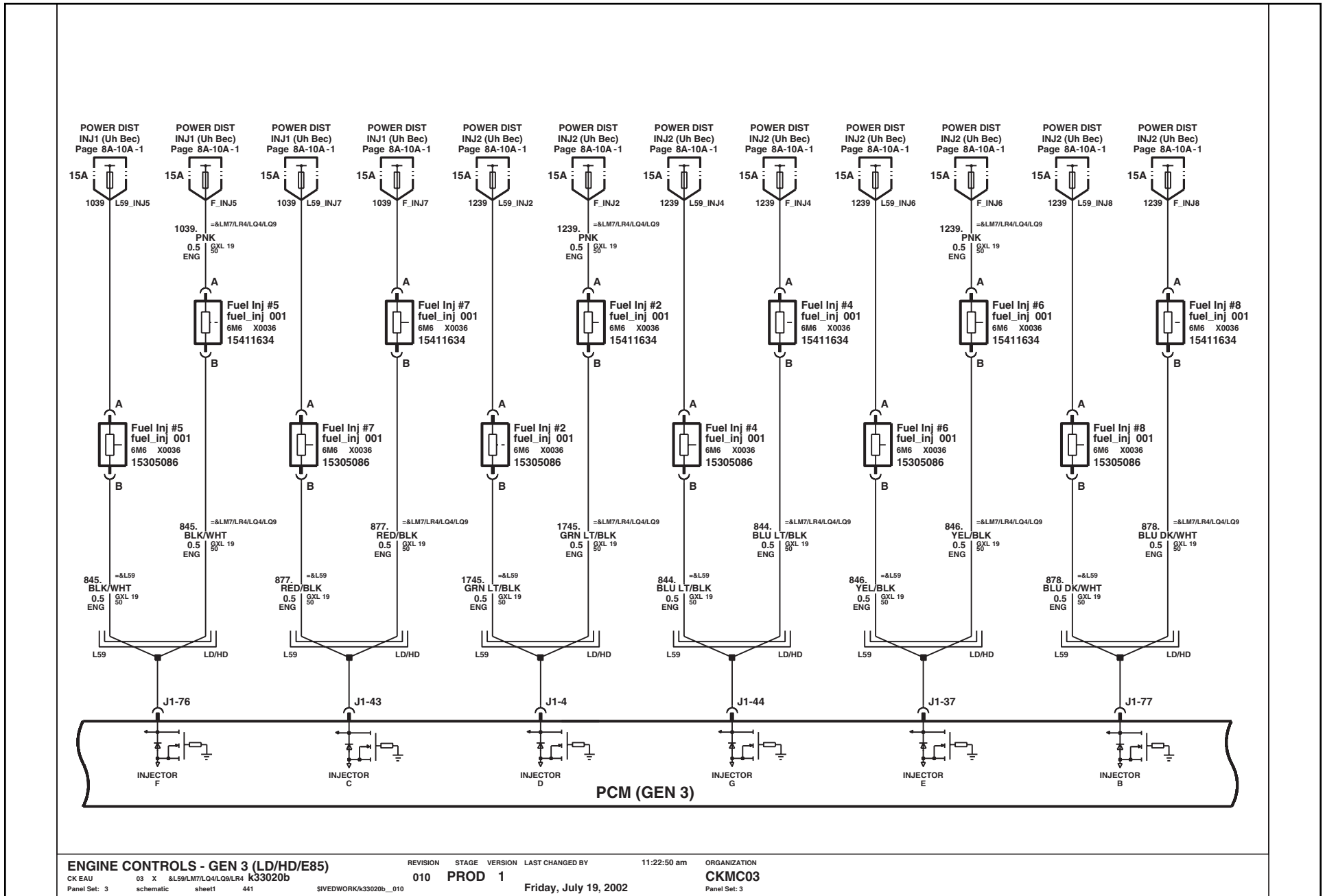
SIVEDWORK/k33020b\_010

Friday, July 19, 2002

## Engine Controls: GEN 3 PCM



## Engine Controls: GEN 3 PCM



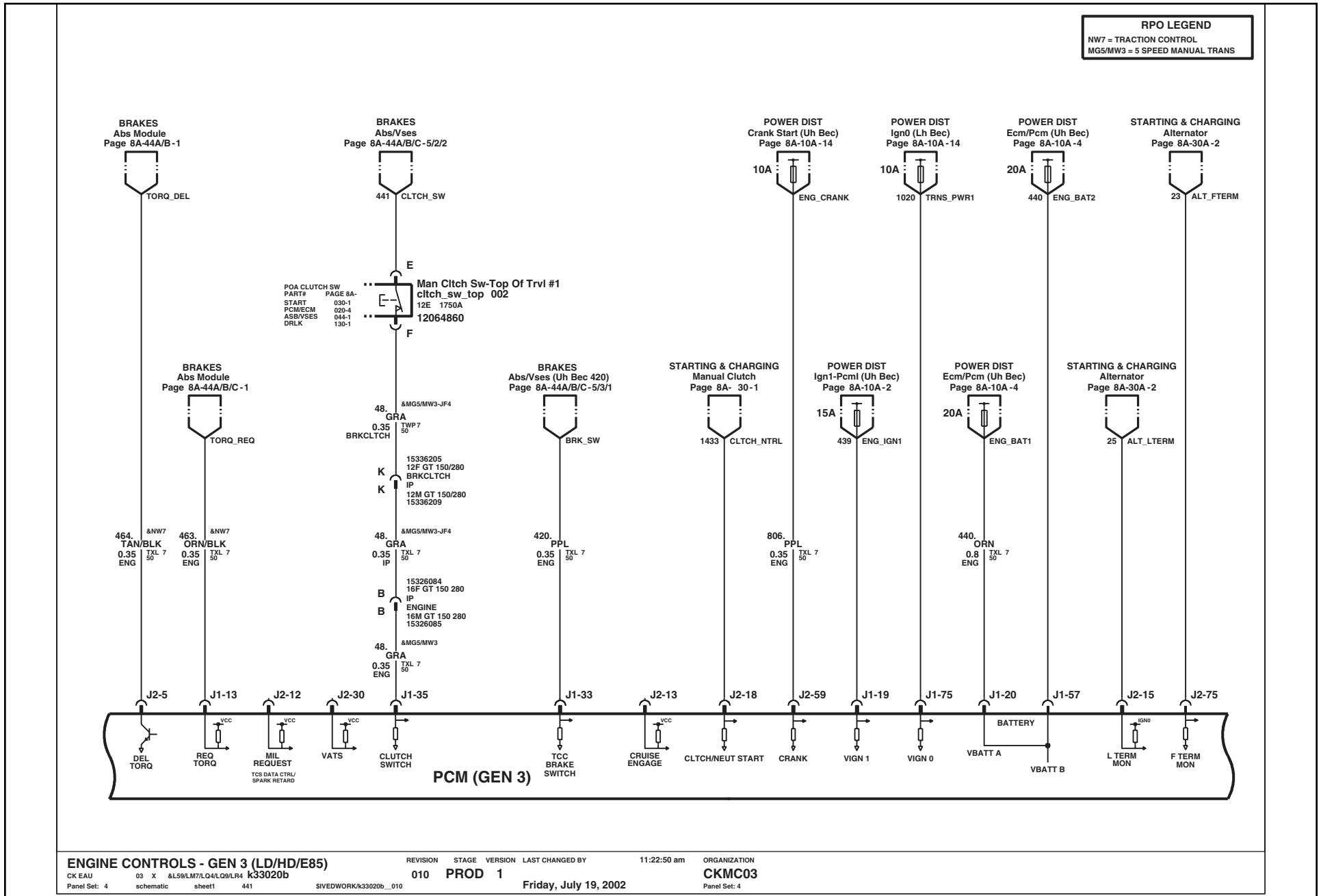
ENGINE CONTROLS - GEN 3 (LD/HD/E85)  
 CK EAU 03 X &L59/LM7/LR4/LQ4/LQ9 k33020b  
 Panel Set: 3 schematic sheet1 441

REVISION STAGE VERSION LAST CHANGED BY  
 010 PROD 1 Friday, July 19, 2002

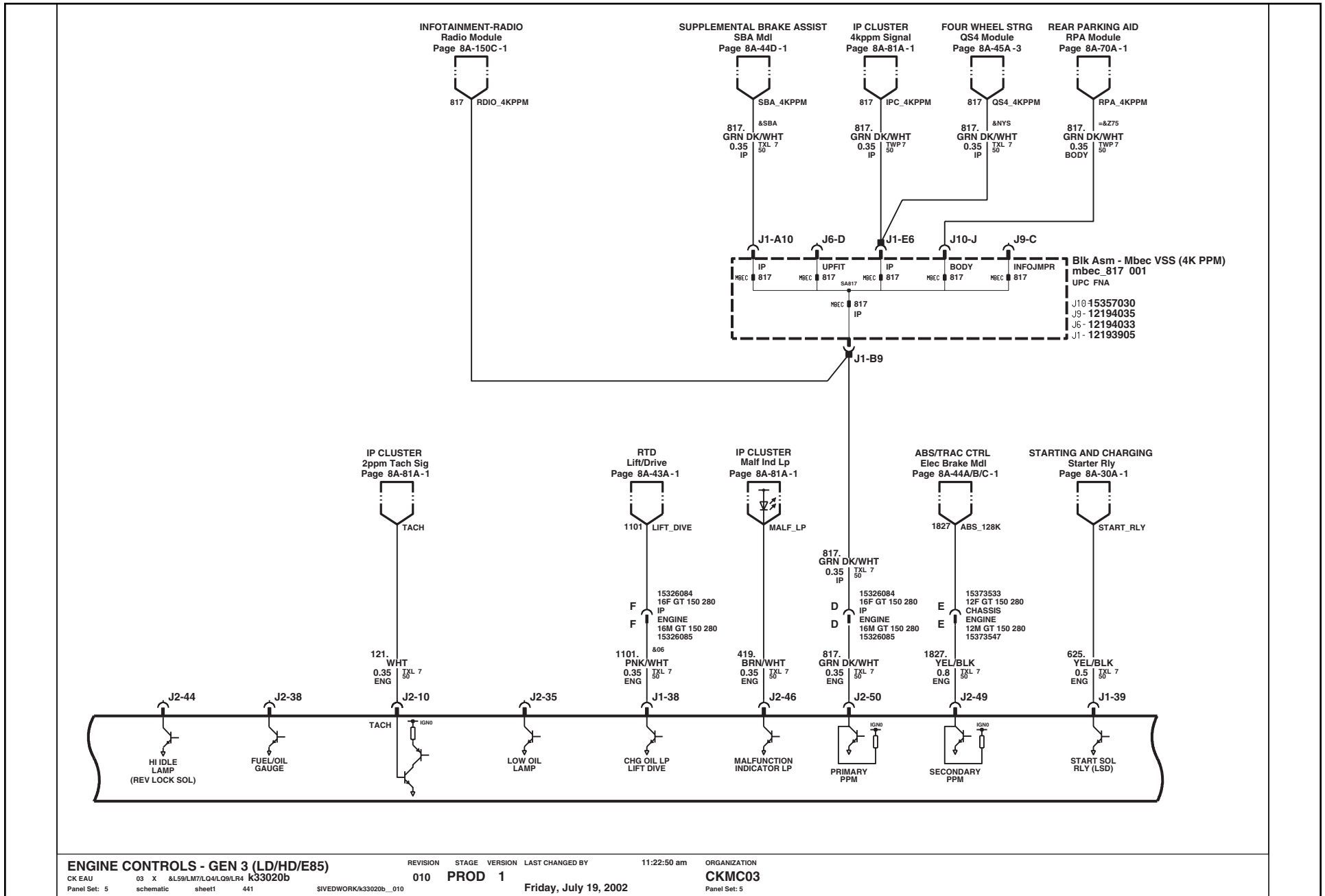
11:22:50 am ORGANIZATION  
 CKMC03  
 Panel Set: 3

# 2003 & BEYOND LIGHT DUTY C/K FULL-SIZE TRUCK ELECTRICAL

## Engine Controls: GEN 3 PCM



## Engine Controls: GEN 3 PCM

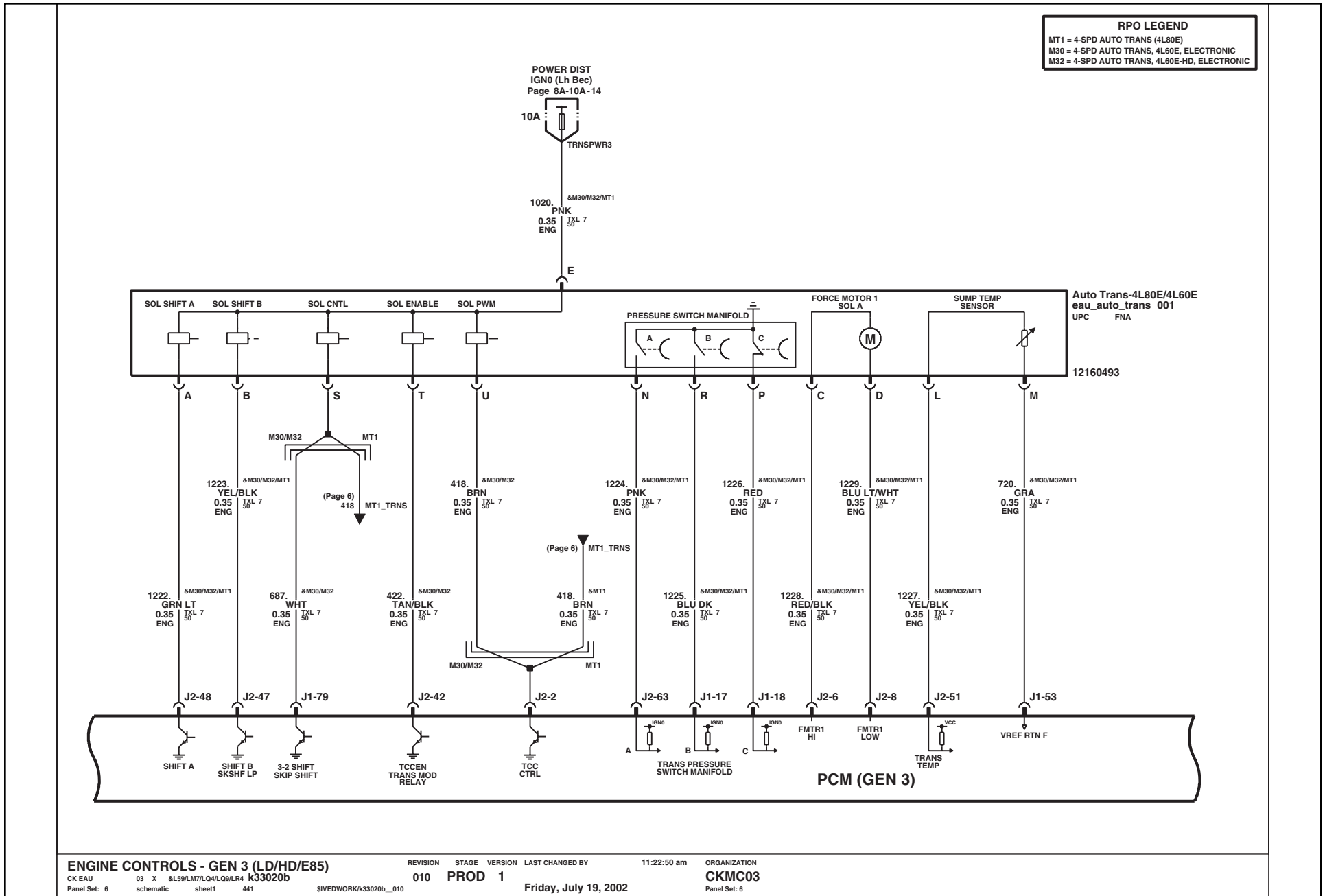


**ENGINE CONTROLS - GEN 3 (LD/HD/E85)**  
 CK EAU 03 X &LS9LM7/LQ4/LQ9/LR4 k33020b  
 Panel Set: 5 schematic sheet1 441

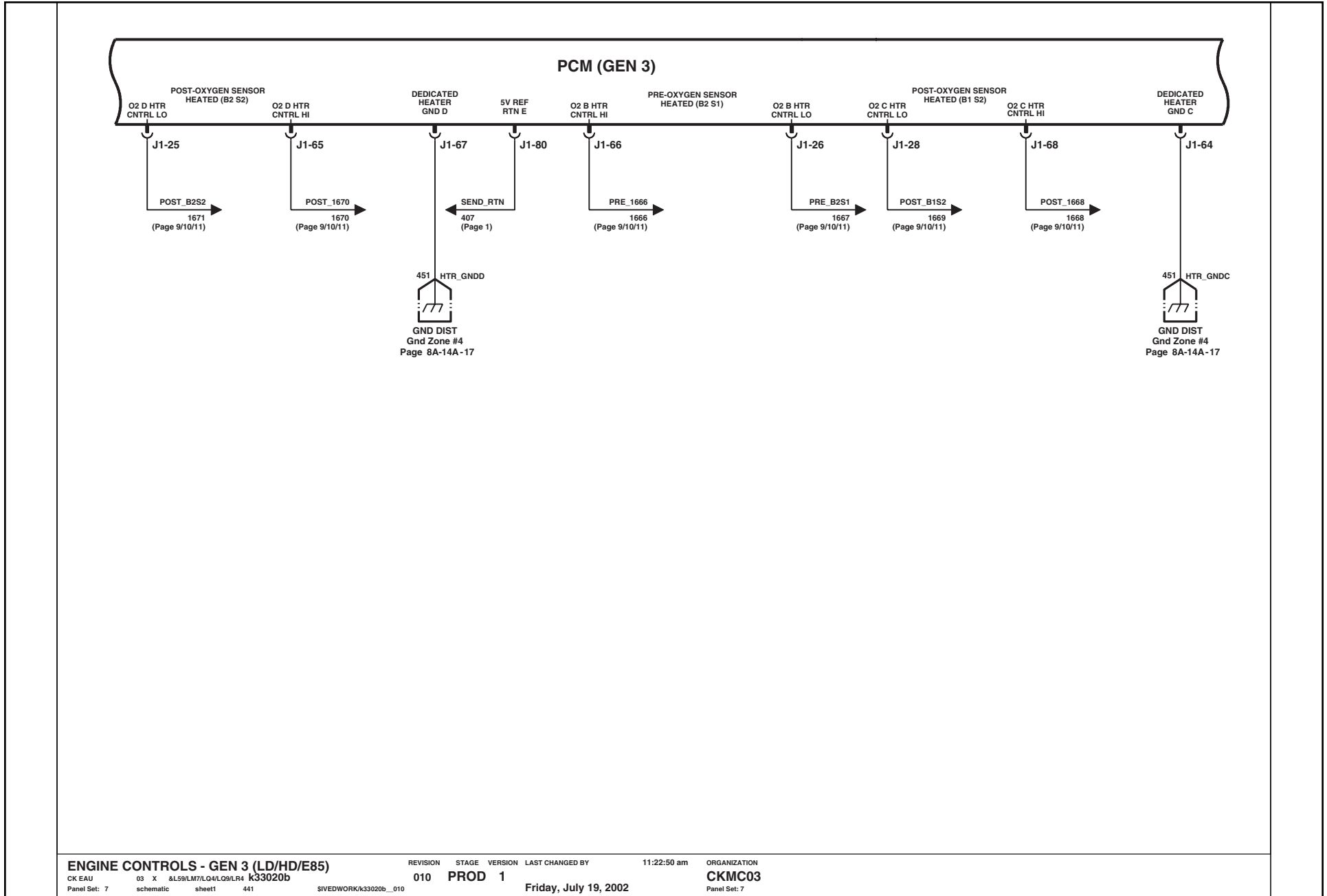
REVISION STAGE VERSION LAST CHANGED BY  
 010 PROD 1 Friday, July 19, 2002

11:22:50 am ORGANIZATION  
 CKMC03  
 Panel Set: 5

## Engine Controls: GEN 3 PCM



## Engine Controls: GEN 3 PCM



ENGINE CONTROLS - GEN 3 (LD/HD/E85)

CK EAU 03 X &L59/LM7/LQ4/LQ9/LR4 k33020b

Panel Set: 7 schematic sheet1 441

REVISION STAGE VERSION LAST CHANGED BY

010 PROD 1

11:22:50 am

ORGANIZATION

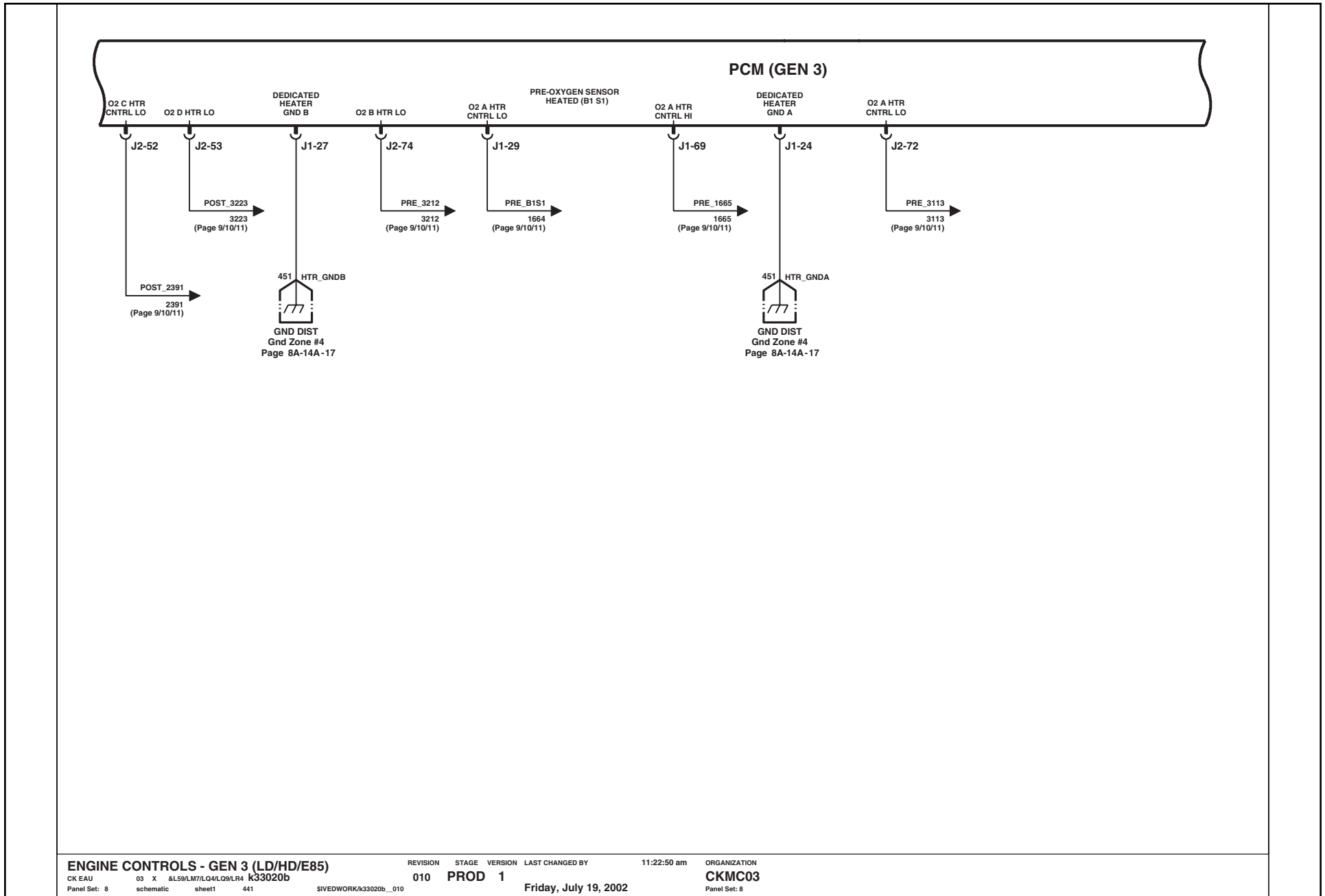
CKMC03

Panel Set: 7

Friday, July 19, 2002

SIVEDWORK/k33020b\_010

## Engine Controls: GEN 3 PCM



ENGINE CONTROLS - GEN 3 (LD/HD/E85)

CK EAU 03 X &LS9/LM7/LQ4/LQ9/LR4 k33020b

Panel Set: 8 schematic sheet1 441

REVISION STAGE VERSION LAST CHANGED BY

010 PROD 1

11:22:50 am

ORGANIZATION

CKMC03

Panel Set: 8

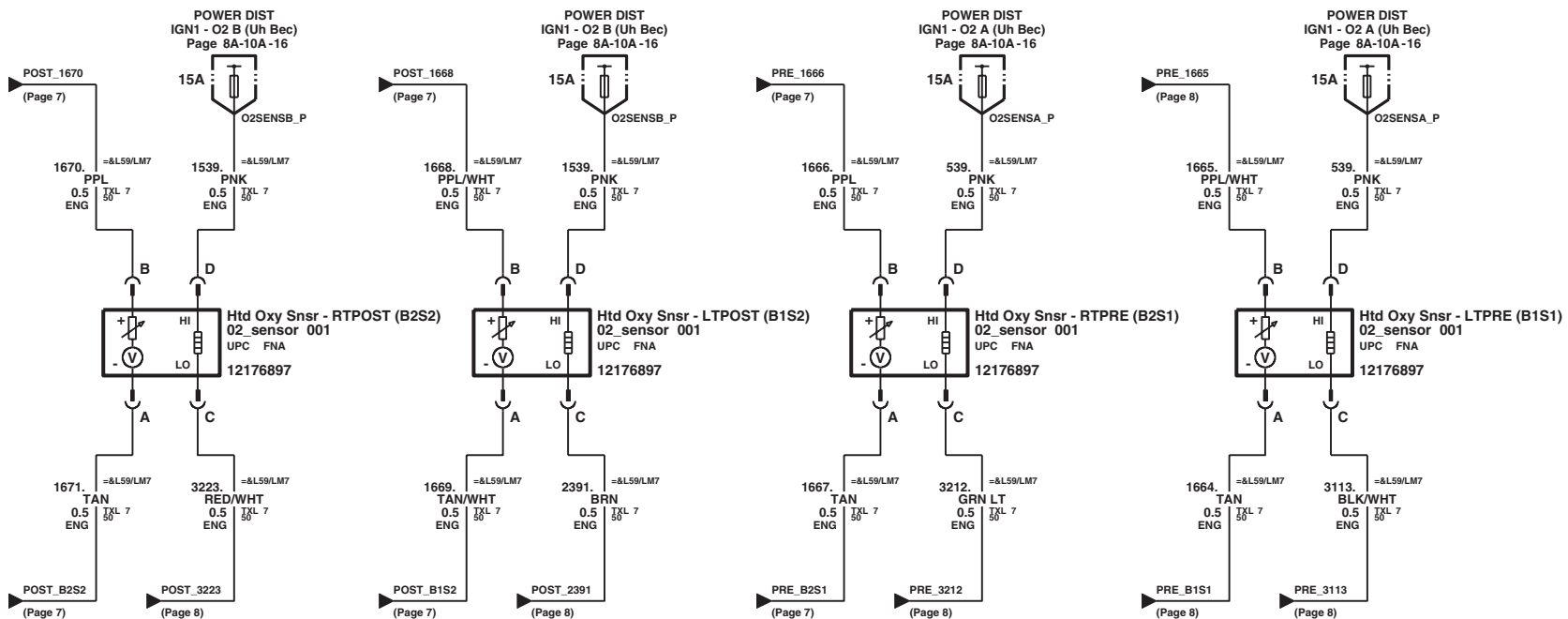
SIVEDWORK/k33020b\_010

Friday, July 19, 2002



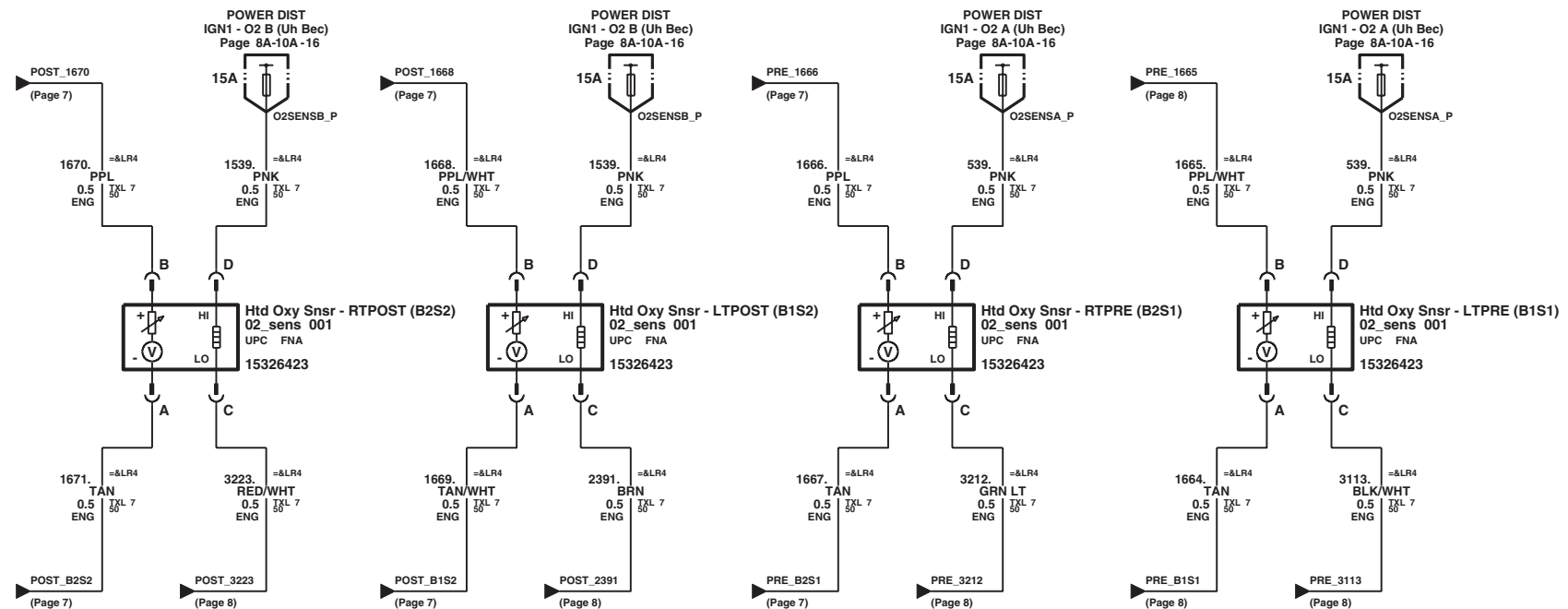
## Engine Controls: GEN 3 PCM

### OXY SENSORS FOR GEN3, L59/LM7



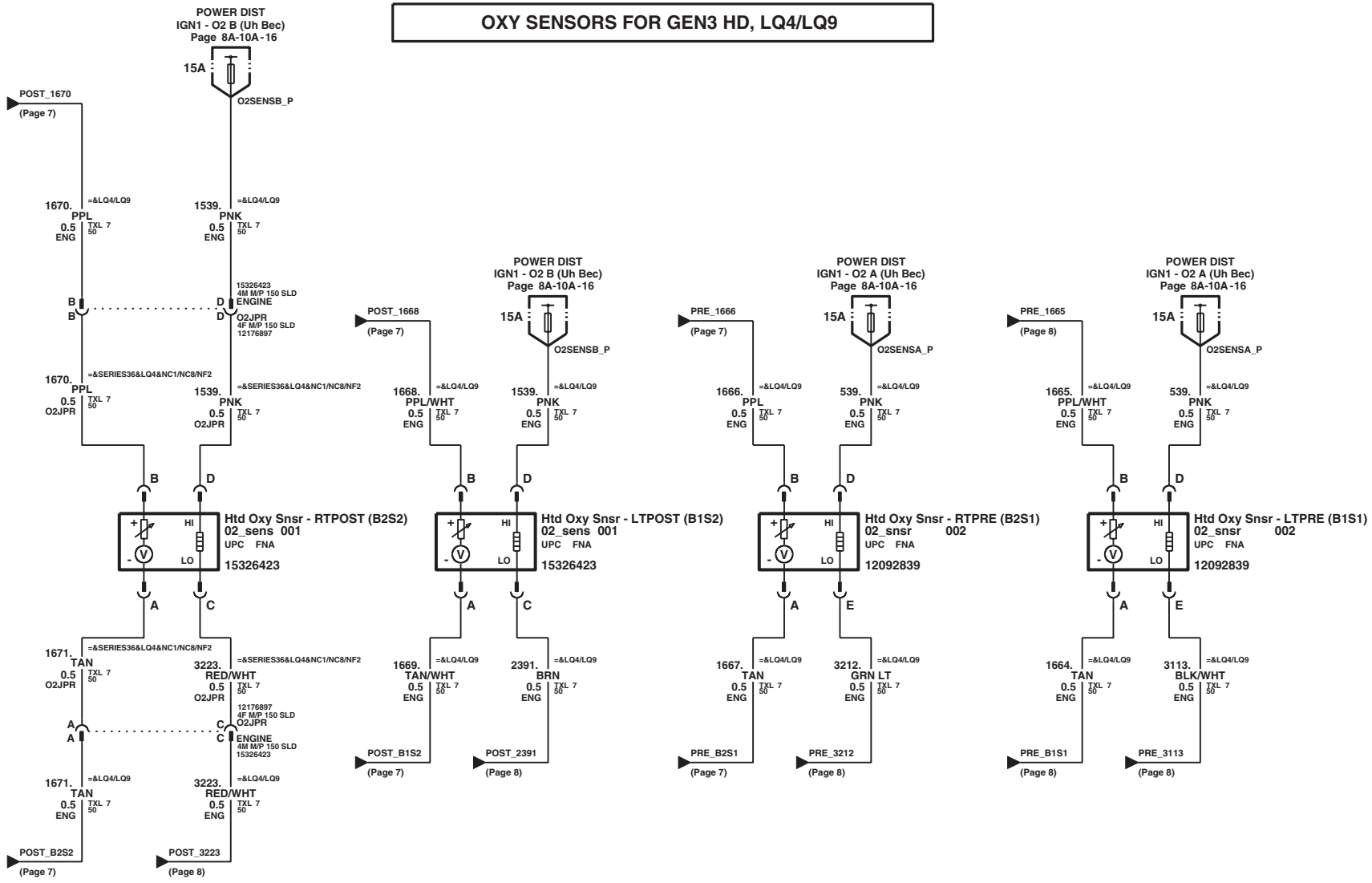
## Engine Controls: GEN 3 PCM

### OXY SENSORS FOR GEN3 LD, LR4

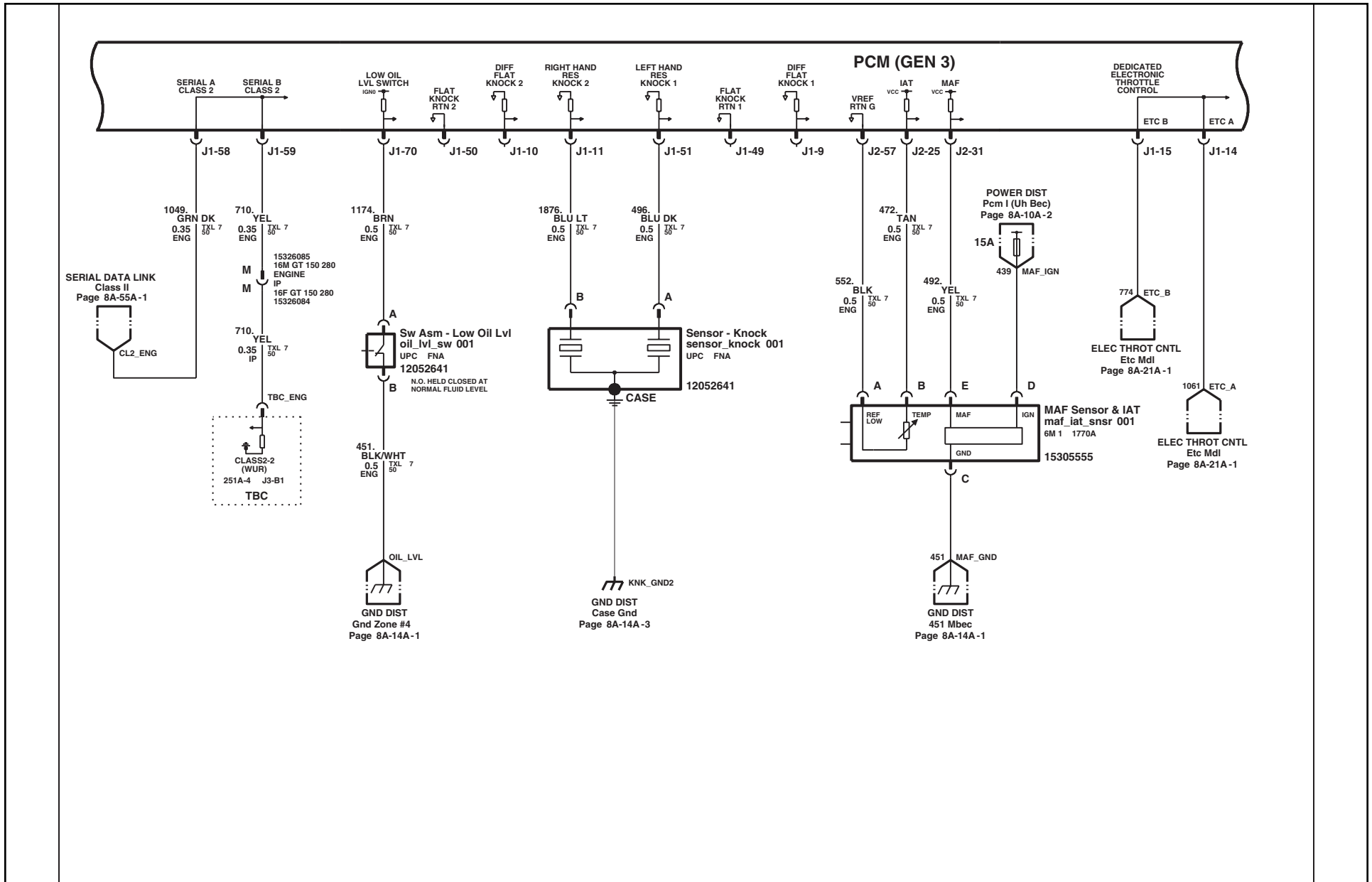


## Engine Controls: GEN 3 PCM

### OXY SENSORS FOR GEN3 HD, LQ4/LQ9



## Engine Controls: GEN 3 PCM



ENGINE CONTROLS - GEN 3 (LD/HD/E85)

CK EAU 03 X &LS9LM7/LQ4/LQ9/LR4 k33020b

Panel Set: 12 schematic sheet1 441

REVISION STAGE VERSION LAST CHANGED BY

010 PROD 1

11:22:50 am

ORGANIZATION

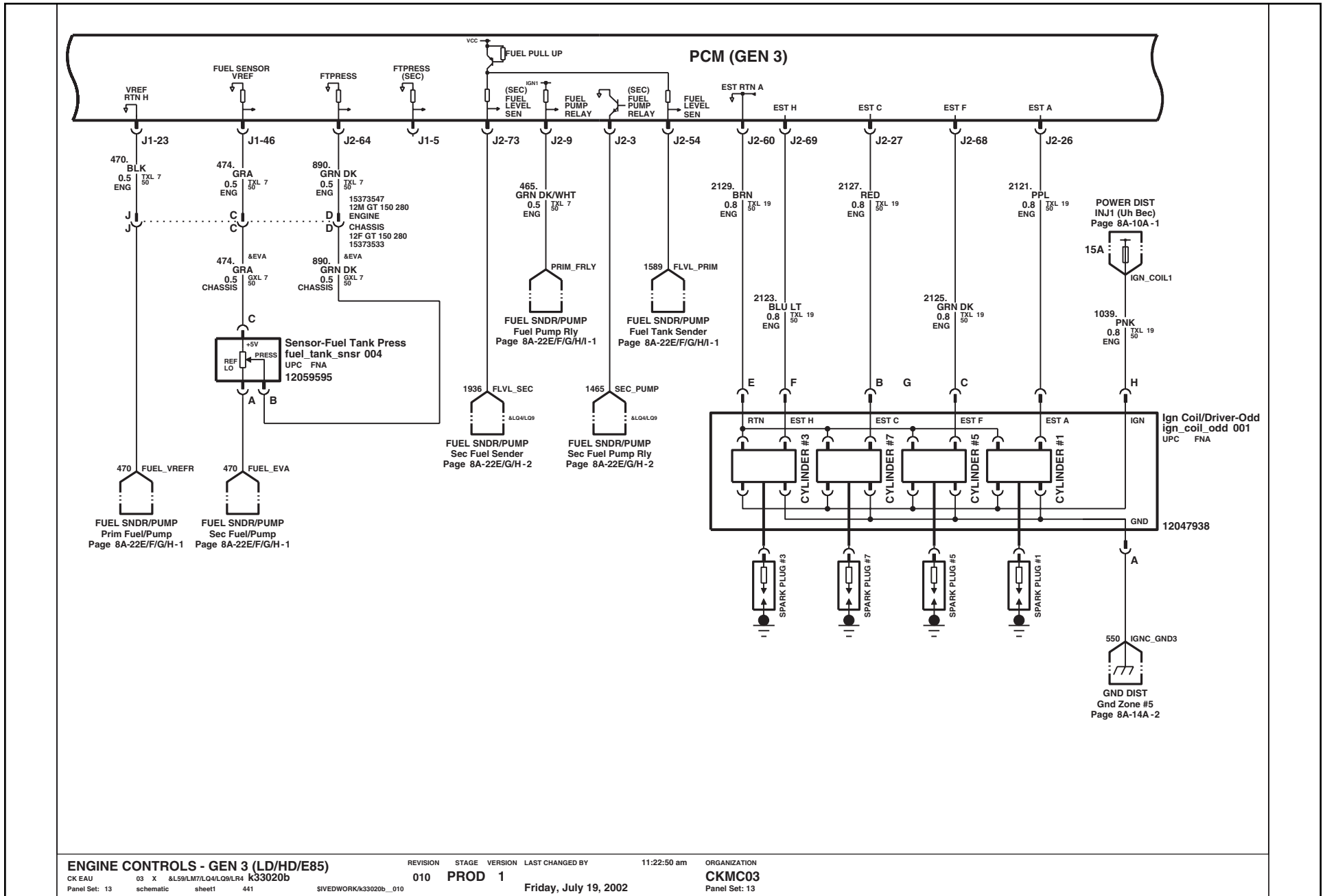
CKMC03

Panel Set: 12

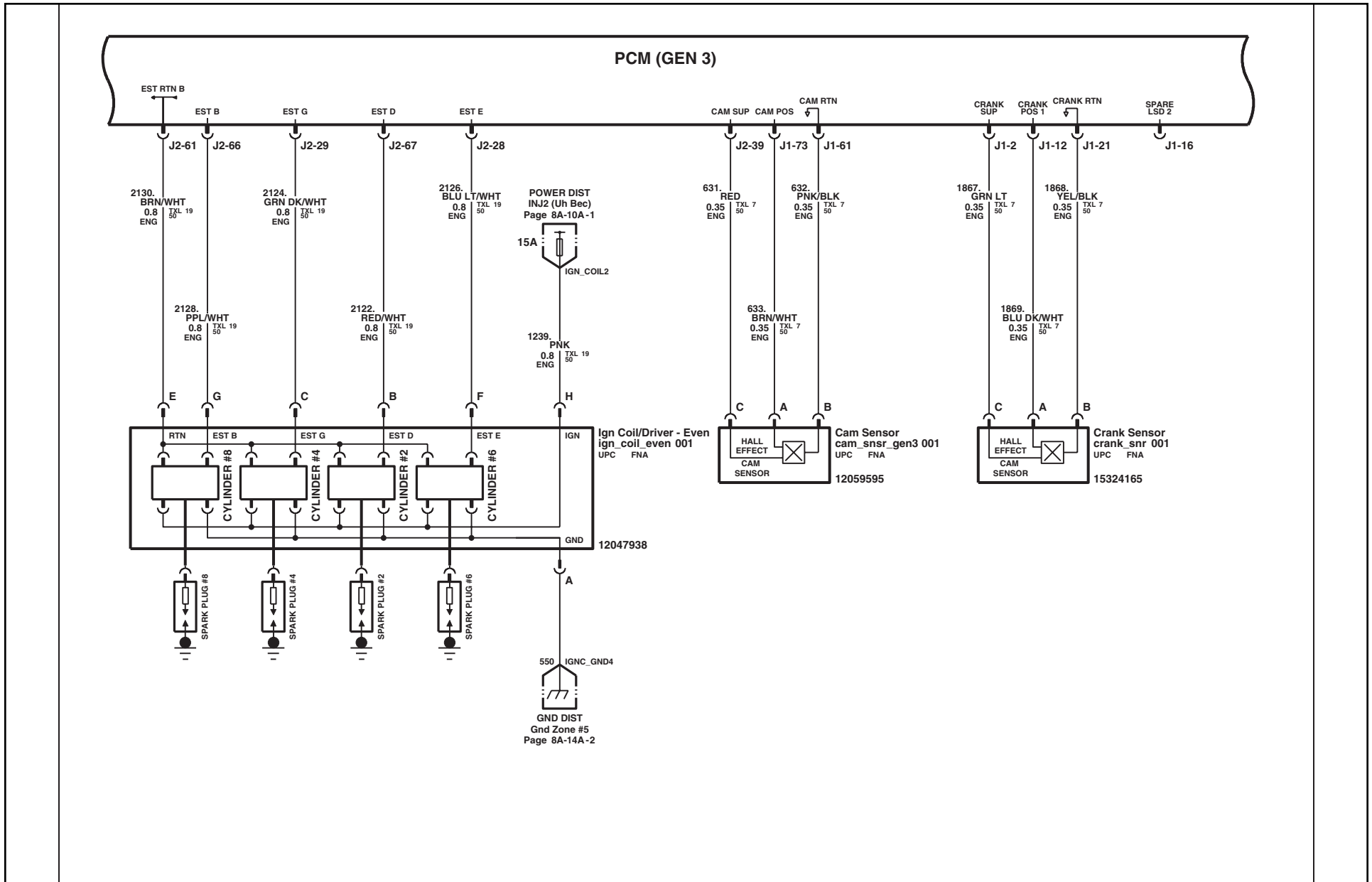
SIVEDWORK/k33020b\_010

Friday, July 19, 2002

## Engine Controls: GEN 3 PCM



## Engine Controls: GEN 3 PCM



ENGINE CONTROLS - GEN 3 (LD/HD/E85)

CK EAU 03 X &LS9LM7LQ4LQ9LR4 k33020b

Panel Set: 14 schematic sheet1 441

SIVEDWORK/k33020b\_010

REVISION STAGE VERSION LAST CHANGED BY

010 PROD 1

11:22:50 am

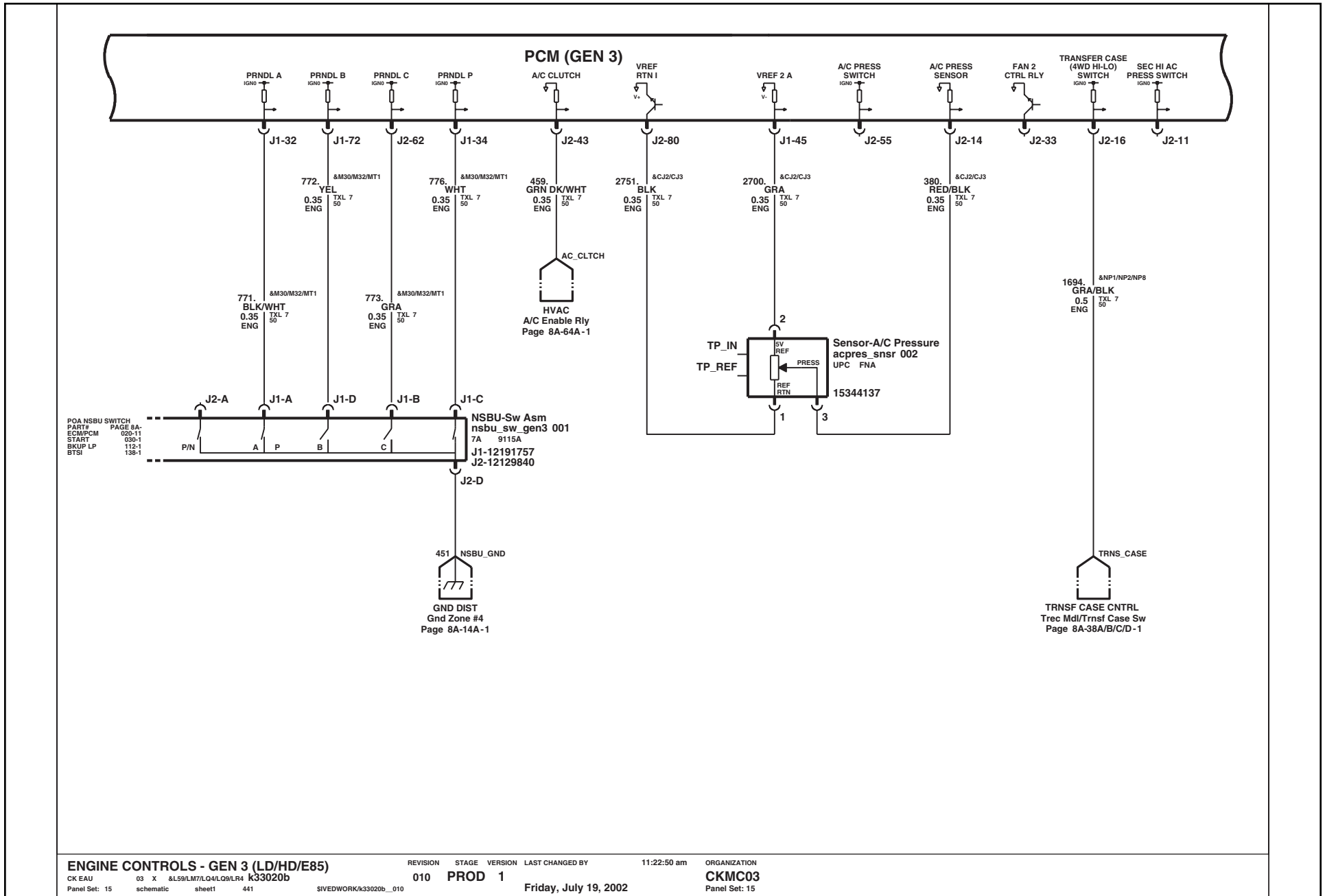
ORGANIZATION

CKMC03

Panel Set: 14

Friday, July 19, 2002

## Engine Controls: GEN 3 PCM



ENGINE CONTROLS - GEN 3 (LD/HD/E85)

CK EAU 03 X &LS9/LM7/LQ4/LQ9/LR4 k33020b

Panel Set: 15 schematic sheet1 441

REVISION STAGE VERSION LAST CHANGED BY

010 PROD 1

11:22:50 am

ORGANIZATION

CKMC03

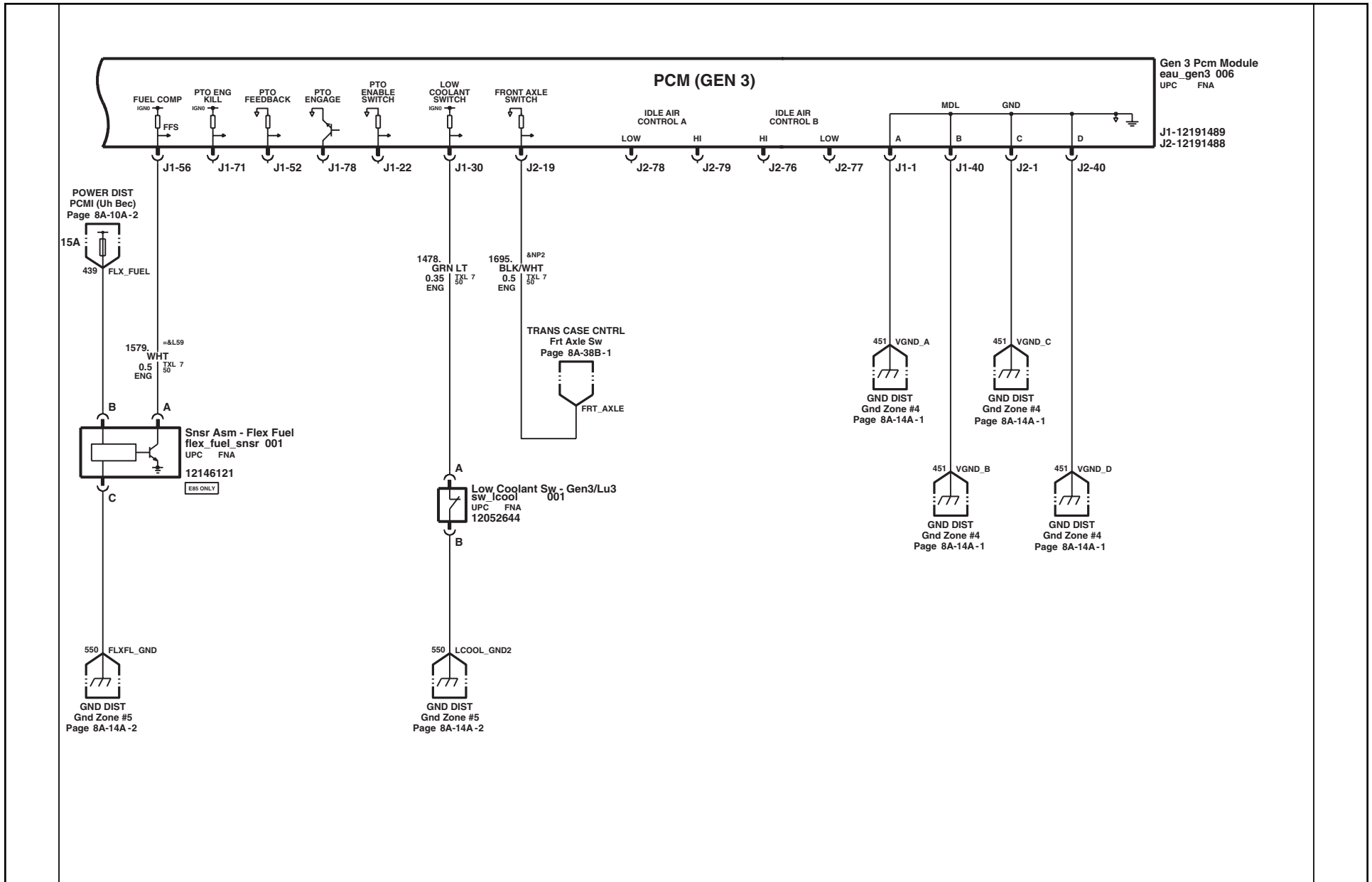
Panel Set: 15

SIVEDWORK/k33020b\_010

Friday, July 19, 2002

# 2003 & BEYOND LIGHT DUTY C/K FULL-SIZE TRUCK ELECTRICAL

## Engine Controls: GEN 3 PCM



**ENGINE CONTROLS - GEN 3 (LD/HD/E85)**

CK EAU 03 X &L59/LM7/LQ4/LQ9/LR4 k33020b  
Panel Set: 16 schematic sheet1 441

REVISION 010 STAGE PROD 1 VERSION 1 LAST CHANGED BY Friday, July 19, 2002

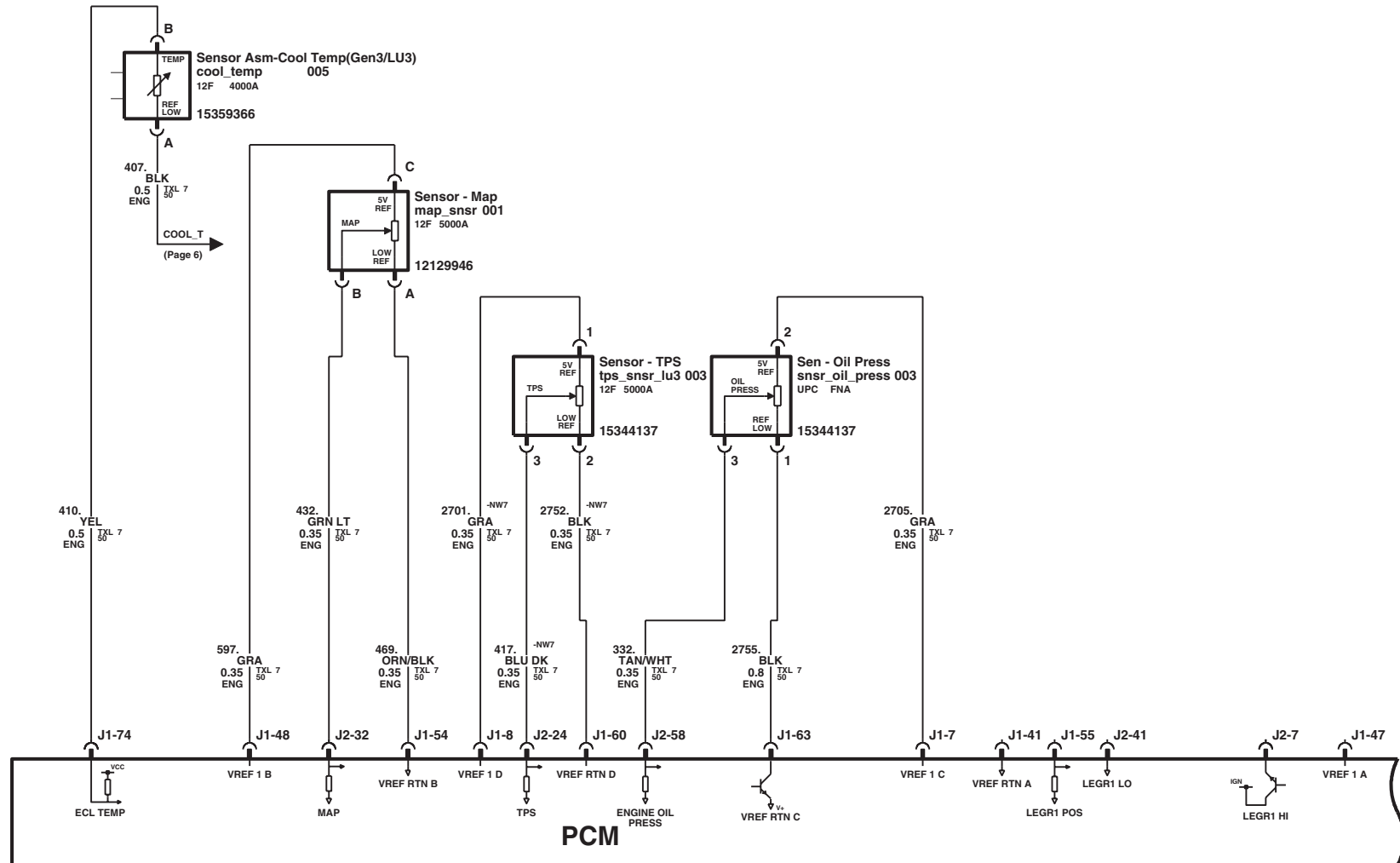
11:22:50 am

ORGANIZATION CKMC03  
Panel Set: 16

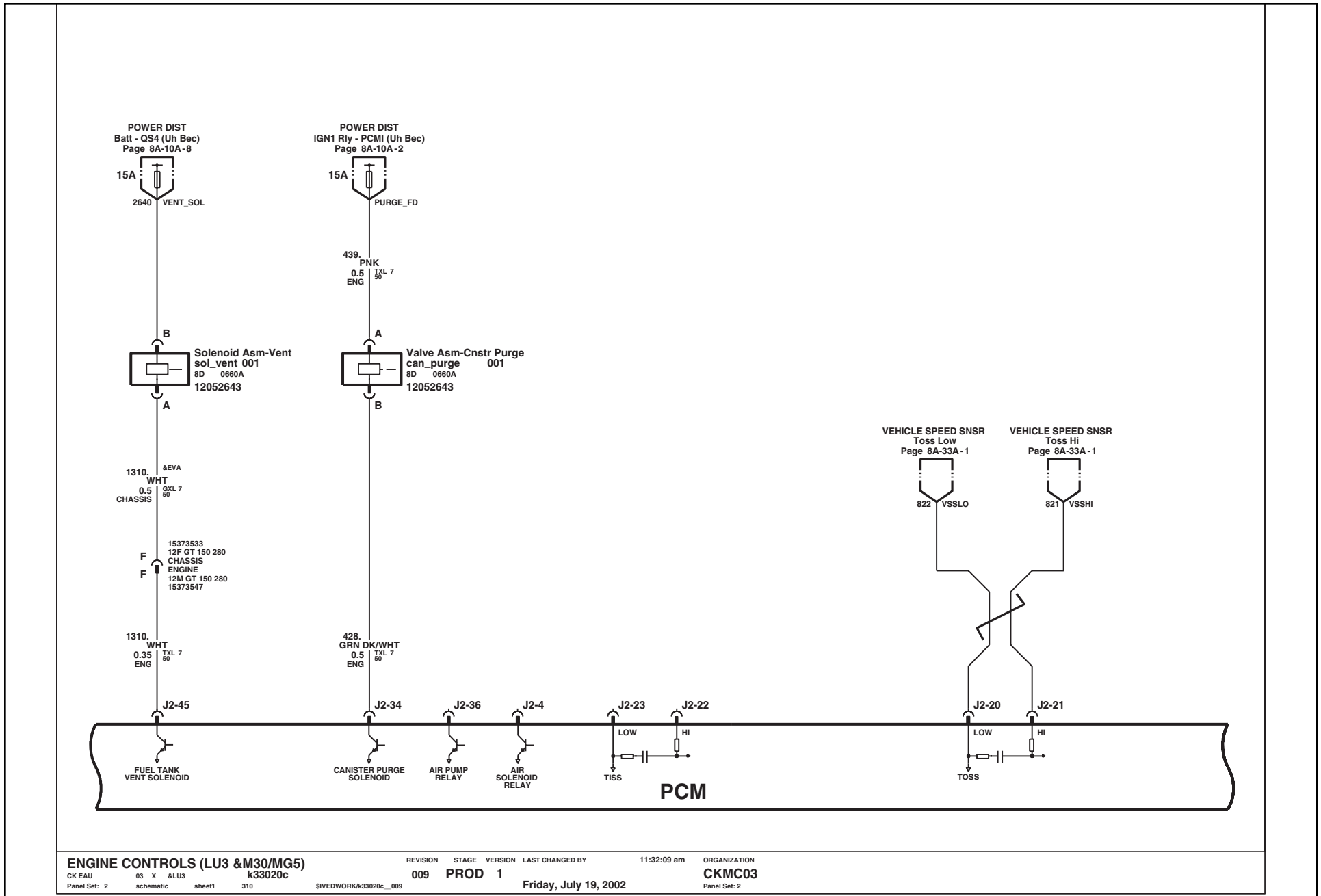
SIVEDWORK/k33020b\_010



## Engine Controls: LU3 - 4.3L V6



## Engine Controls: LU3 - 4.3L V6



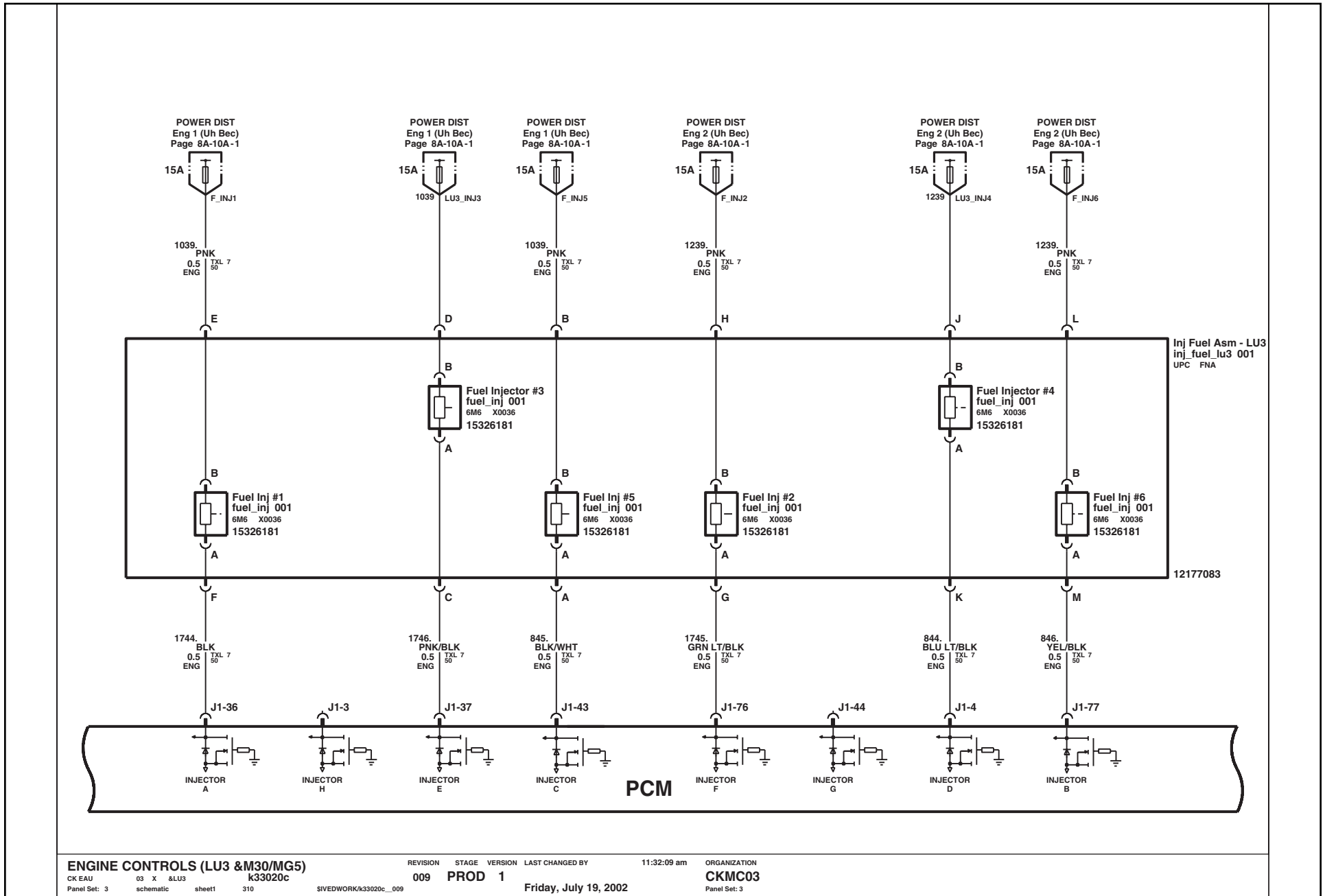
**ENGINE CONTROLS (LU3 & M30/MG5)**

CK EAU 03 X & LU3 k33020c  
 Panel Set: 2 schematic sheet1 310

REVISION STAGE VERSION LAST CHANGED BY  
 009 PROD 1 Friday, July 19, 2002

11:32:09 am ORGANIZATION  
 CKMC03  
 Panel Set: 2

## Engine Controls: LU3 - 4.3L V6



ENGINE CONTROLS (LU3 & M30/MG5)

CK EAU 03 X & LU3 k33020c  
Panel Set: 3 schematic sheet1 310

REVISION STAGE VERSION LAST CHANGED BY  
009 PROD 1

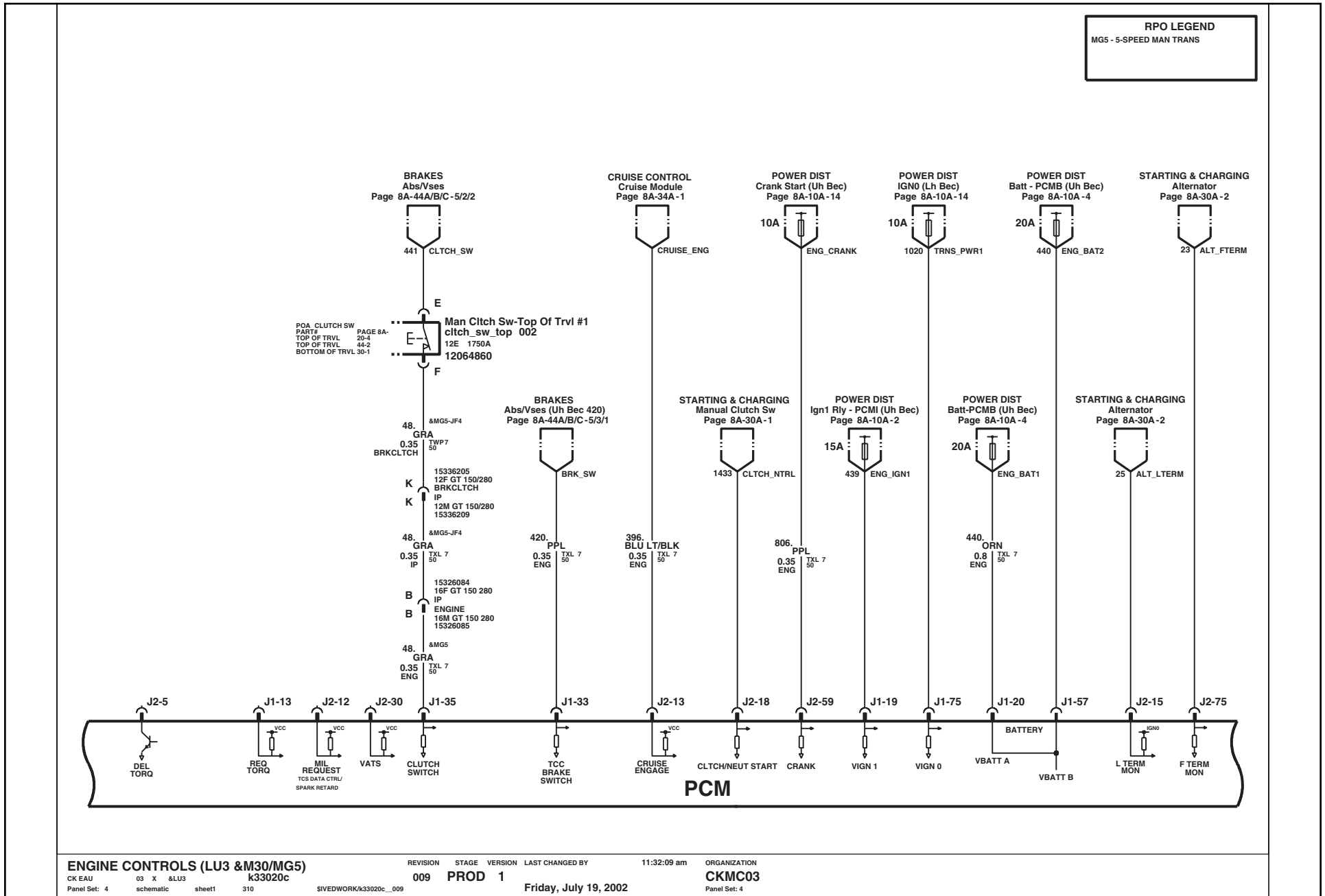
11:32:09 am

ORGANIZATION  
CKMC03  
Panel Set: 3

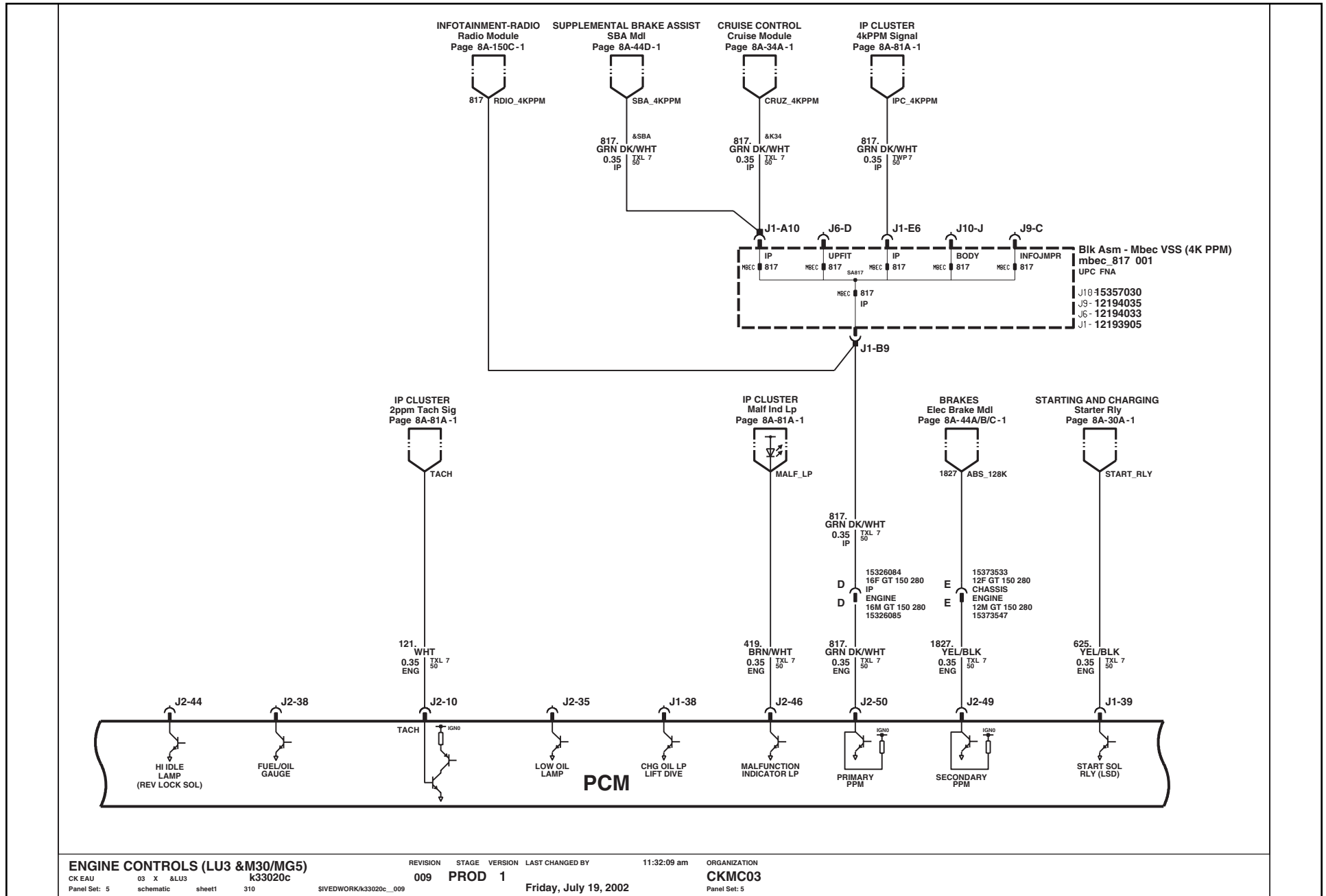
SIVEDWORK/k33020c\_009

Friday, July 19, 2002

## Engine Controls: LU3 - 4.3L V6

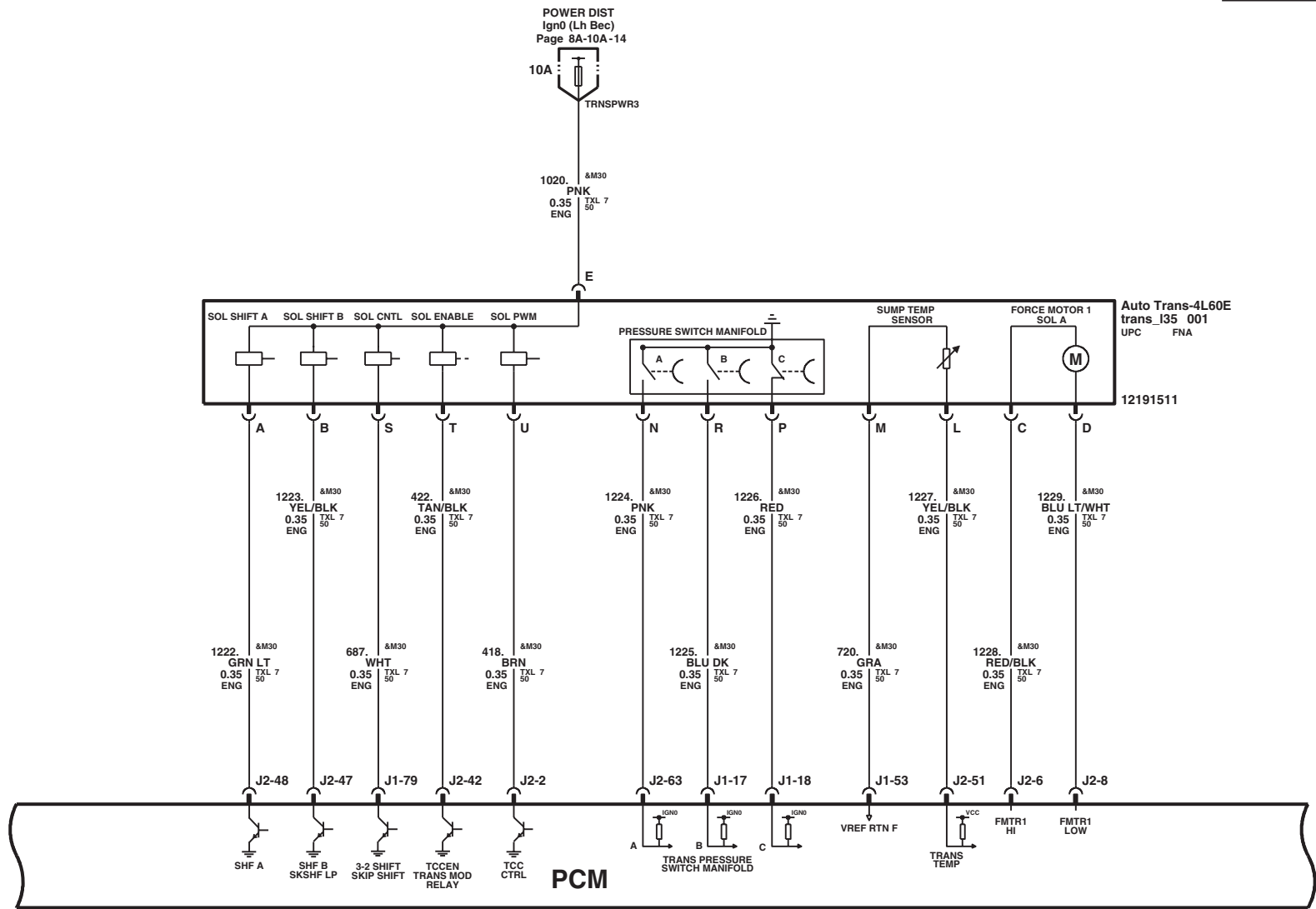


## Engine Controls: LU3 - 4.3L V6



## Engine Controls: LU3 - 4.3L V6

**RPO LEGEND**  
M30 - 4L60E AUTO TRANS



**ENGINE CONTROLS (LU3 & M30/MG5)**

CK EAU 03 X &LU3 k33020c  
Panel Set: 6 schematic sheet1 310

REVISION 009 STAGE PROD 1 VERSION 1 LAST CHANGED BY

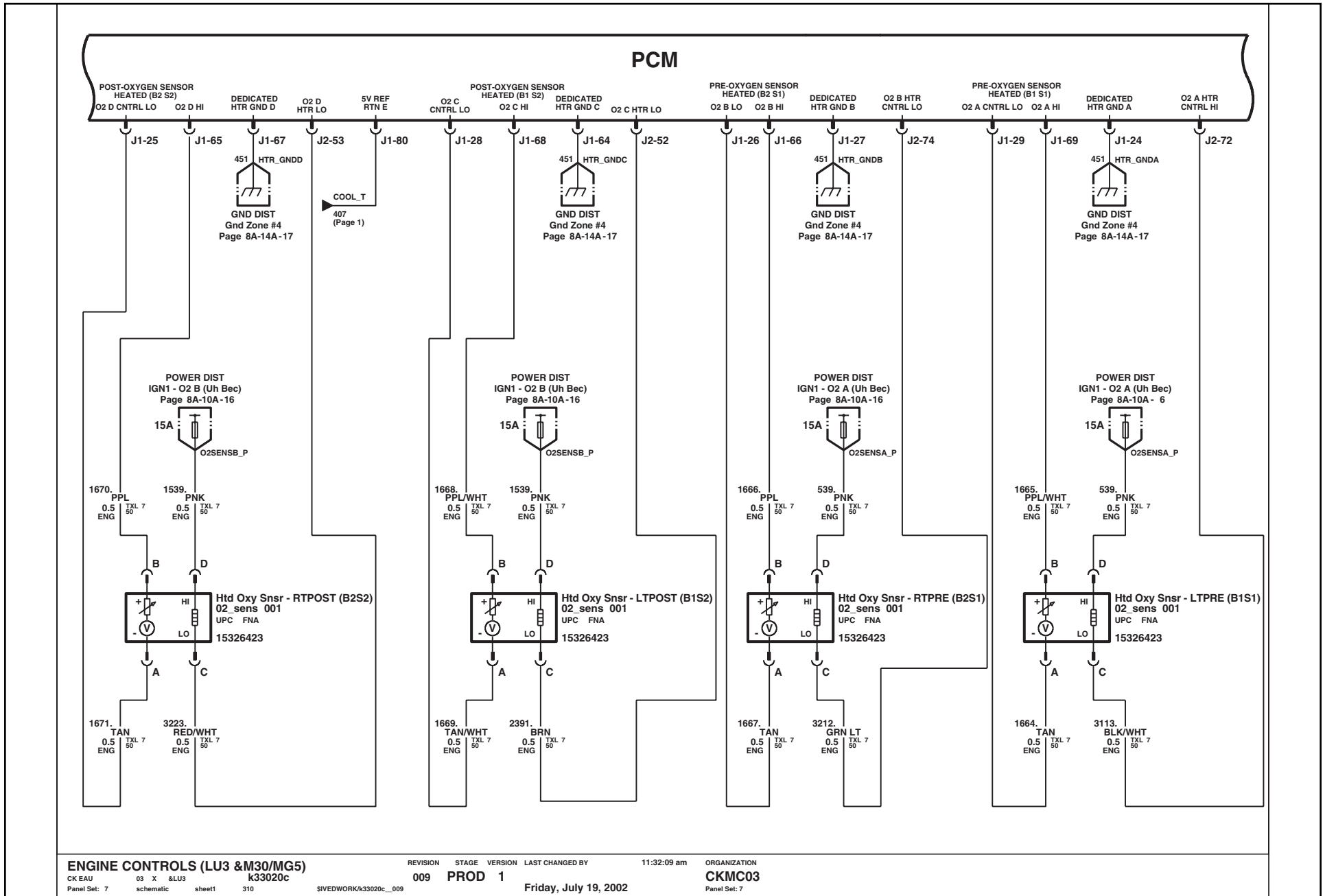
11:32:09 am

ORGANIZATION CKMC03  
Panel Set: 6

SIVEDWORK/k33020c\_009

Friday, July 19, 2002

## Engine Controls: LU3 - 4.3L V6



ENGINE CONTROLS (LU3 & M30/MG5)

CK EAU 03 X & LU3 k33020c  
Panel Set: 7 schematic sheet1 310

REVISION STAGE VERSION LAST CHANGED BY

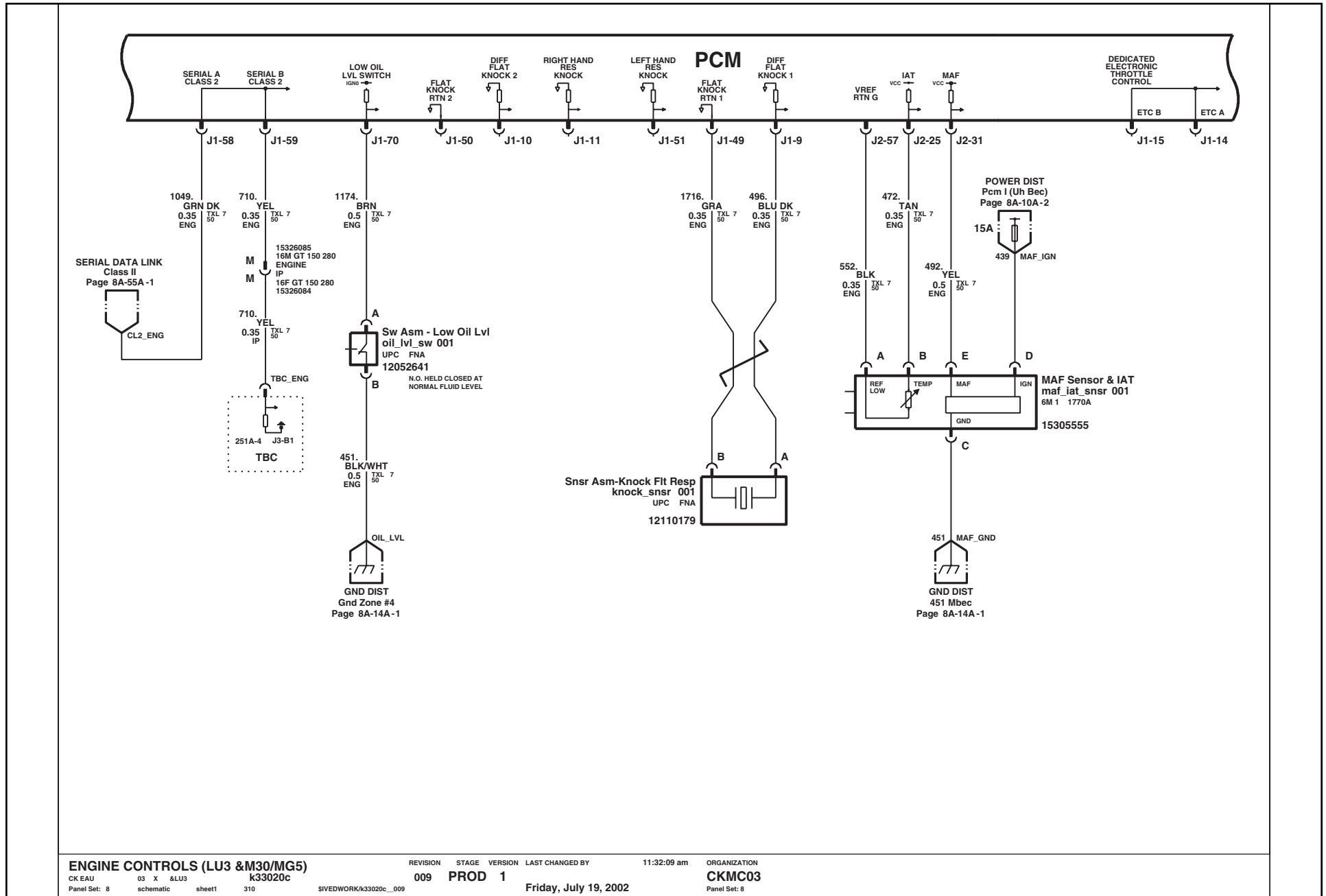
009 PROD 1 Friday, July 19, 2002

11:32:09 am

ORGANIZATION

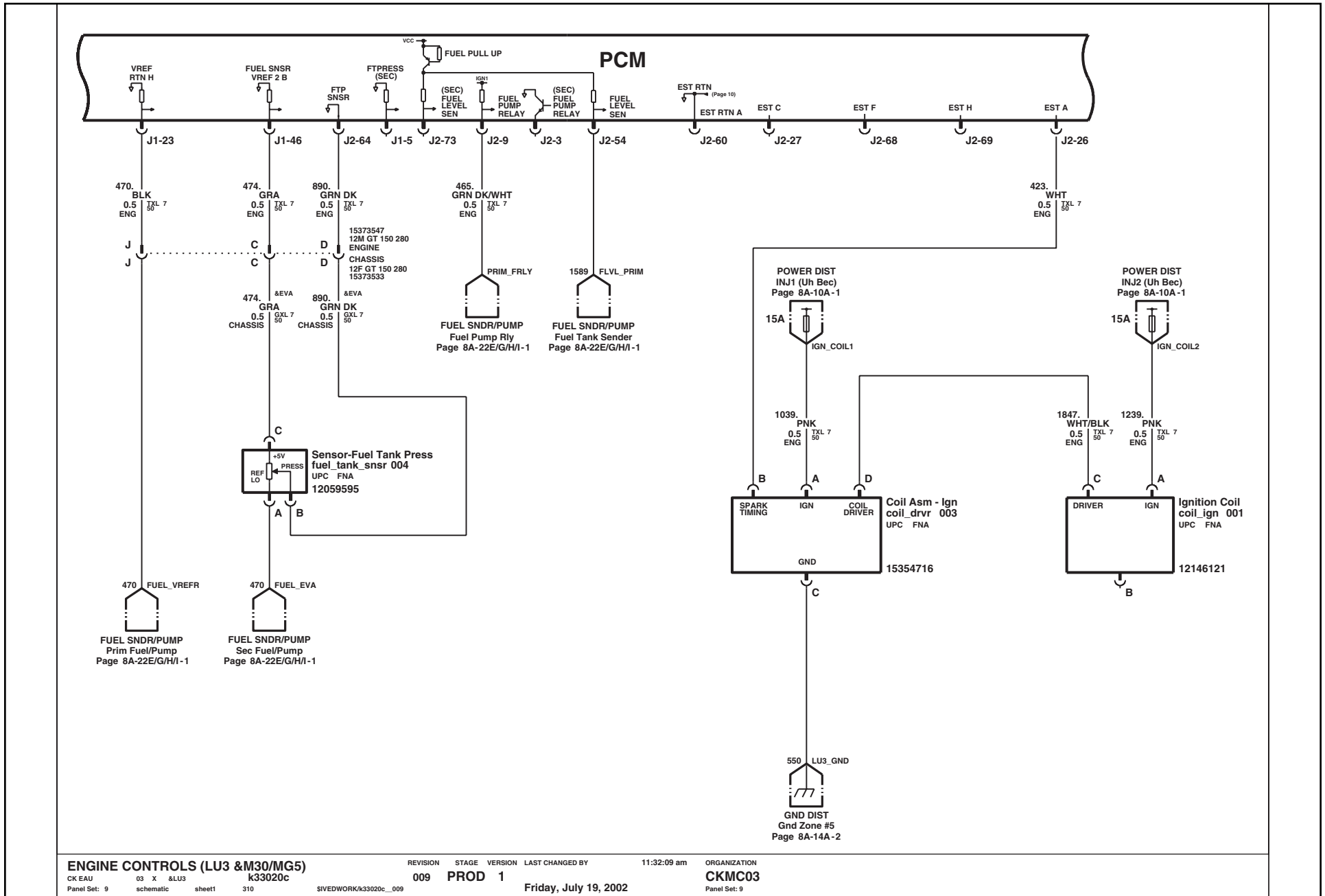
CKMC03  
Panel Set: 7

## Engine Controls: LU3 - 4.3L V6





## Engine Controls: LU3 - 4.3L V6



ENGINE CONTROLS (LU3 & M30/MG5)

CK EAU 03 X & LU3 k33020c  
Panel Set: 9 schematic sheet1 310

REVISION STAGE VERSION LAST CHANGED BY

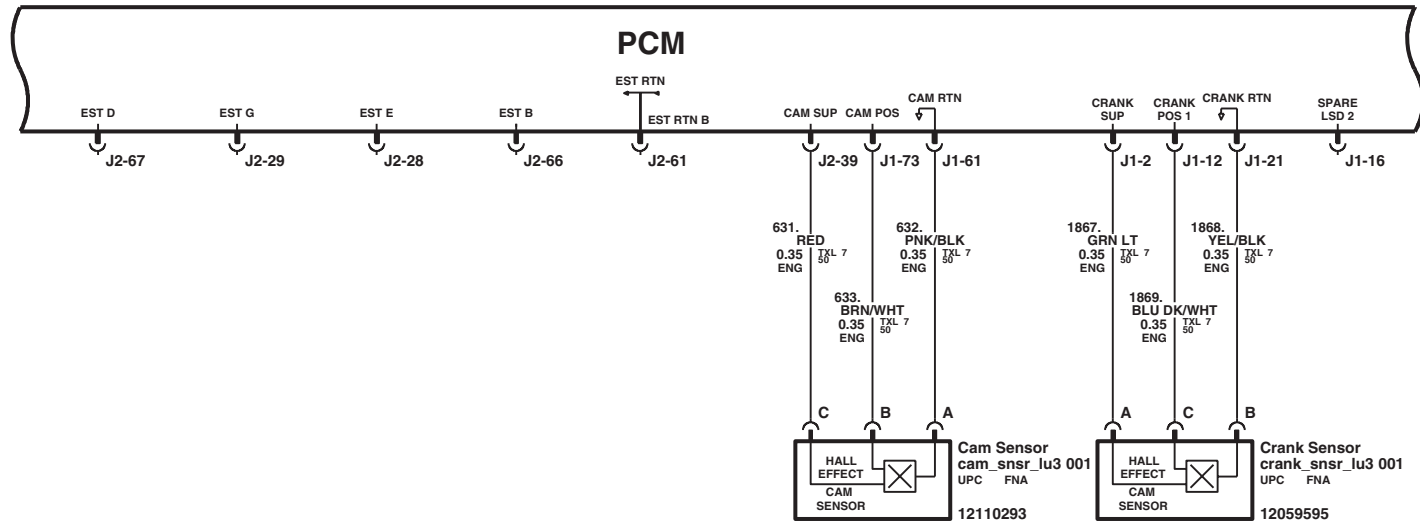
009 PROD 1 Friday, July 19, 2002

11:32:09 am

ORGANIZATION

CKMC03  
Panel Set: 9

## Engine Controls: LU3 – 4.3L V6



**ENGINE CONTROLS (LU3 & M30/MG5)**

CK EAU 03 X & LU3 k33020c  
Panel Set: 10 schematic sheet1 310

REVISION STAGE VERSION LAST CHANGED BY  
009 PROD 1

11:32:09 am

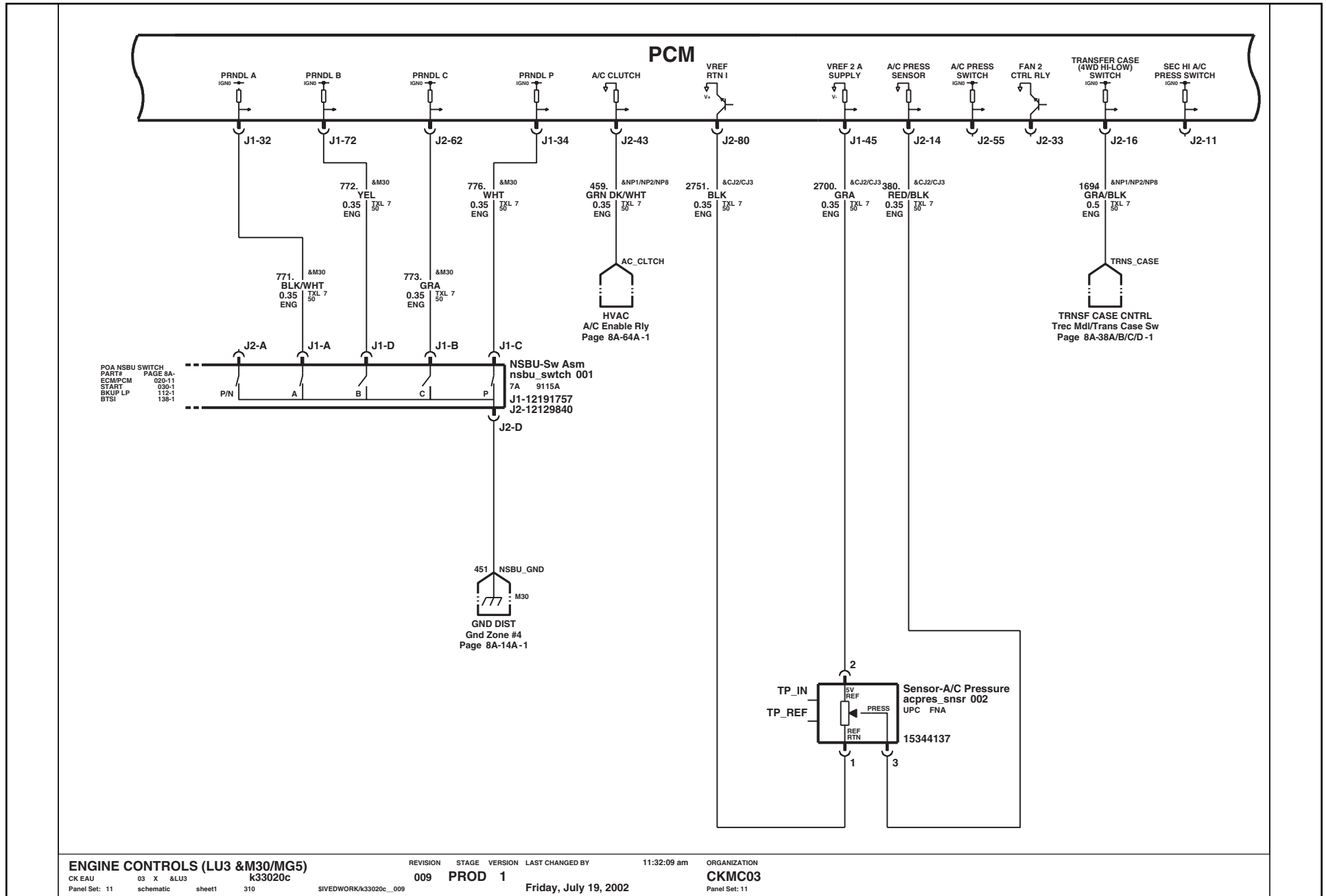
ORGANIZATION  
CKMC03

Friday, July 19, 2002

Panel Set: 10

# 2003 & BEYOND LIGHT DUTY C/K FULL-SIZE TRUCK ELECTRICAL

## Engine Controls: LU3 - 4.3L V6



**ENGINE CONTROLS (LU3 &M30/MG5)**

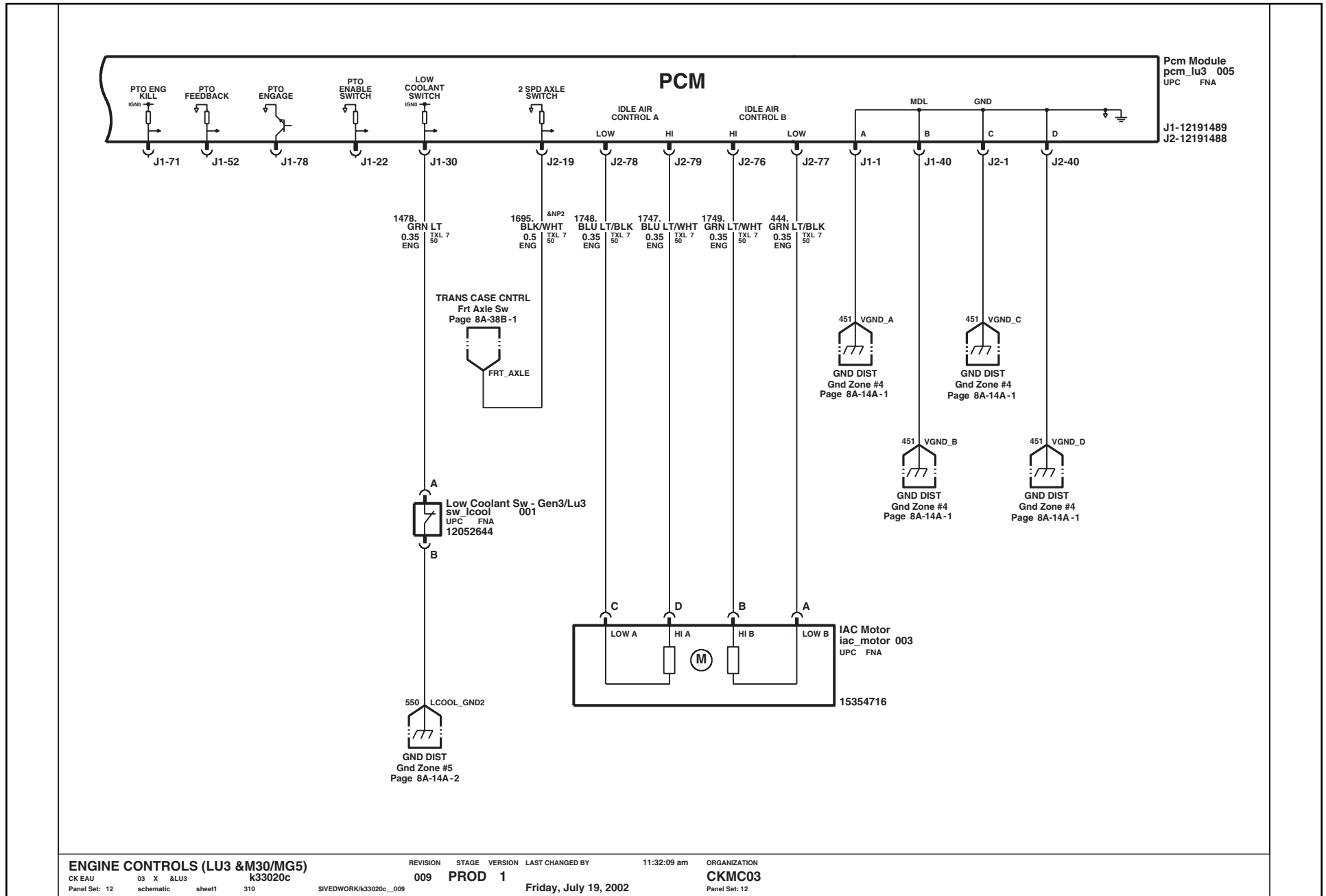
CK EAU 03 X &LU3 k33020c  
Panel Set: 11 schematic sheet1 310

REVISION 009 STAGE PROD 1 VERSION 1 LAST CHANGED BY Friday, July 19, 2002

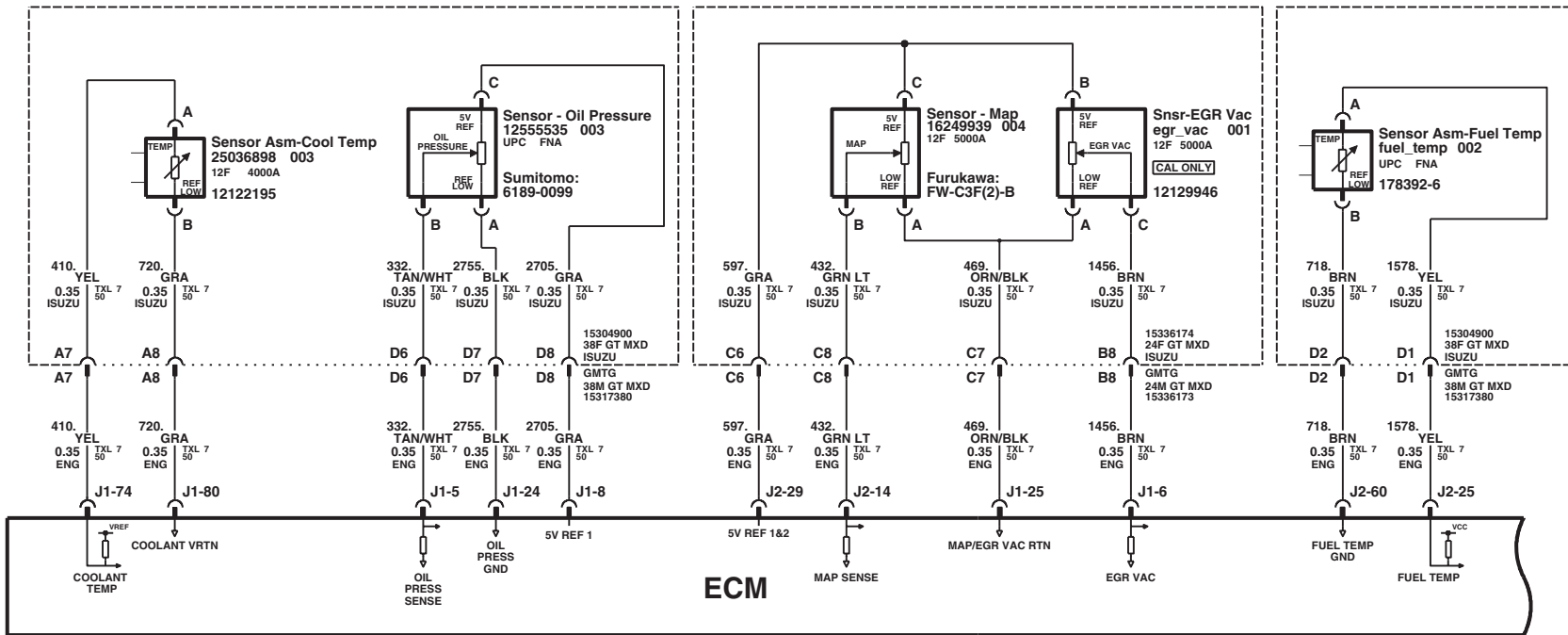
11:32:09 am

ORGANIZATION CKMC03  
Panel Set: 11

## Engine Controls: LU3 - 4.3L V6



## Engine Controls: LB7 – 6.6L Diesel



**ENGINE CONTROLS (LB7)**

OBJECT ID  
k33020d

REVISION STAGE VERSION LAST CHANGED BY  
009 PROD 1

11:59:45 am

ORGANIZATION  
CKMC03

CK EAU 03 X &LB7

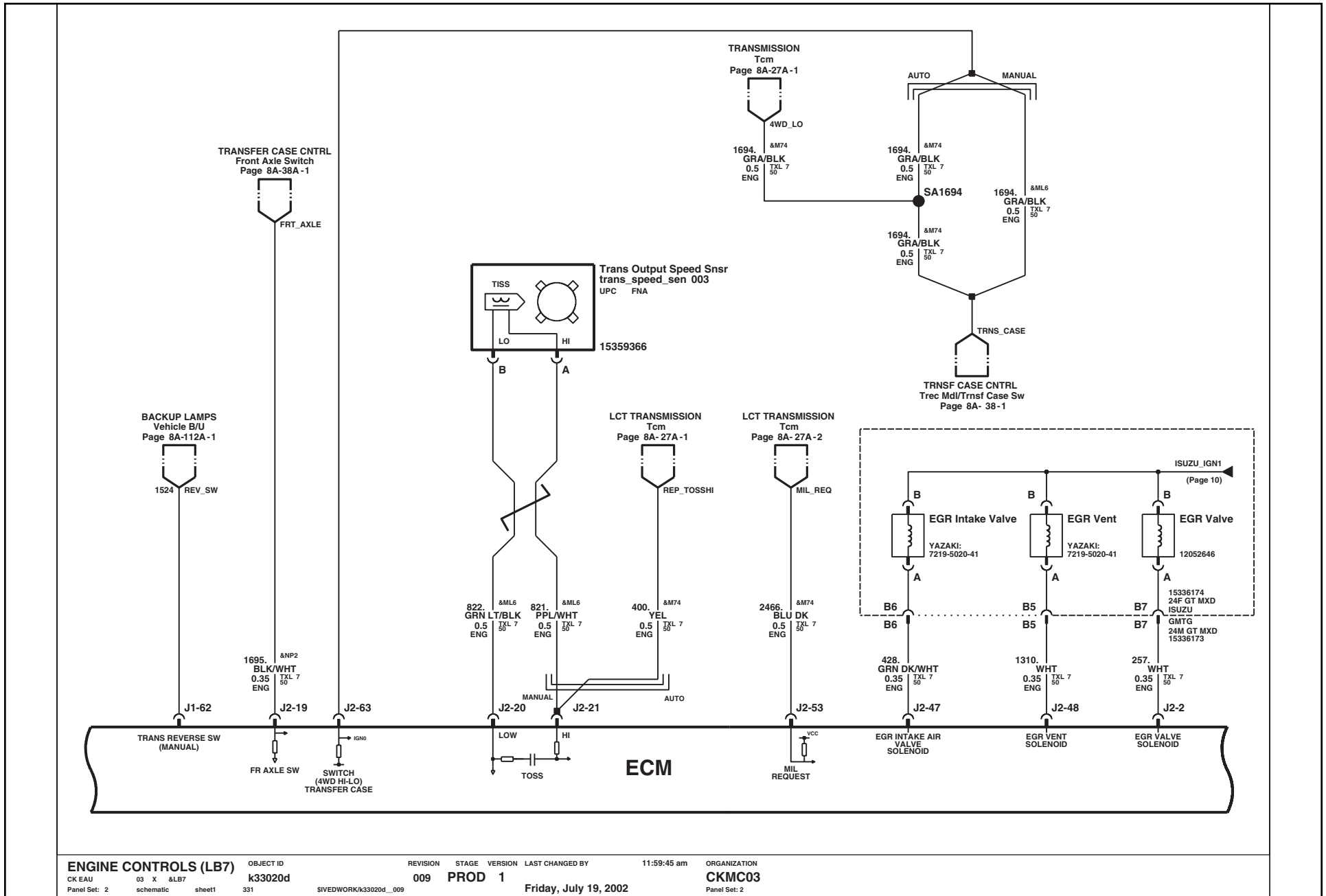
Panel Set: 1 schematic sheet1 331

SIVEDWORK/k33020d\_009

Friday, July 19, 2002

Panel Set: 1

## Engine Controls: LB7 – 6.6L Diesel



ENGINE CONTROLS (LB7)

OBJECT ID  
k33020d

REVISION 009 STAGE PROD 1 VERSION 1 LAST CHANGED BY

11:59:45 am

ORGANIZATION  
CKMC03

CK EAU 03 X &LB7

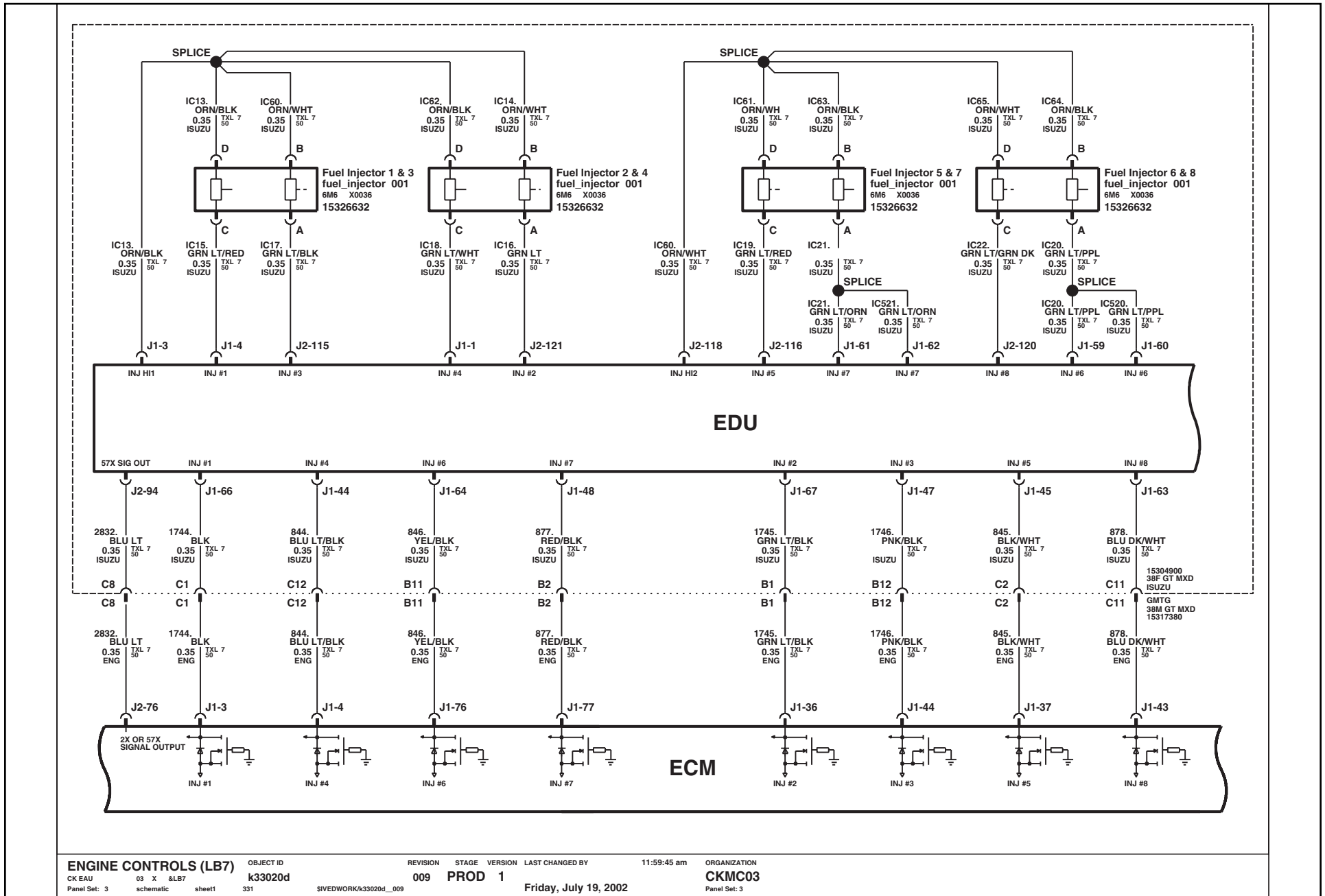
Panel Set: 2 schematic sheet1 331

SIVEDWORK/k33020d\_009

Friday, July 19, 2002

Panel Set: 2

## Engine Controls: LB7 – 6.6L Diesel



**ENGINE CONTROLS (LB7)**

OBJECT ID  
k33020d

REVISION STAGE VERSION LAST CHANGED BY  
009 PROD 1

11:59:45 am ORGANIZATION  
CKMC03

CK EAU 03 X & LB7

Panel Set: 3 schematic sheet1 331

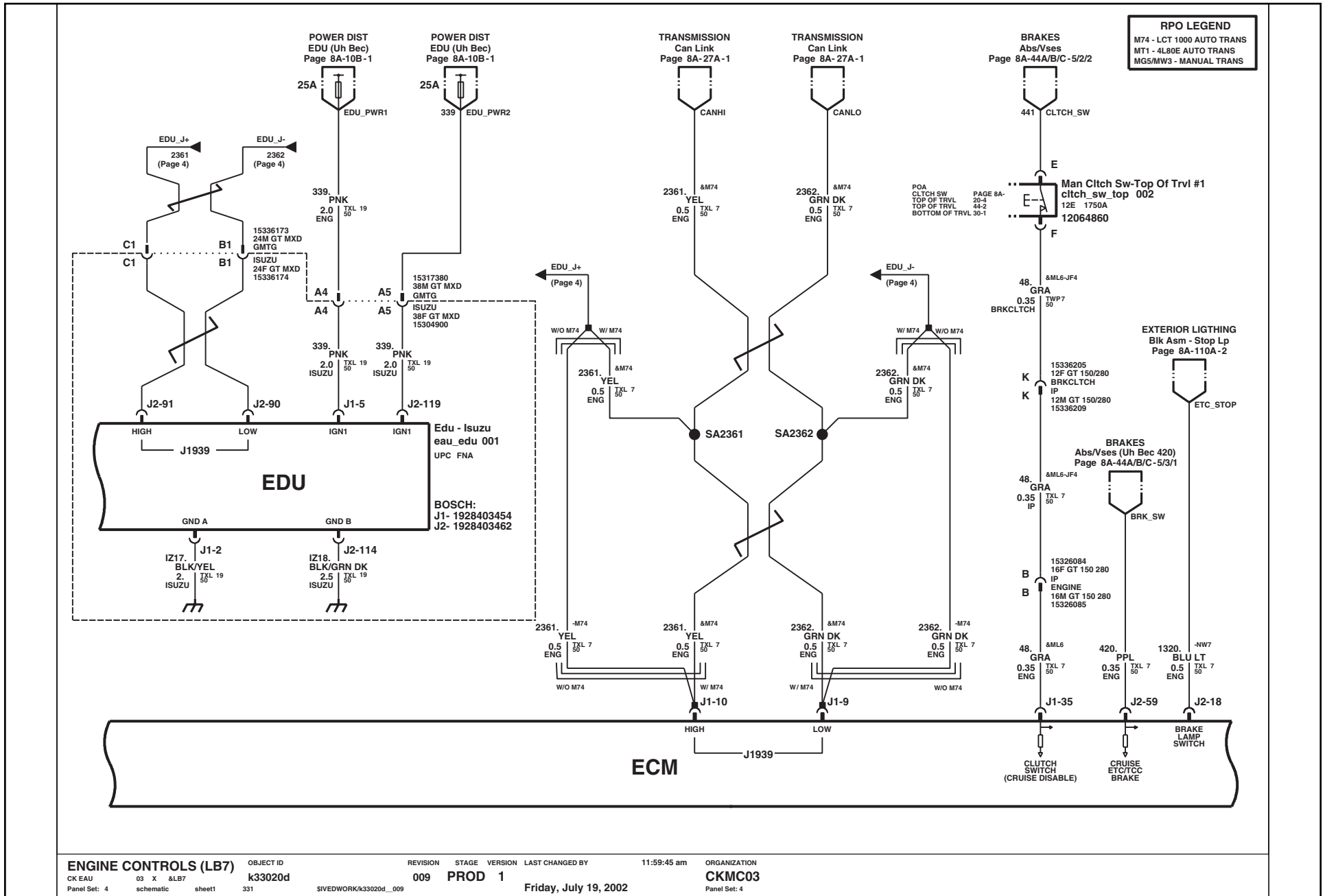
SIVEDWORK/k33020d\_009

Friday, July 19, 2002

Panel Set: 3

# 2003 & BEYOND LIGHT DUTY C/K FULL-SIZE TRUCK ELECTRICAL

## Engine Controls: LB7 – 6.6L Diesel



ENGINE CONTROLS (LB7)

OBJECT ID  
k33020d

REVISION STAGE VERSION LAST CHANGED BY  
009 PROD 1

11:59:45 am

ORGANIZATION  
CKMC03

CK EAU 03 X &LB7

Panel Set: 4 schematic sheet1 331

SIVEDWORK/k33020d\_009

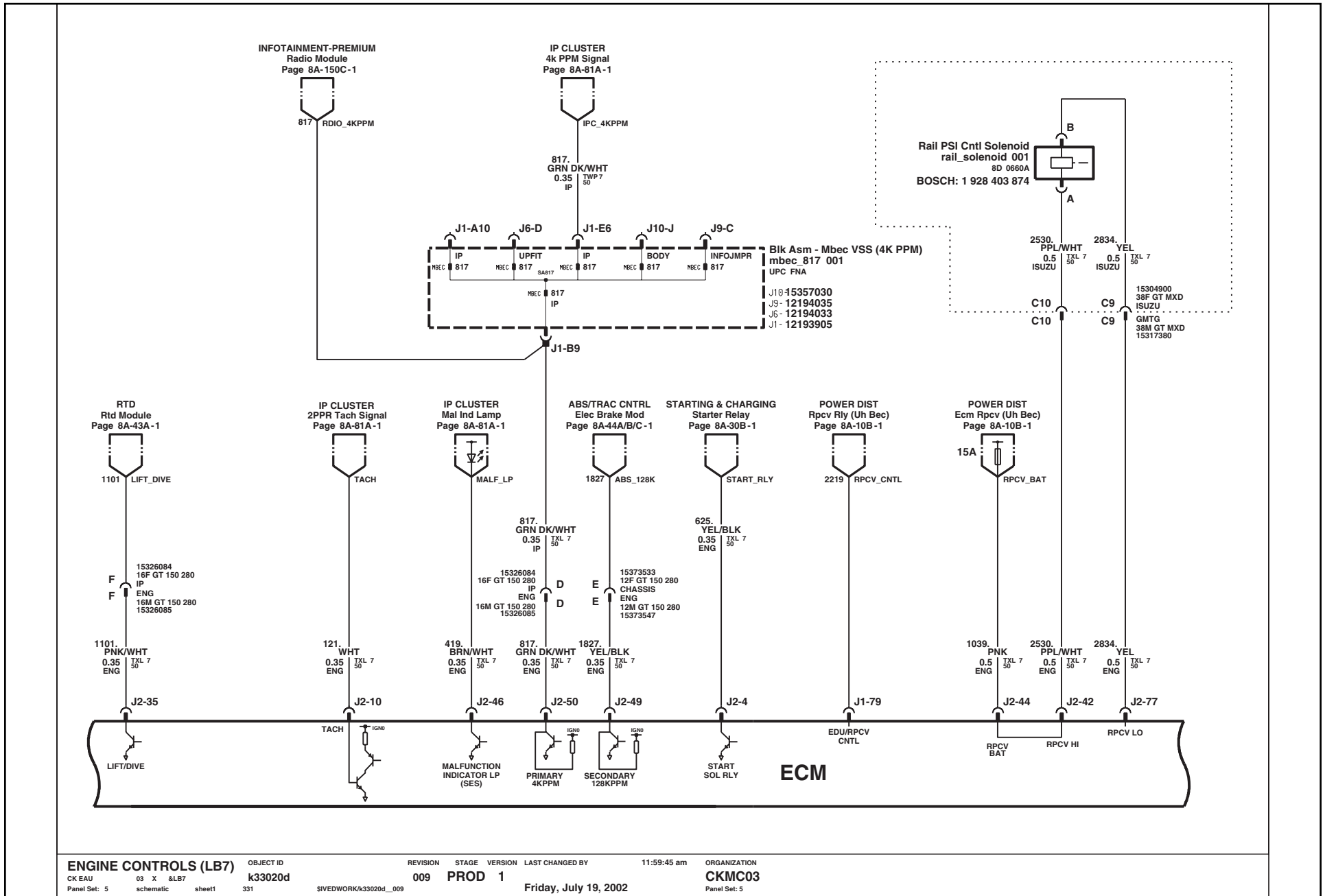
Friday, July 19, 2002

Panel Set: 4

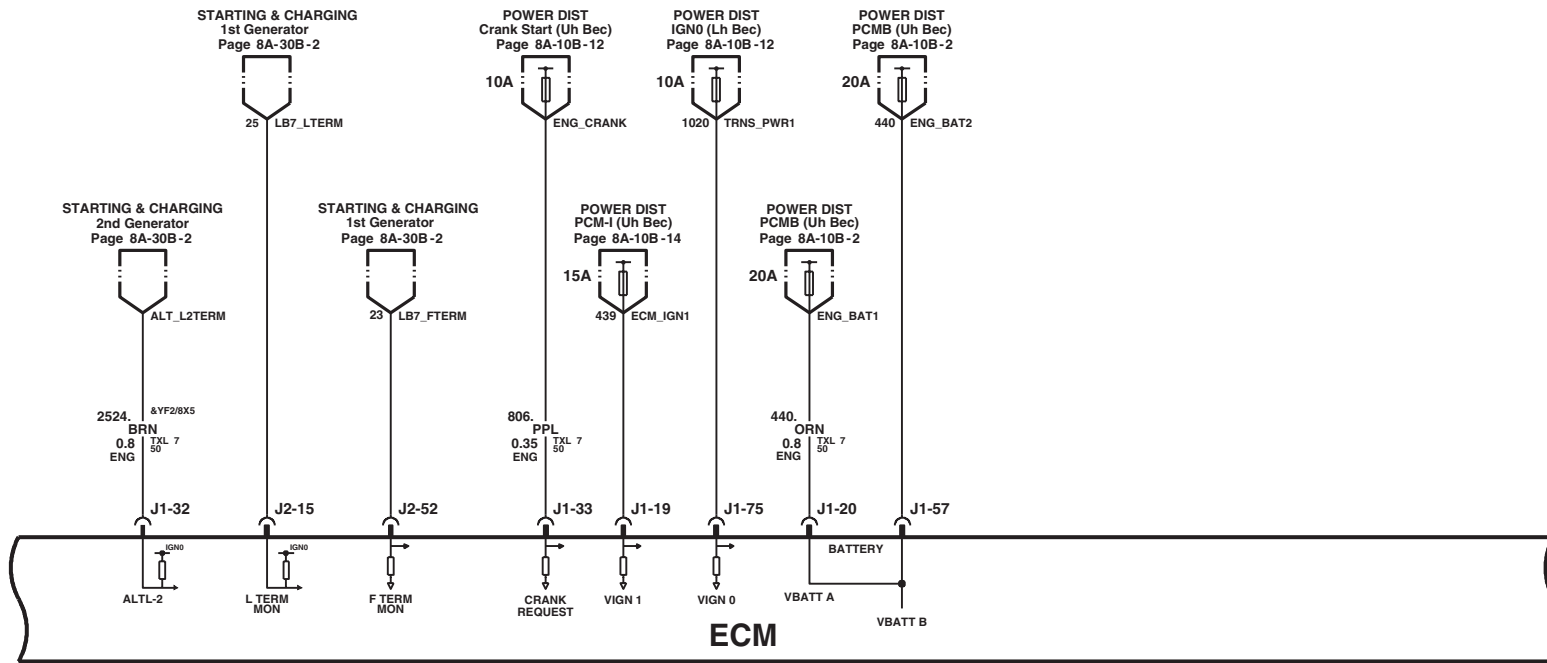


# 2003 & BEYOND LIGHT DUTY C/K FULL-SIZE TRUCK ELECTRICAL

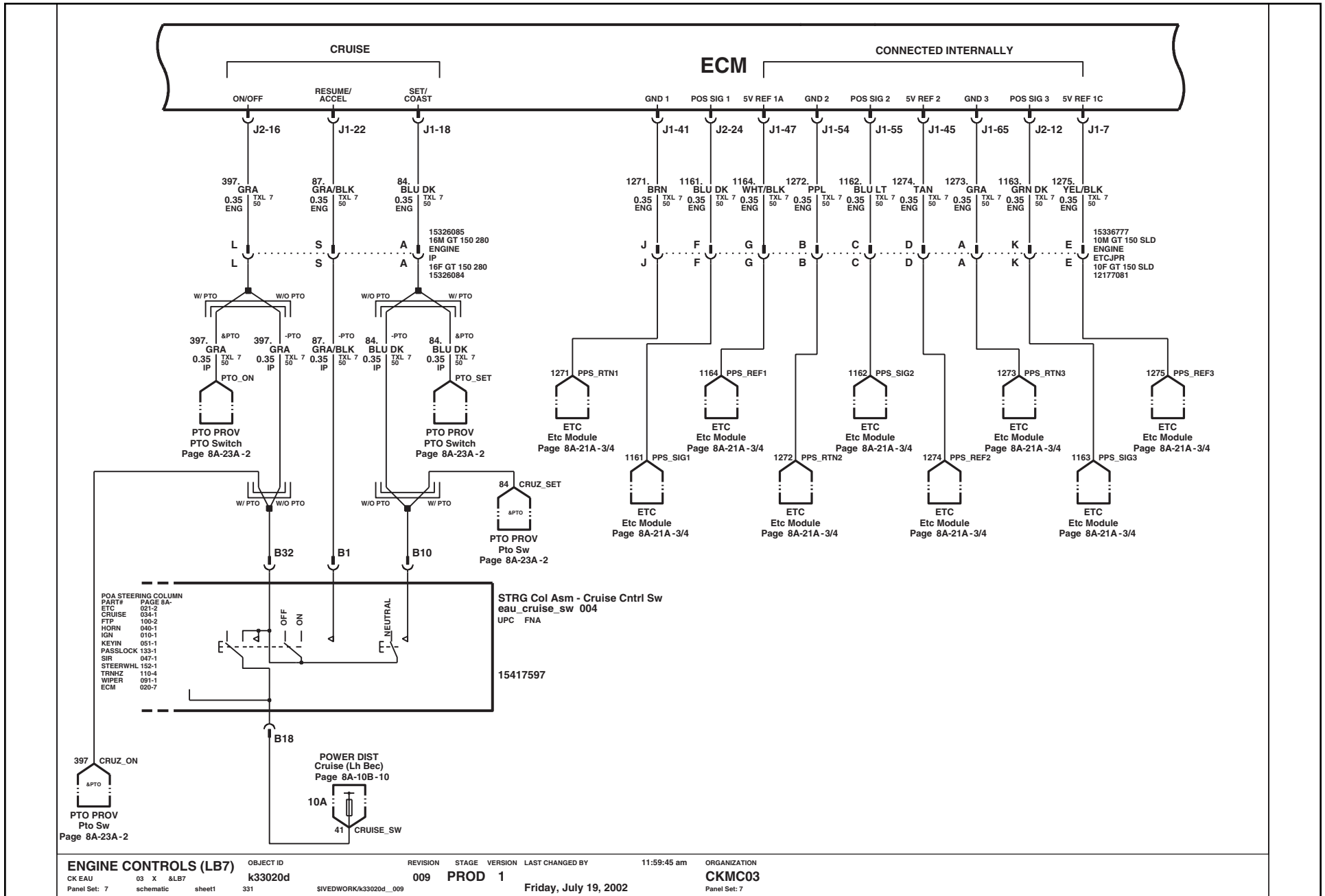
## Engine Controls: LB7 – 6.6L Diesel



## Engine Controls: LB7 – 6.6L Diesel



## Engine Controls: LB7 – 6.6L Diesel



**ENGINE CONTROLS (LB7)**

OBJECT ID  
k33020d

REVISION STAGE VERSION LAST CHANGED BY  
009 PROD 1

11:59:45 am

ORGANIZATION  
CKMC03

Panel Set: 7 schematic sheet1 331

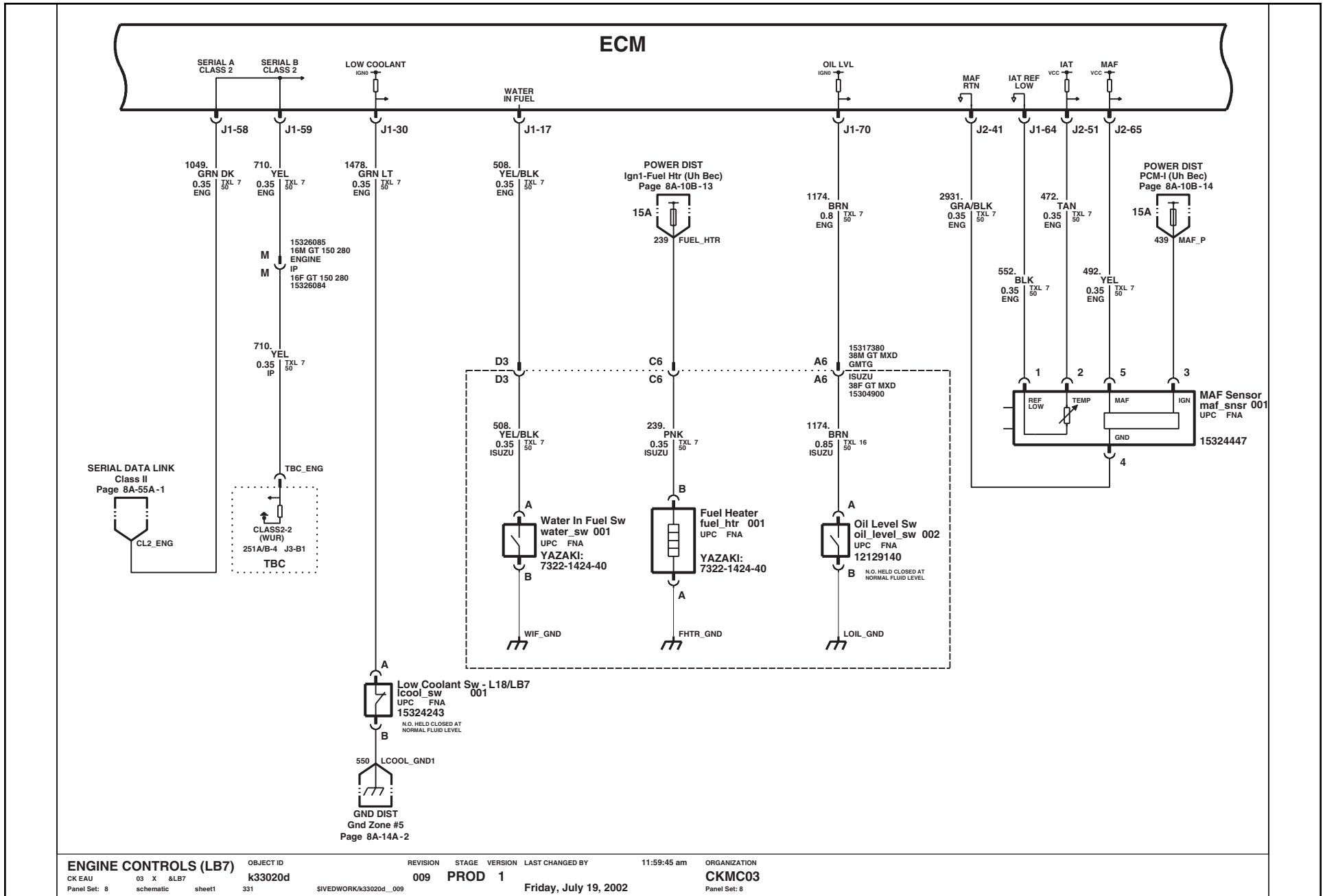
SIVEDWORK/k33020d\_009

Friday, July 19, 2002

Panel Set: 7

# 2003 & BEYOND LIGHT DUTY C/K FULL-SIZE TRUCK ELECTRICAL

## Engine Controls: LB7 – 6.6L Diesel



**ENGINE CONTROLS (LB7)**

CK EAU 03 X &LB7  
Panel Set: 8 schematic sheet1

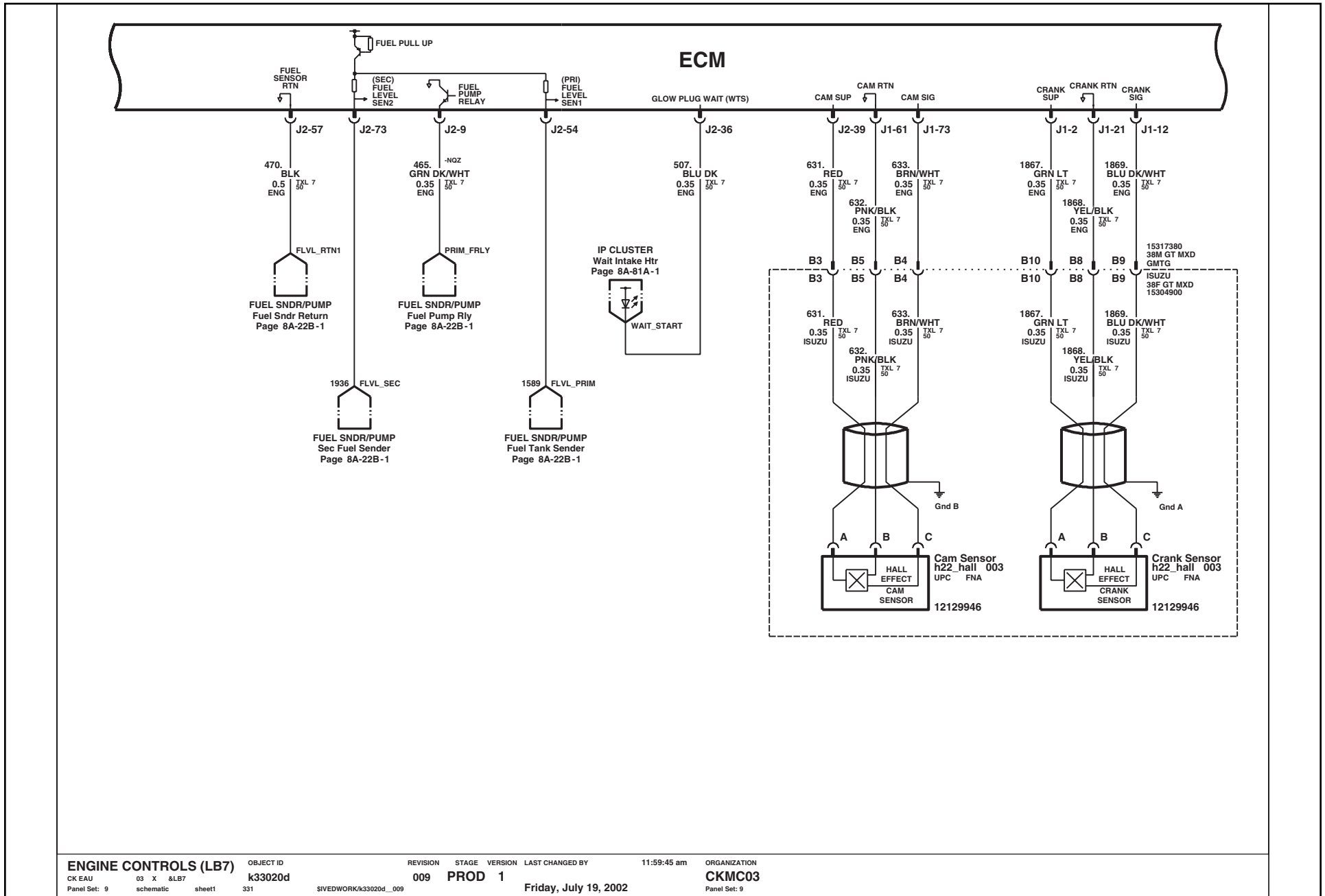
OBJECT ID  
k33020d

REVISION 009  
STAGE PROD 1  
VERSION 1  
LAST CHANGED BY  
SIVEDWORK/k33020d\_009

11:59:45 am  
ORGANIZATION CKMC03  
Friday, July 19, 2002

11:59:45 am  
ORGANIZATION CKMC03  
Panel Set: 8

## Engine Controls: LB7 – 6.6L Diesel



**ENGINE CONTROLS (LB7)**

OBJECT ID  
k33020d

REVISION STAGE VERSION LAST CHANGED BY  
009 PROD 1

11:59:45 am

ORGANIZATION  
CKMC03

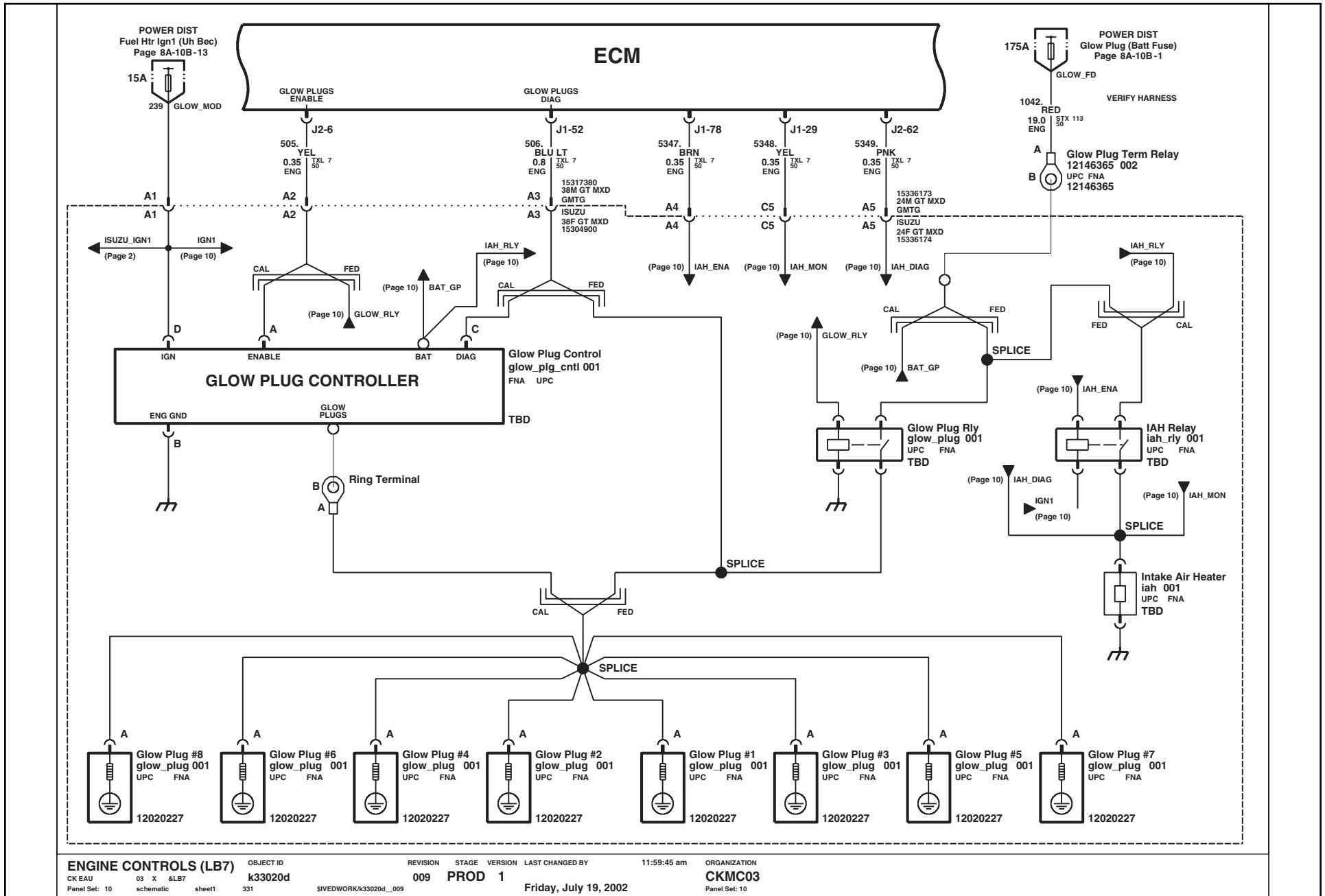
CK EAU 03 X &LB7  
Panel Set: 9 schematic sheet1 331

SIVEDWORK/k33020d\_009

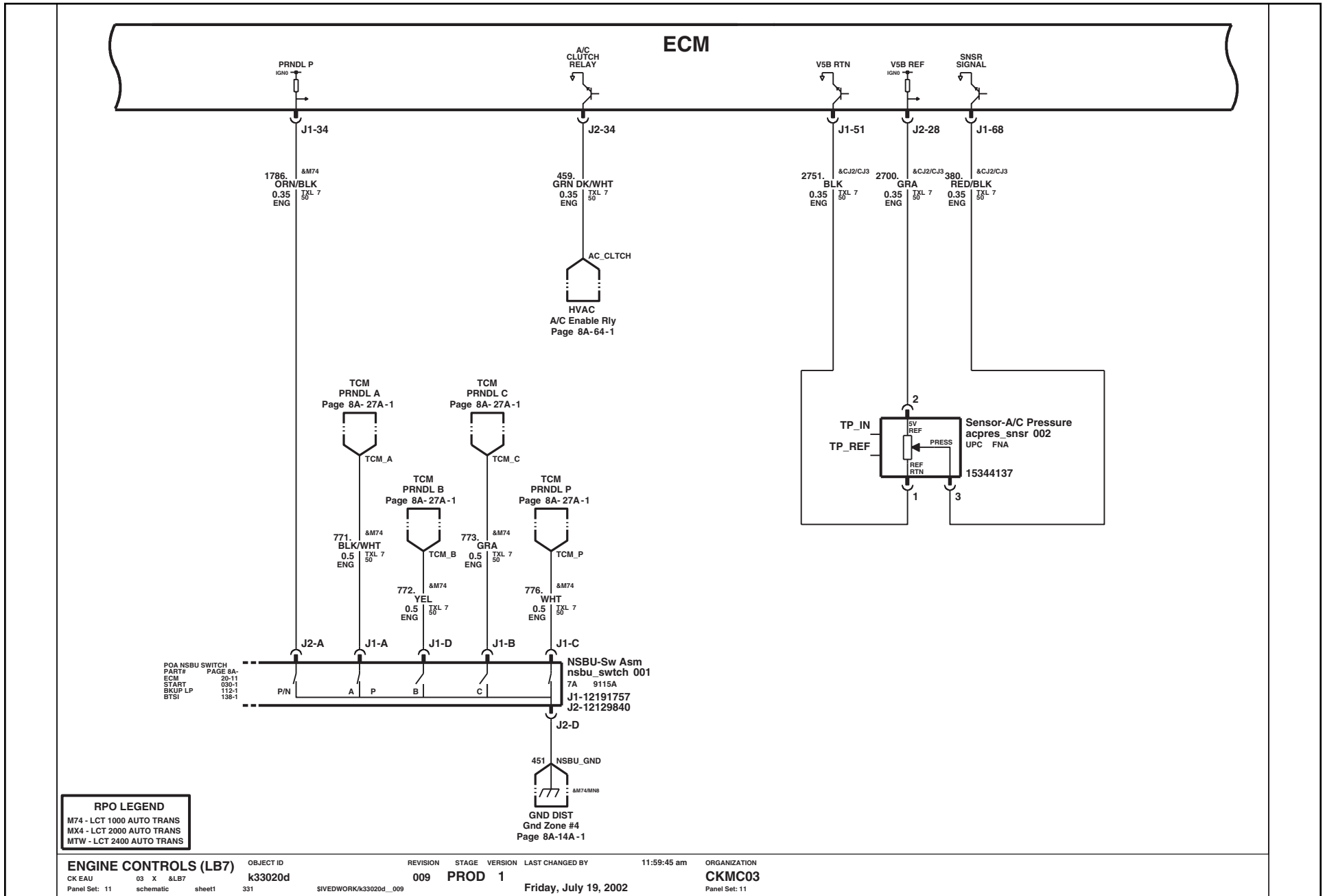
Friday, July 19, 2002

Panel Set: 9

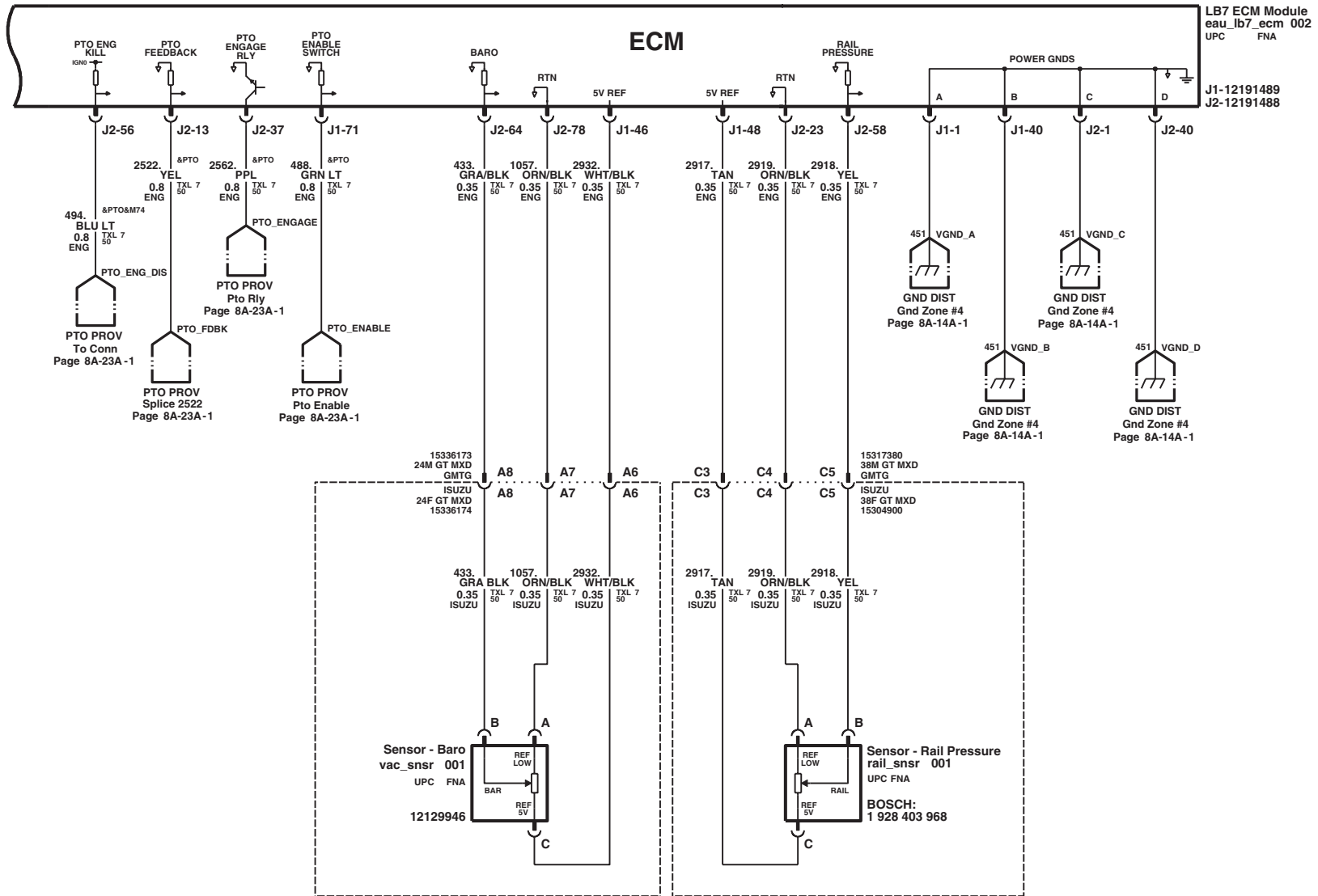
## Engine Controls: LB7 – 6.6L Diesel



## Engine Controls: LB7 – 6.6L Diesel

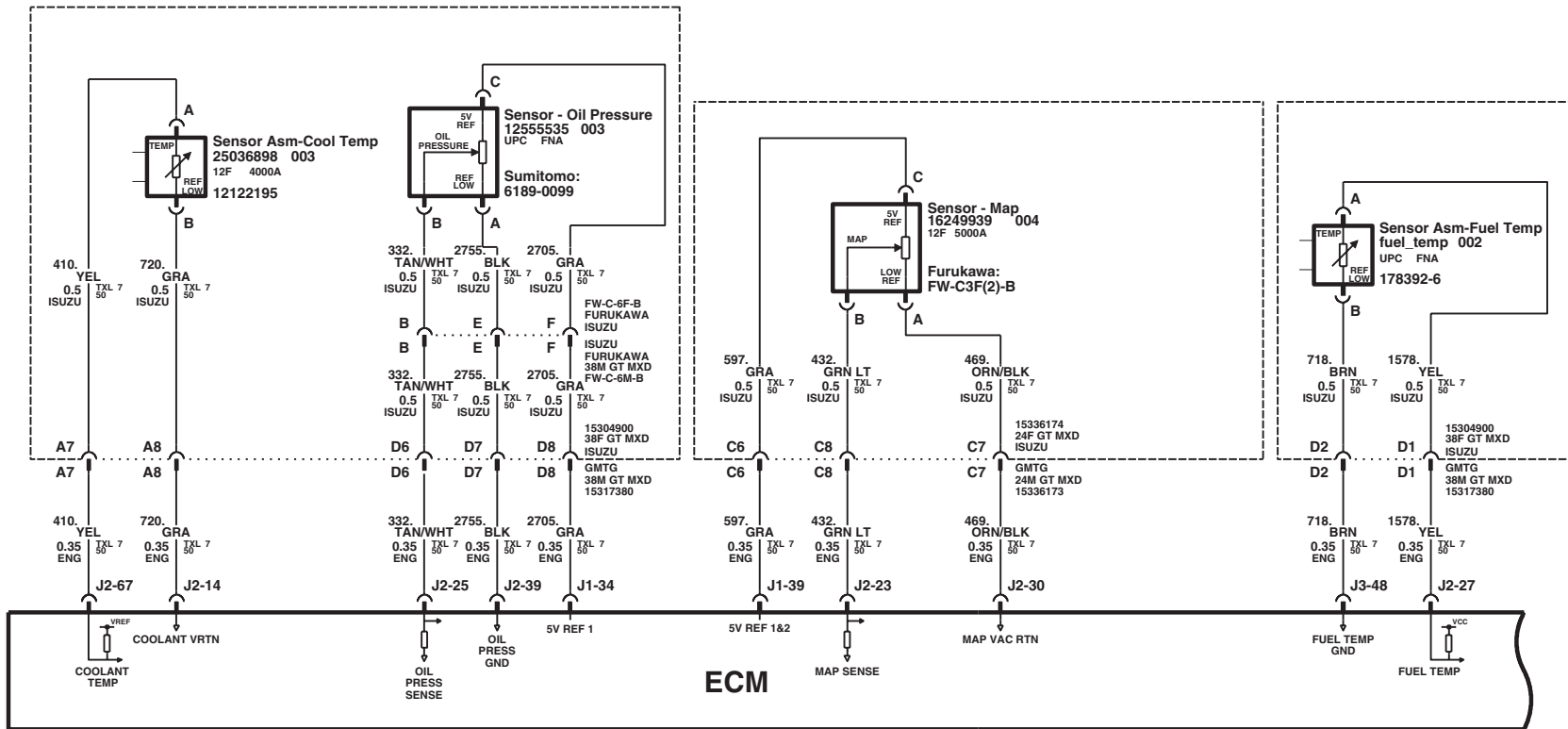


## Engine Controls: LB7 – 6.6L Diesel





## Engine Controls: LLY – 6.6L Diesel



ENGINE CONTROLS (LLY)

OBJECT ID  
k43020d

REVISION STAGE VERSION LAST CHANGED BY  
005 PROD 1

3:30:28 pm

ORGANIZATION  
CKMCE

CK EAU  
Panel Set: 1 of 14

04 X &LLY  
schematic sheet1

153

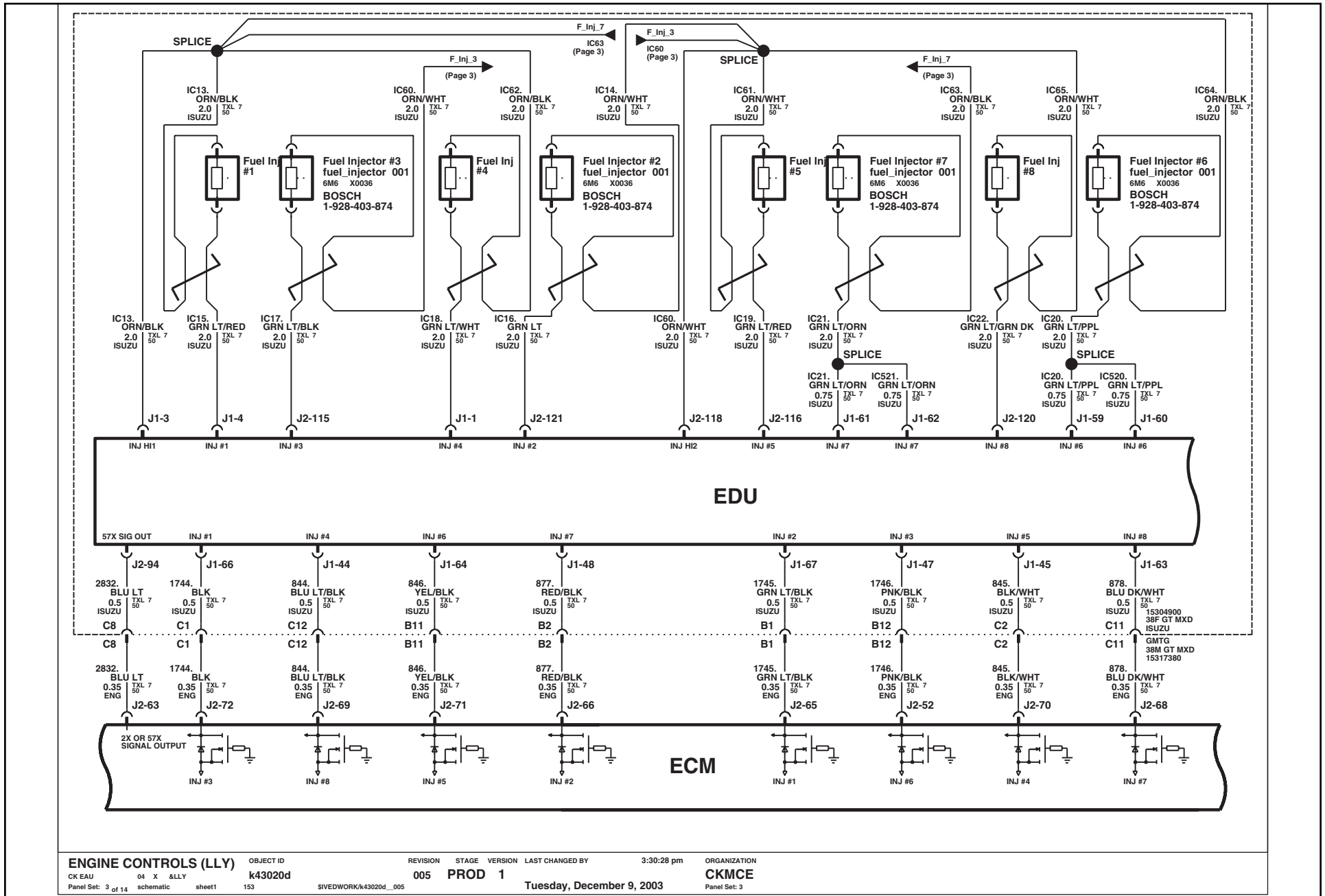
SIVEDWORK/k43020d\_005

Tuesday, December 9, 2003

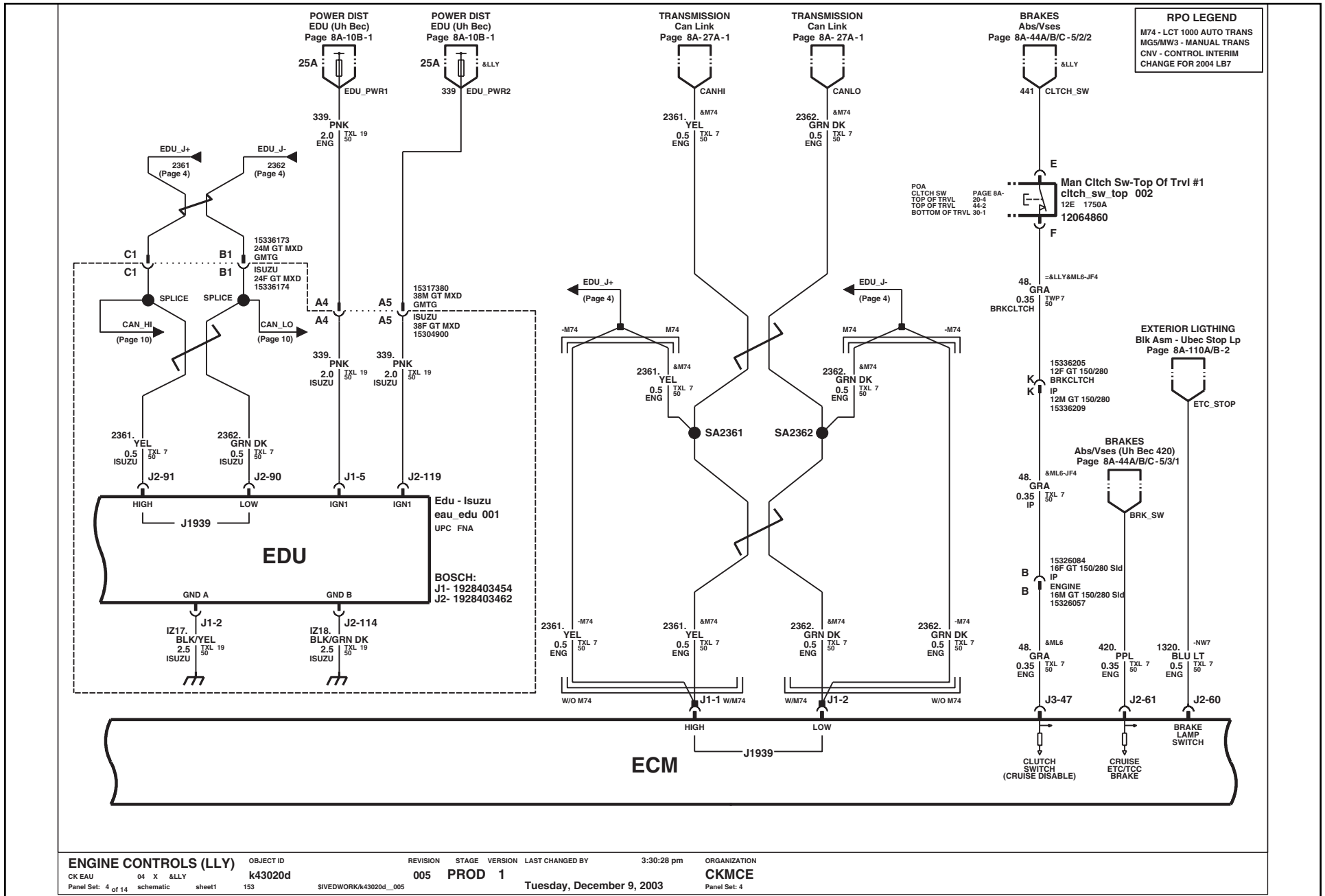
Panel Set: 1



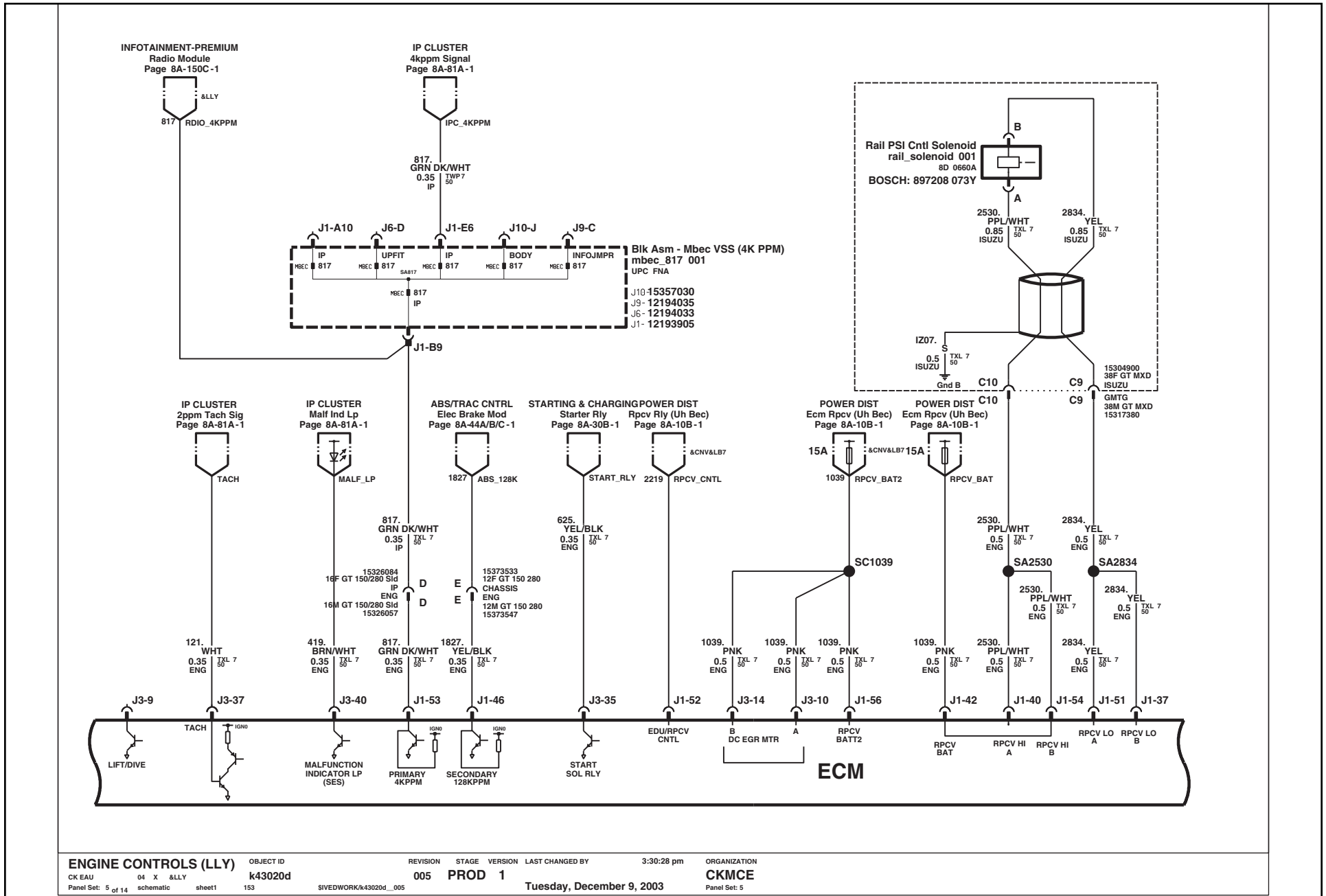
## Engine Controls: LLY - 6.6L Diesel



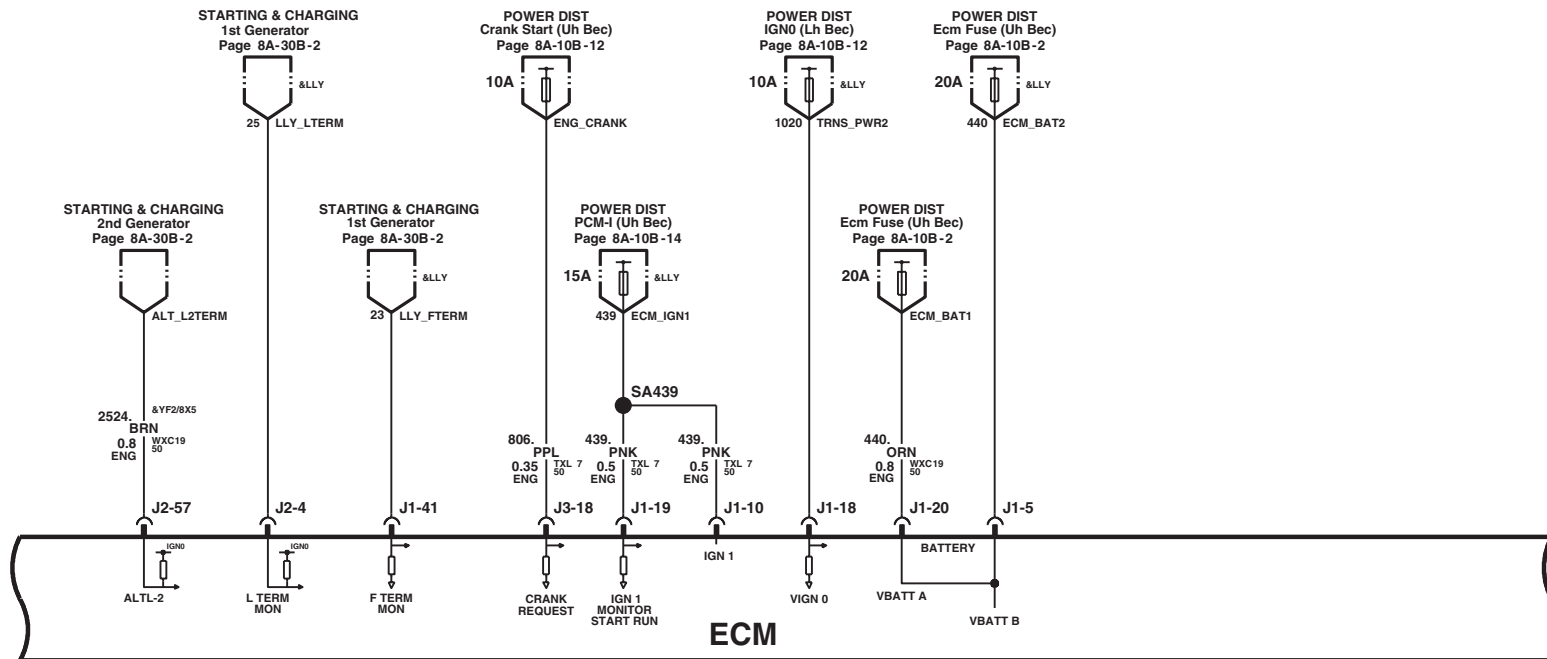
## Engine Controls: LLY – 6.6L Diesel



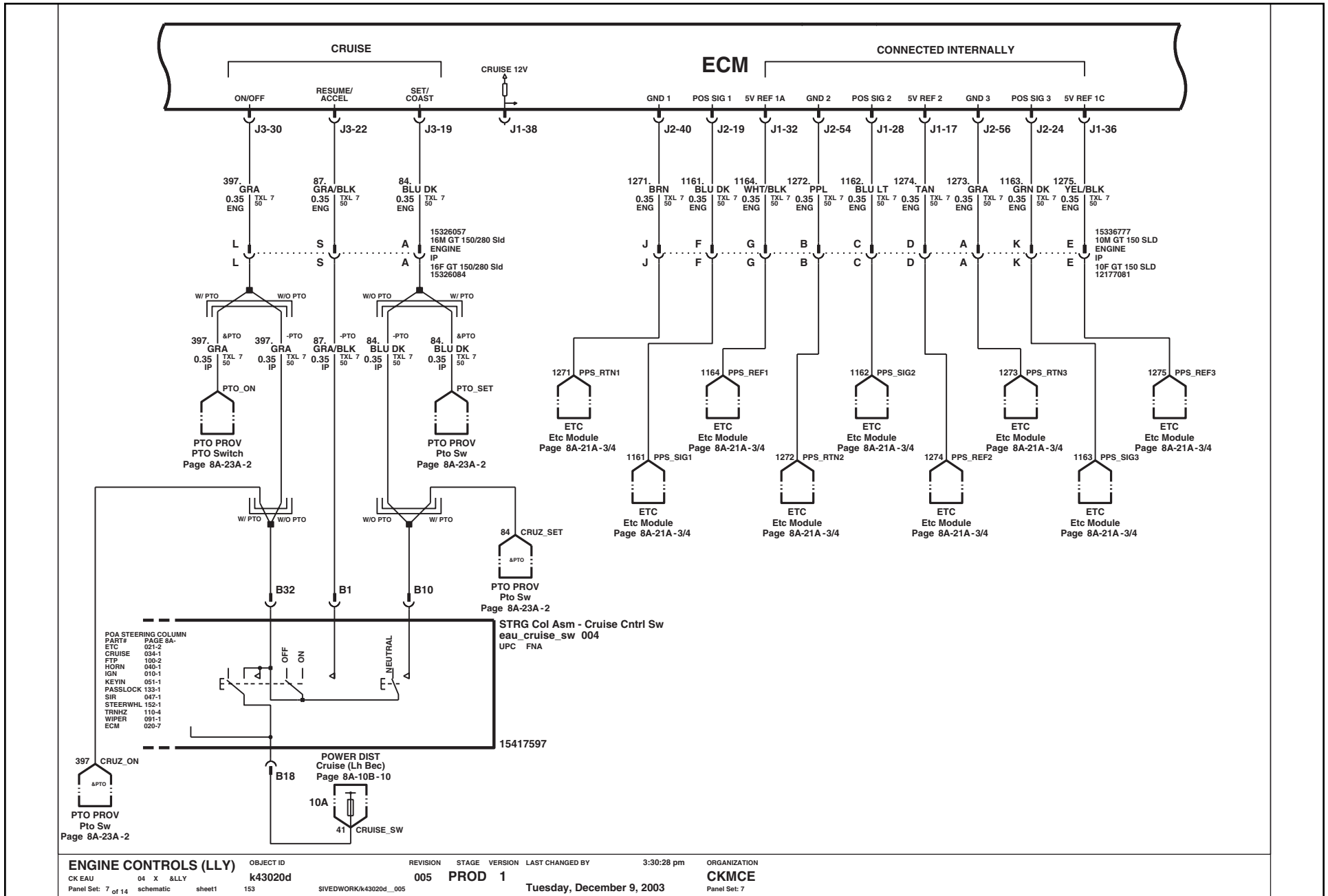
## Engine Controls: LLY – 6.6L Diesel



## Engine Controls: LLY – 6.6L Diesel



## Engine Controls: LLY - 6.6L Diesel



ENGINE CONTROLS (LLY)

OBJECT ID

REVISION STAGE VERSION LAST CHANGED BY

3:30:28 pm

ORGANIZATION

CK EAU 04 X &LLY

k43020d

005 PROD 1

CKMCE

Panel Set: 7 of 14 schematic sheet1 153

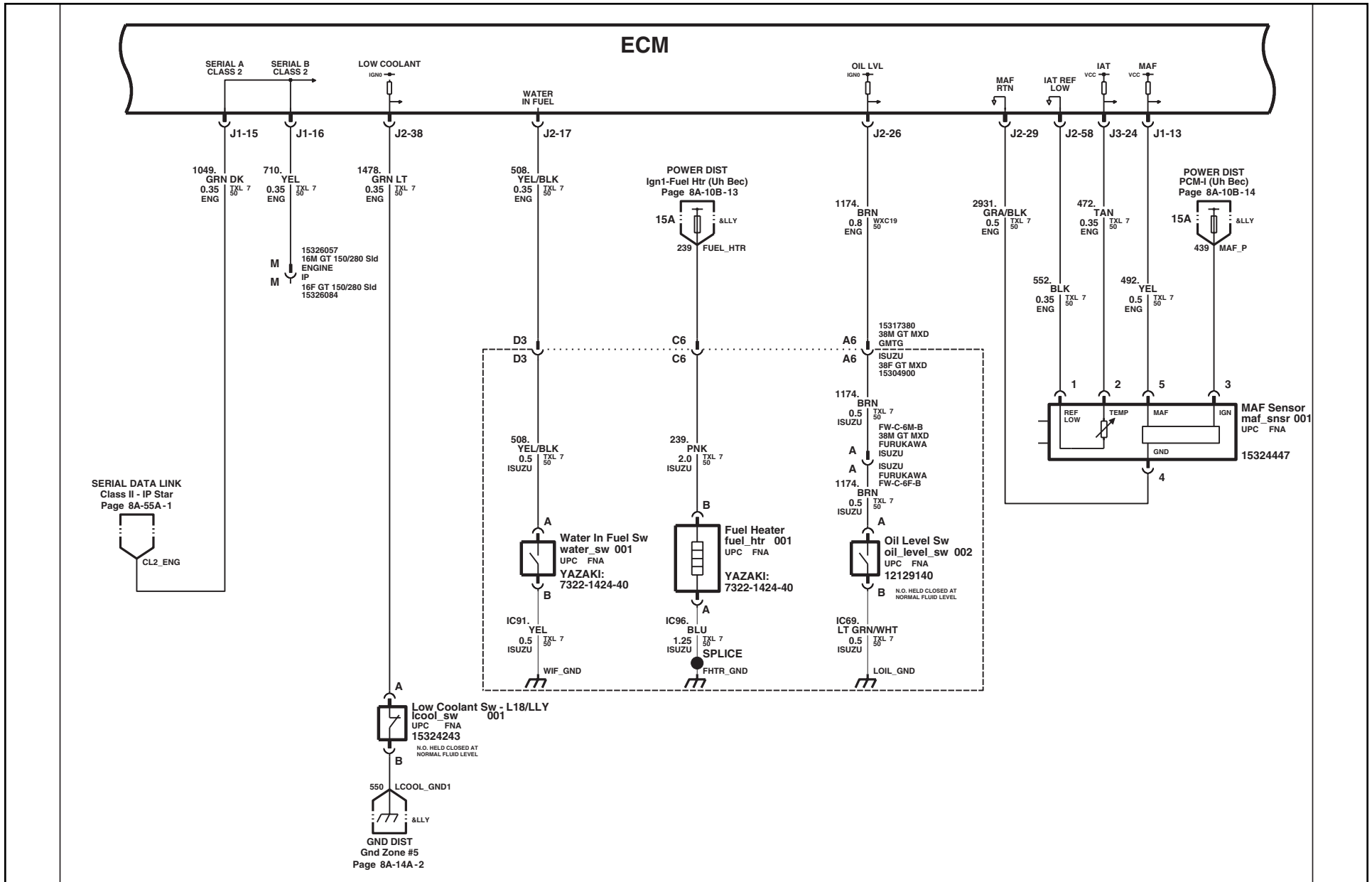
SIVEDWORK/k43020d\_005

Tuesday, December 9, 2003

Panel Set: 7

# 2003 & BEYOND LIGHT DUTY C/K FULL-SIZE TRUCK ELECTRICAL

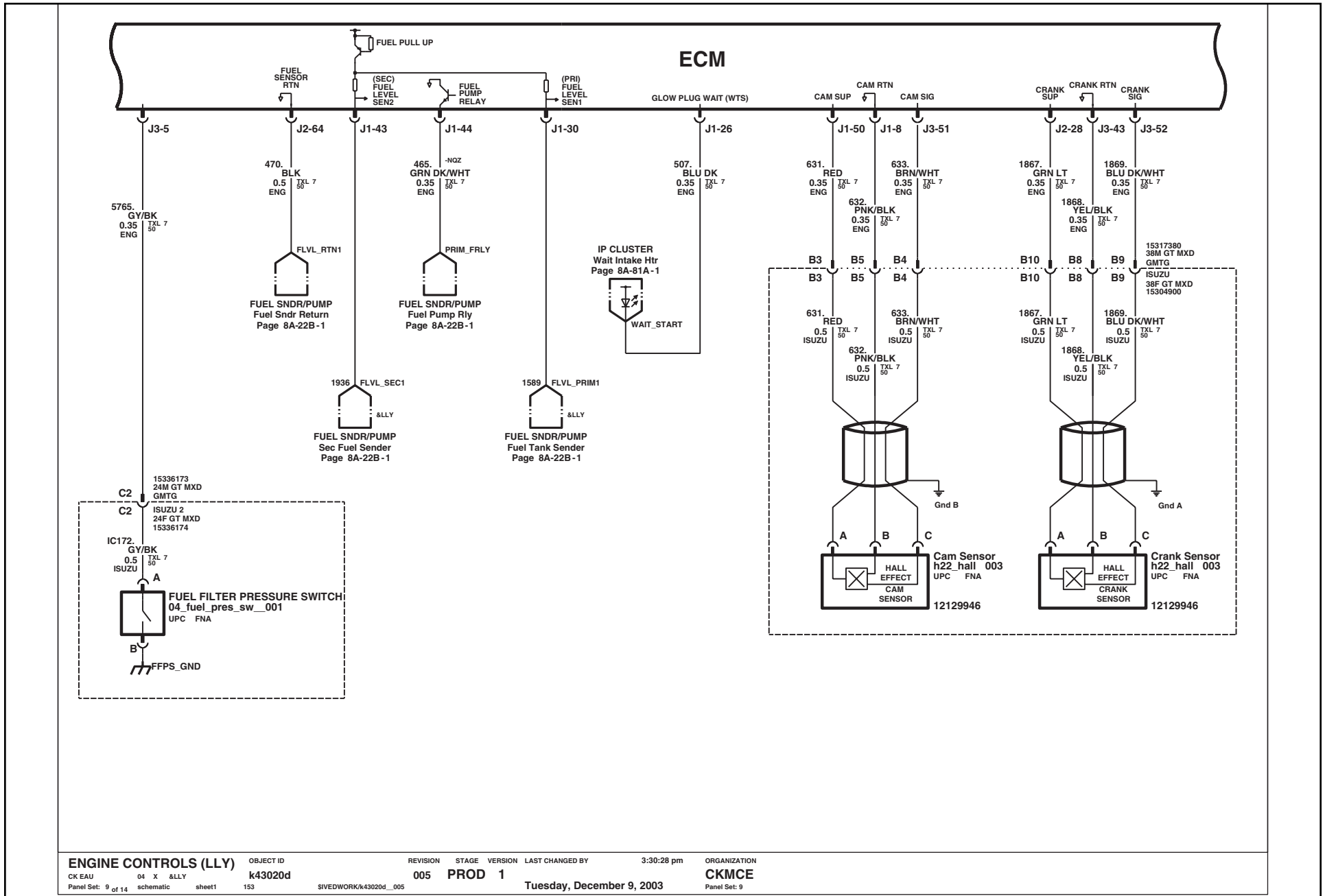
## Engine Controls: LLY – 6.6L Diesel



ENGINE CONTROLS (LLY)		OBJECT ID	REVISION	STAGE	VERSION	LAST CHANGED BY	3:30:28 pm	ORGANIZATION
CK EAU	04 X &LLY	k43020d	005	PROD	1			CKMCE
Panel Set: 8 of 14	schematic sheet1	153	SIVEDWORK/k43020d_005		Tuesday, December 9, 2003			Panel Set: 8

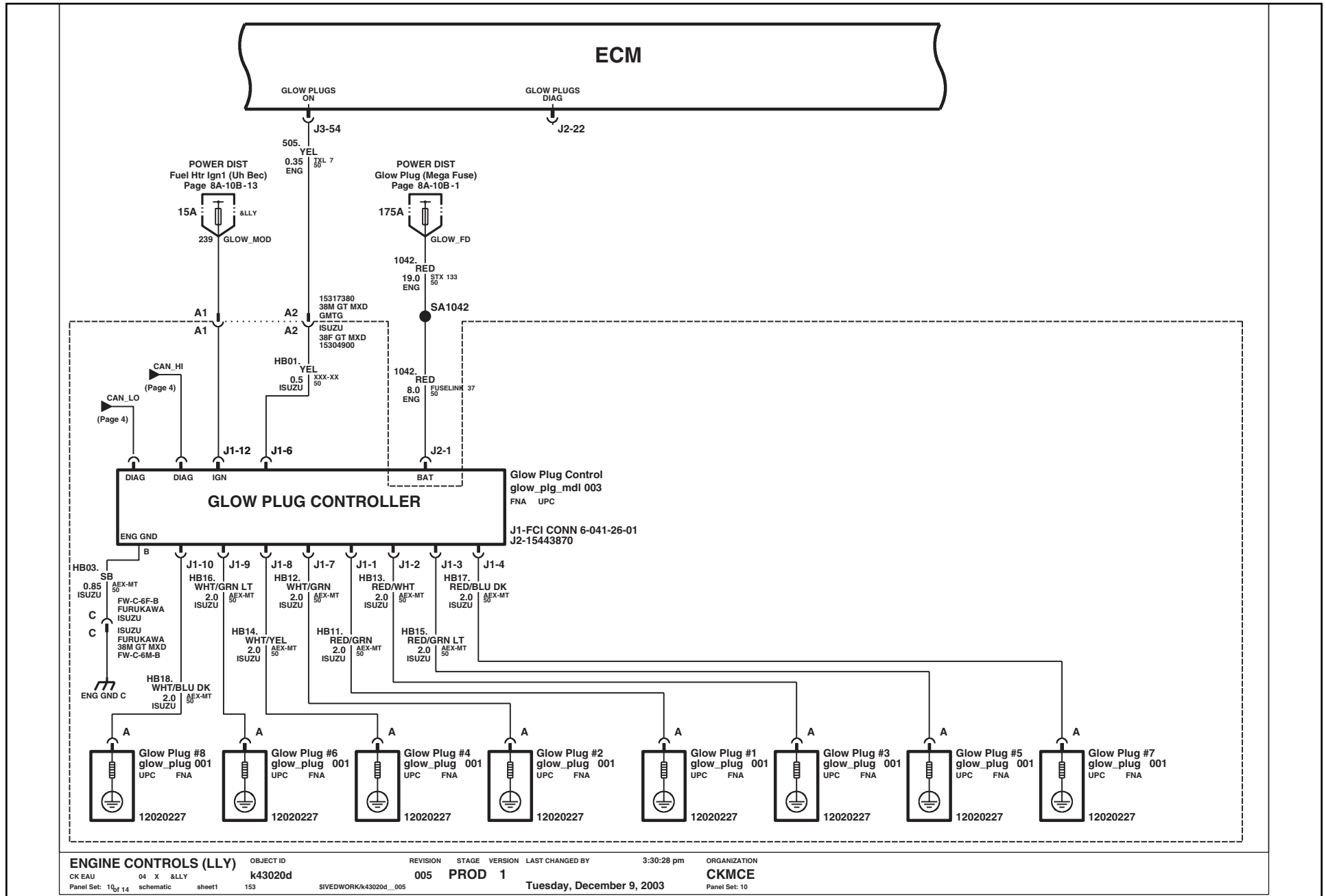


## Engine Controls: LLY – 6.6L Diesel



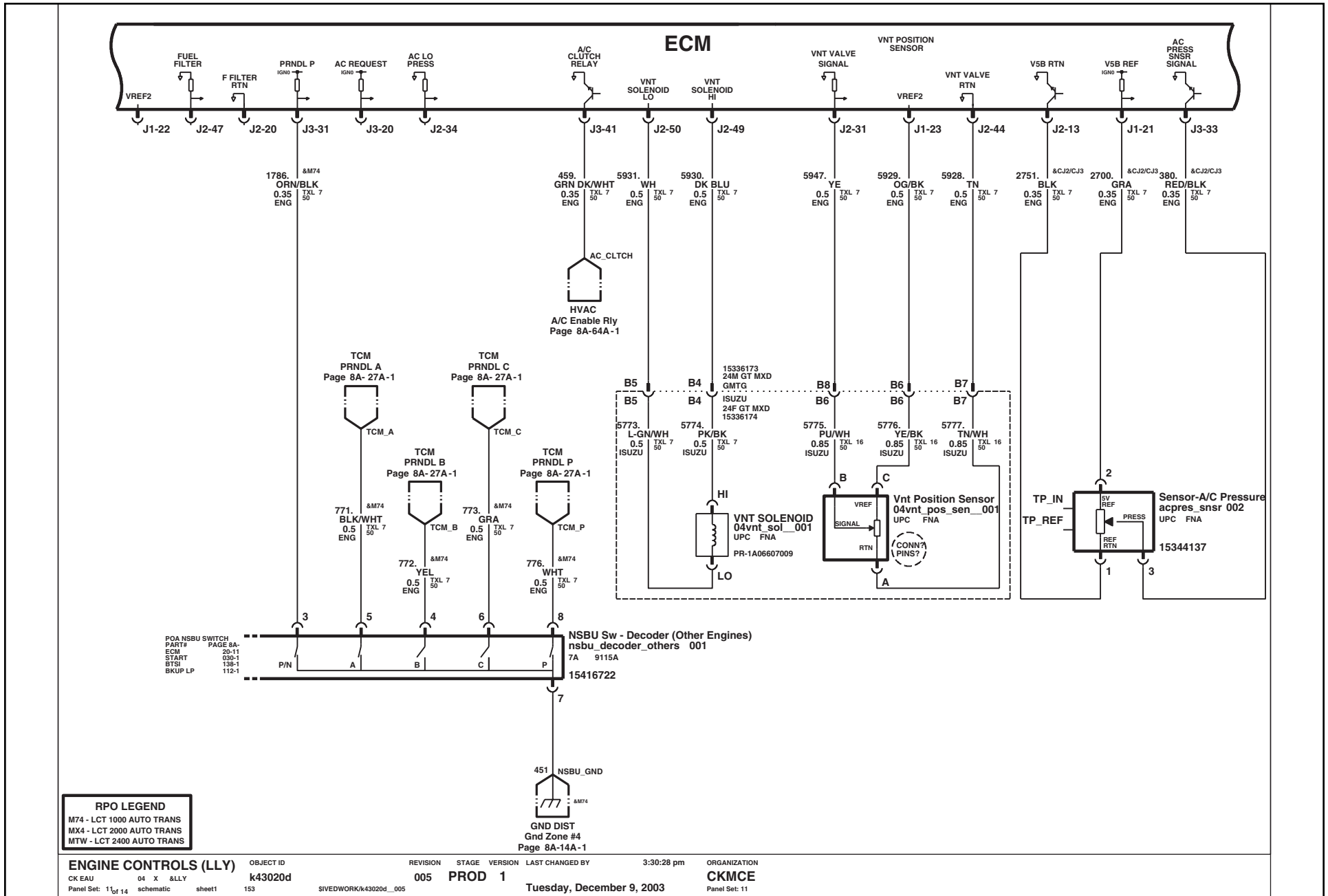
ENGINE CONTROLS (LLY)	OBJECT ID	REVISION	STAGE	VERSION	LAST CHANGED BY	3:30:28 pm	ORGANIZATION
CK EAU	04 X &LLY	005	PROD	1			CKMCE
Panel Set: 9 of 14	schematic sheet1 153	SIVEDWORK/k43020d_005		Tuesday, December 9, 2003		Panel Set: 9	

## Engine Controls: LLY – 6.6L Diesel

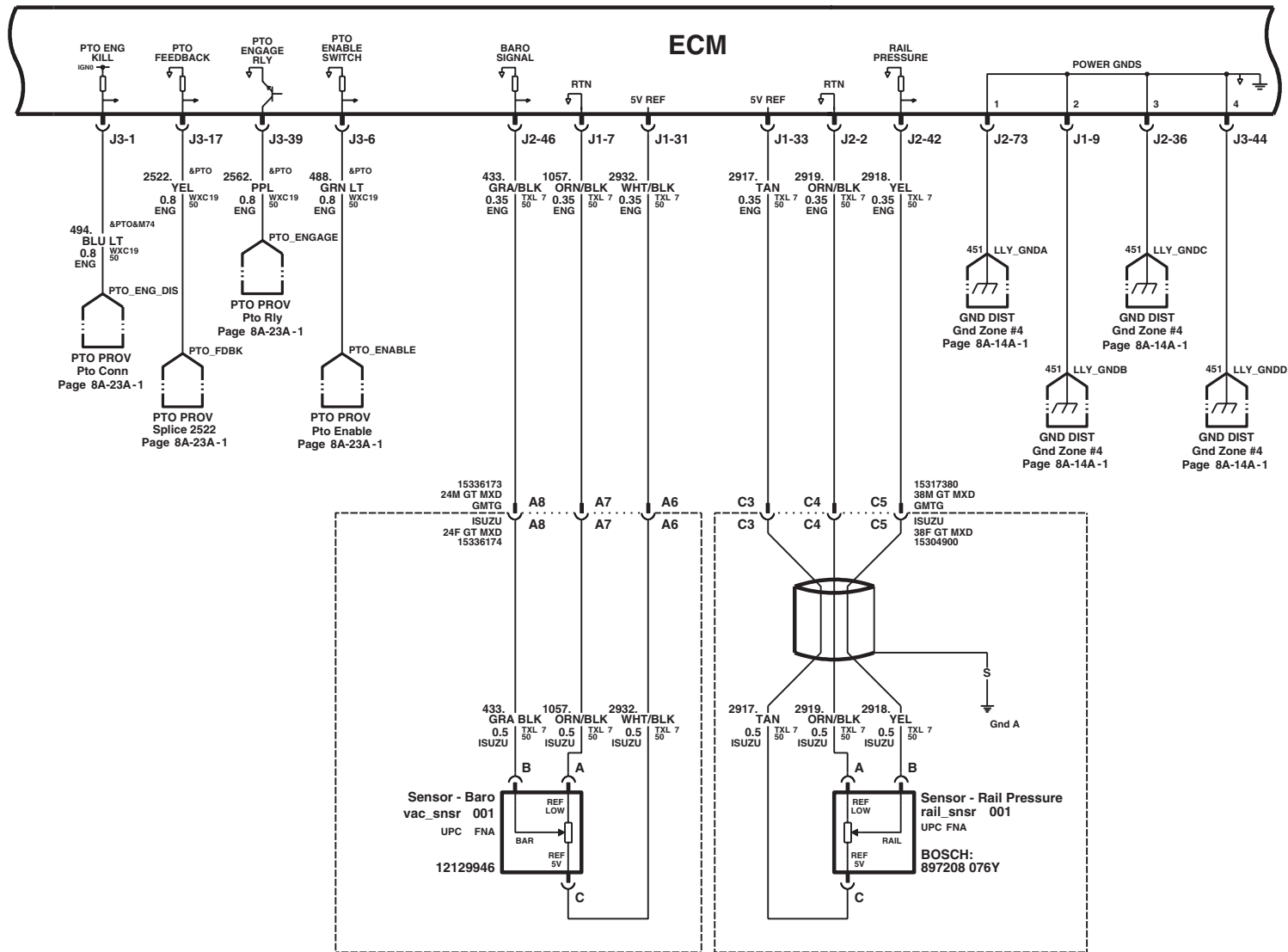


ENGINE CONTROLS (LLY)	OBJECT ID	REVISION	STAGE	VERSION	LAST CHANGED BY	3:30:28 pm	ORGANIZATION
CK EAU	04 X &LLY	005	PROD	1			CKMCE
Panel Set: 1 of 14	schematic sheet1 153	SIVEDWORK/k43020d_005			Tuesday, December 9, 2003		Panel Set: 10

## Engine Controls: LLY - 6.6L Diesel



## Engine Controls: LLY – 6.6L Diesel



**ENGINE CONTROLS (LLY)**

OBJECT ID  
k43020d

REVISION STAGE VERSION LAST CHANGED BY 3:30:28 pm

ORGANIZATION  
CKMCE

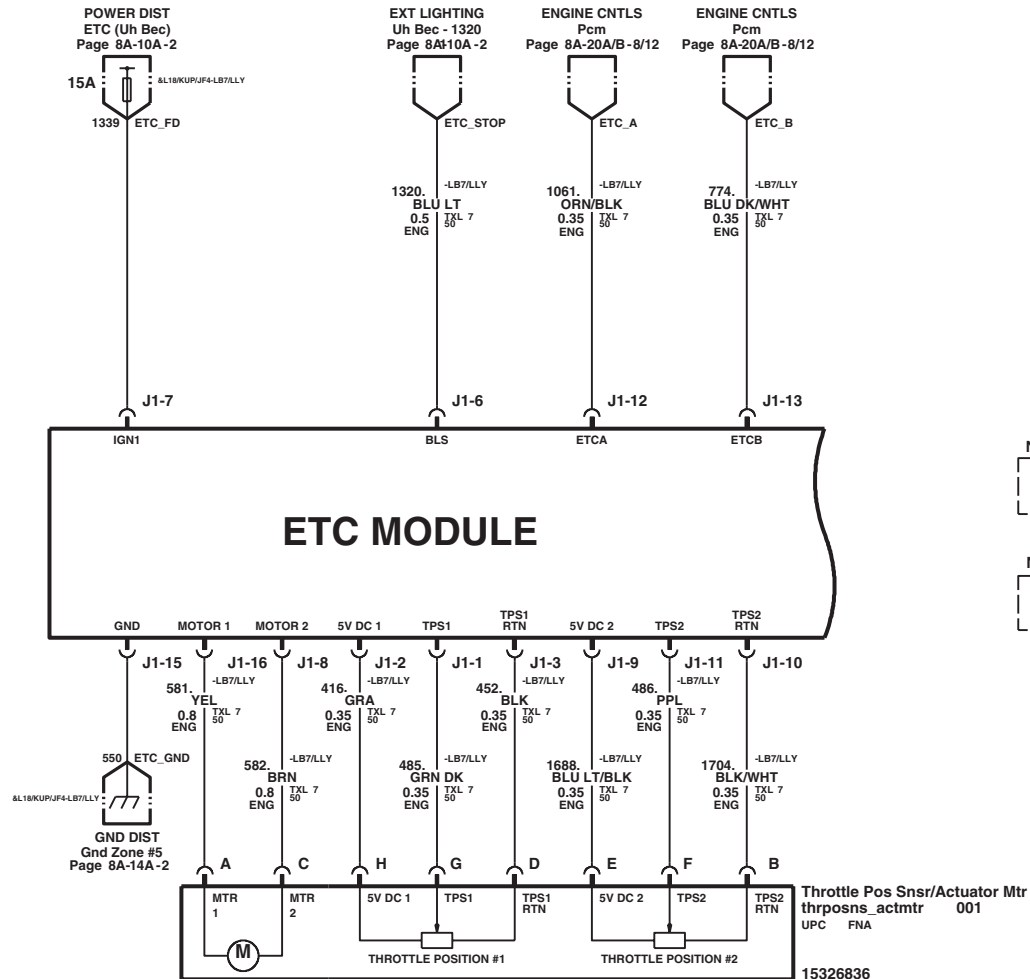
CK EAU 04 X &LLY sheet1 153

SIVEDWORK/k43020d...005

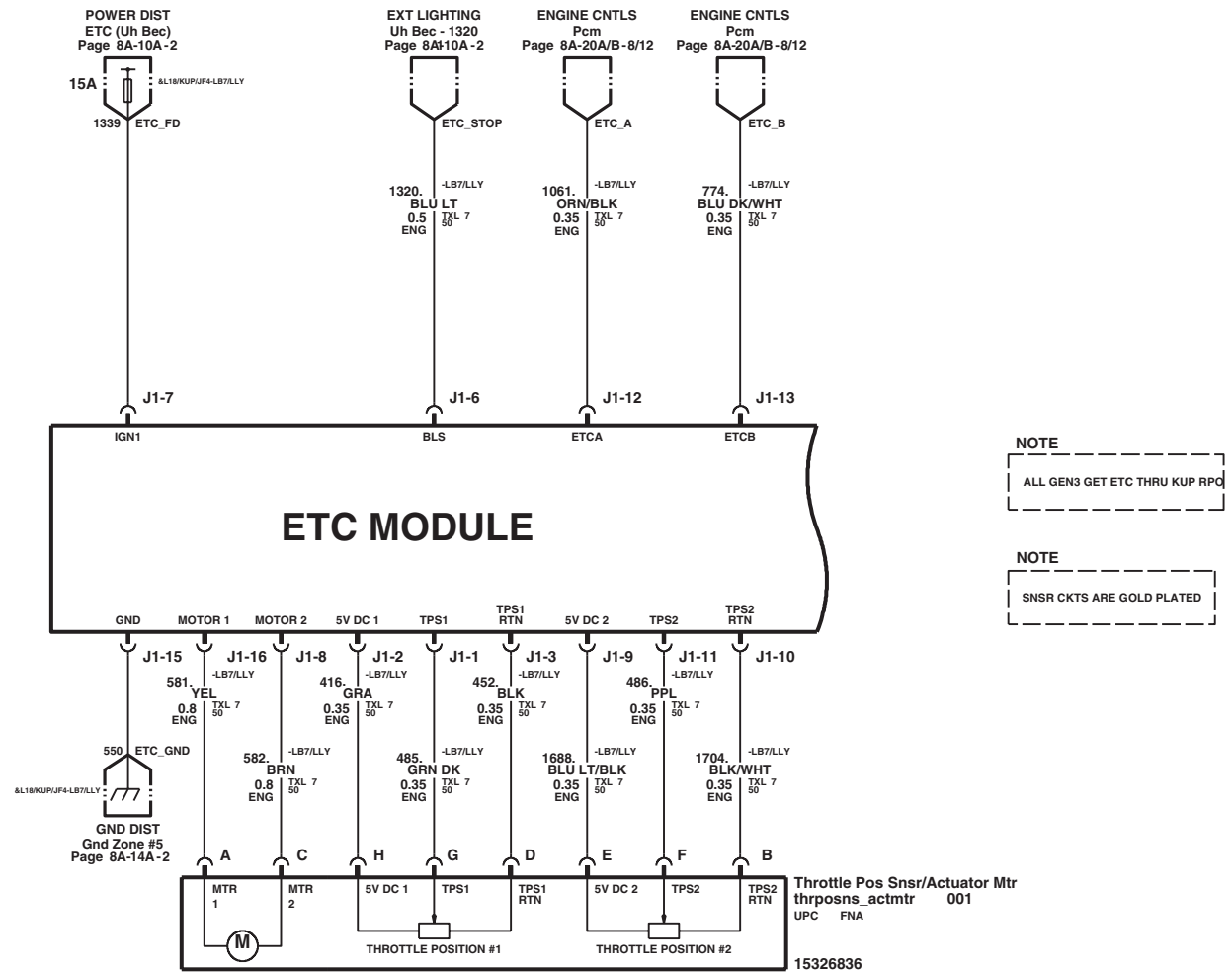
005 PROD 1 Tuesday, December 9, 2003

Panel Set: 12

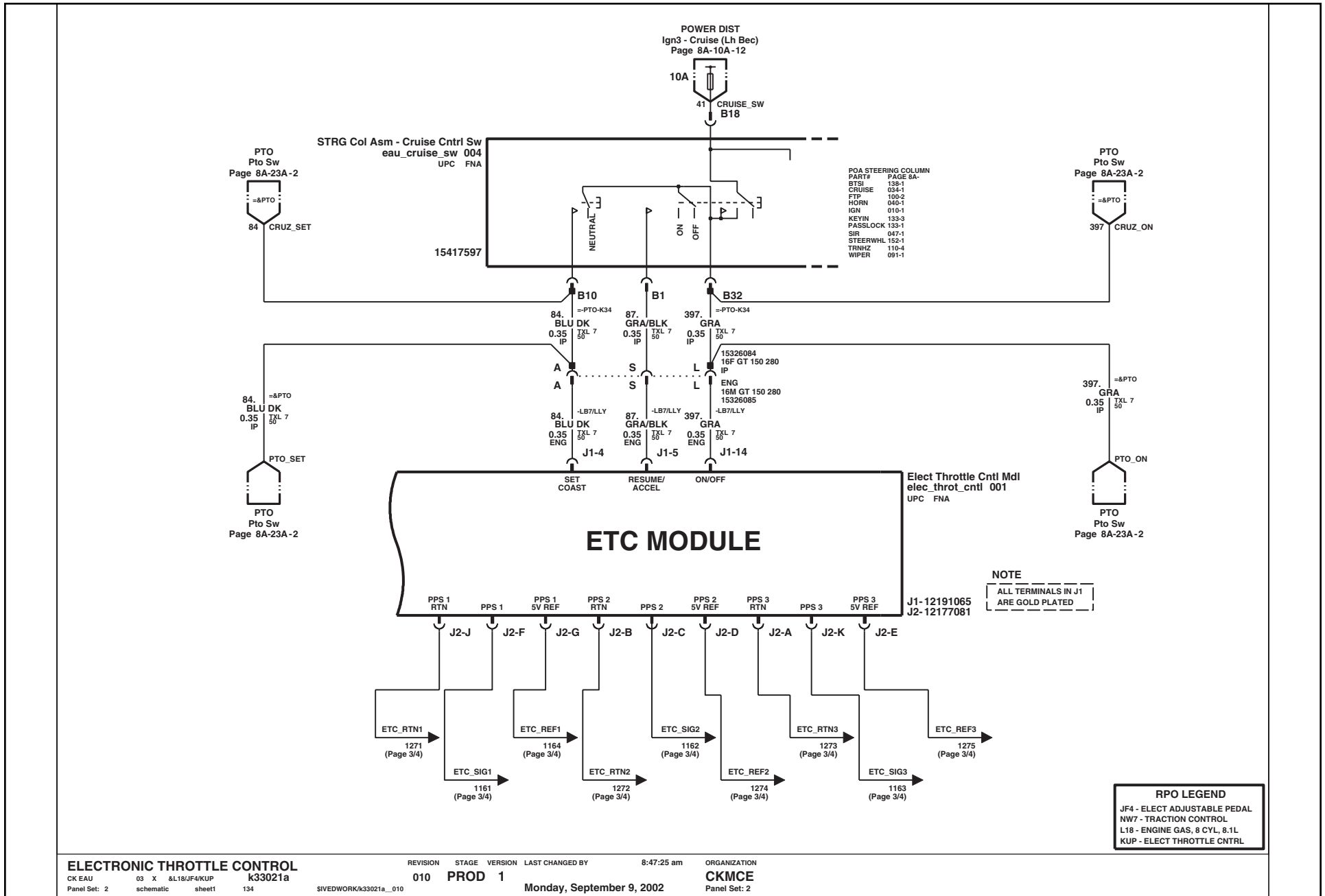
## Engine Controls: LLY – 6.6L Diesel



## Electronic Throttle Control

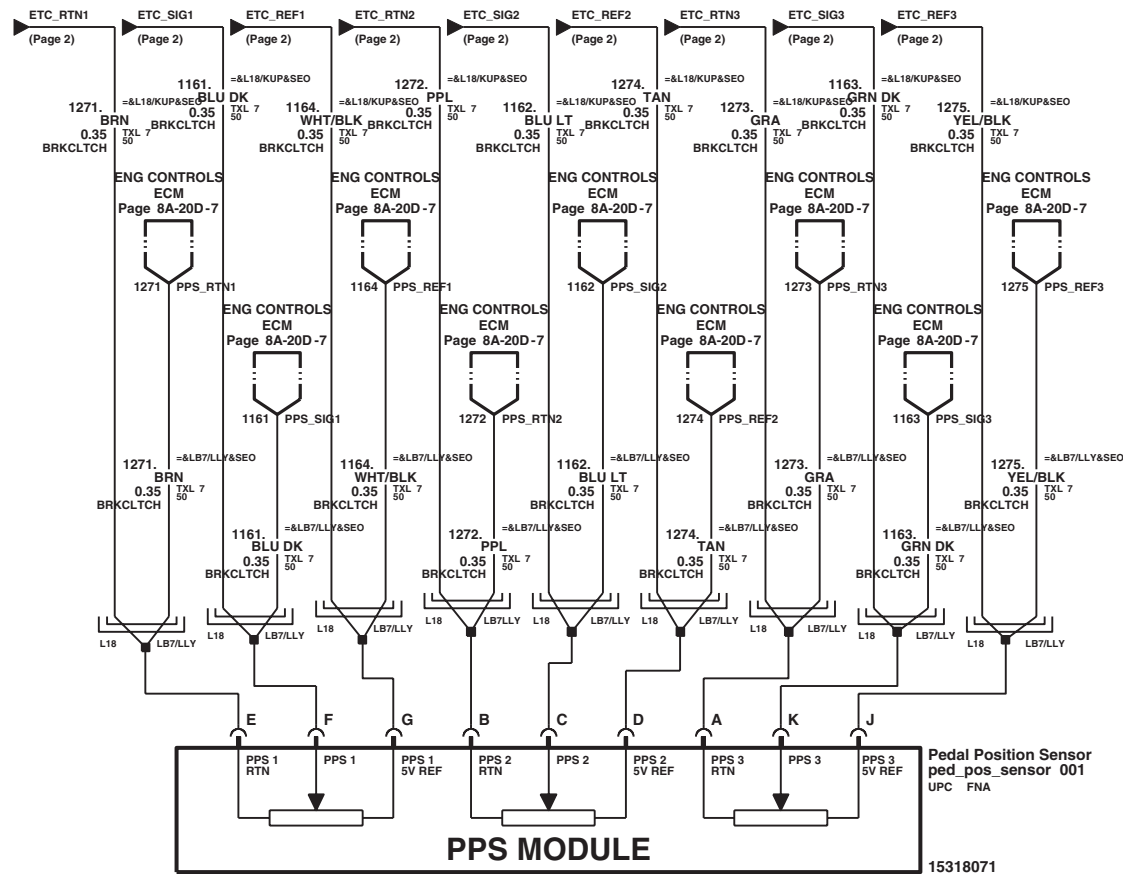


## Electronic Throttle Control



## Electronic Throttle Control

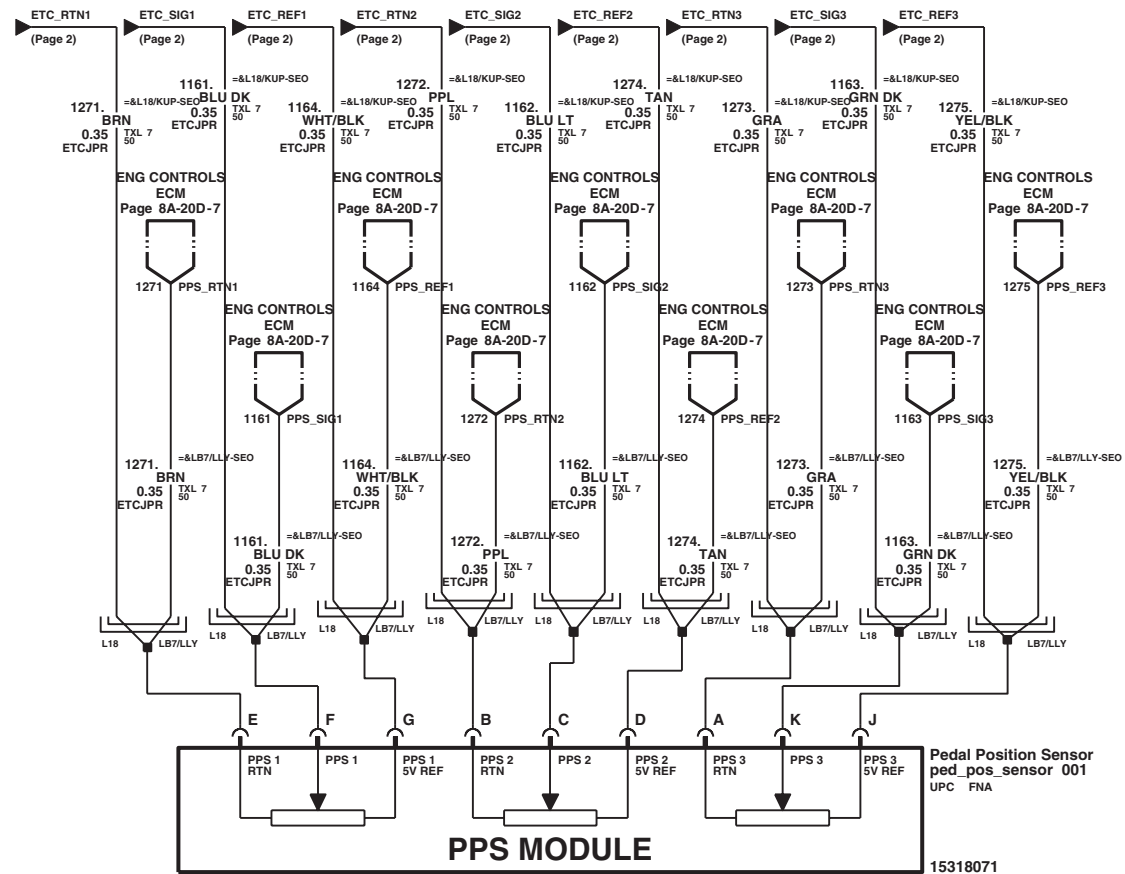
**NOTE:**  
THIS PAGE IS FOR SEO BRKCLTCH HARNESS



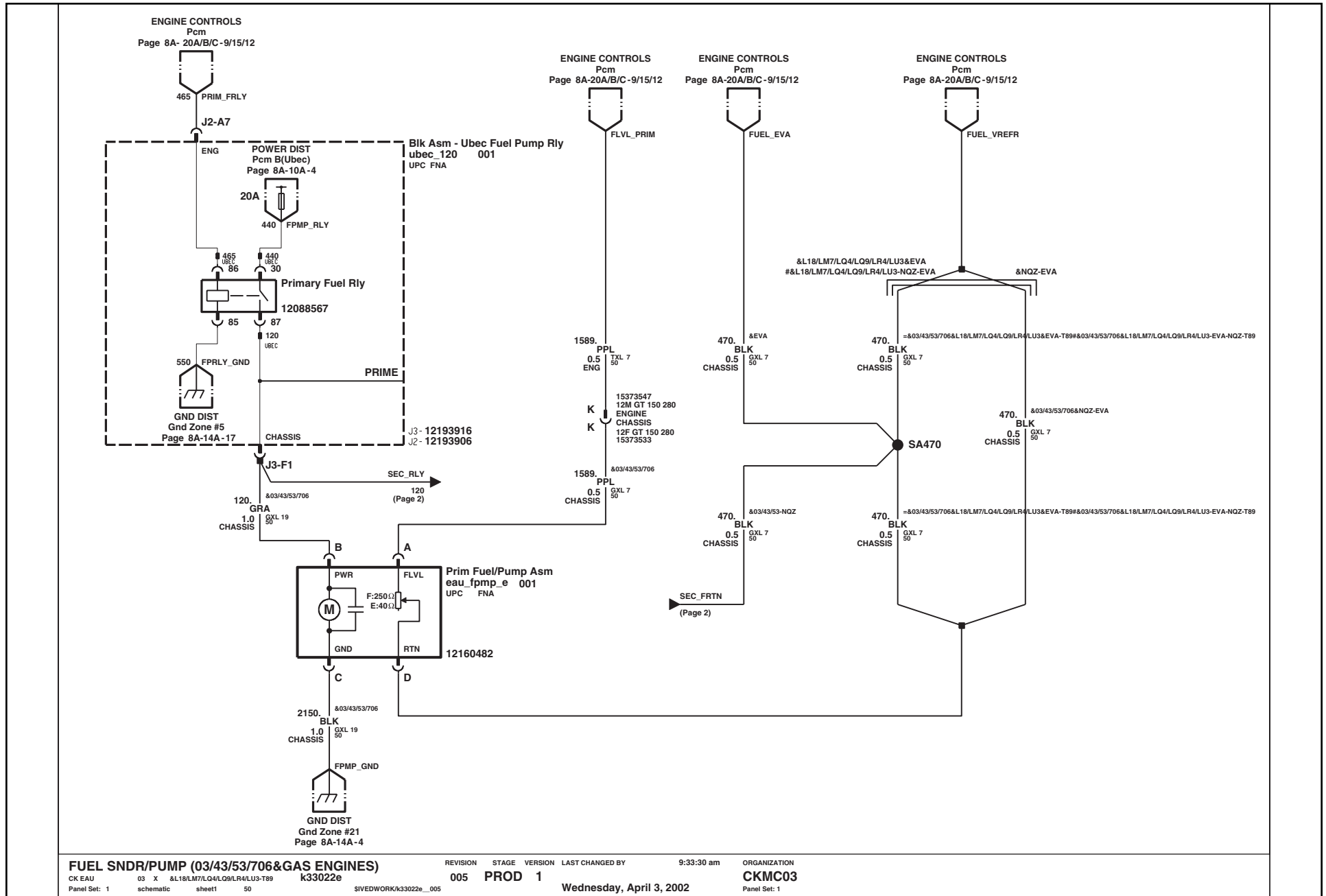


## Electronic Throttle Control

**NOTE:**  
THIS PAGE IS FOR ETCJPR  
HARNESS



## Fuel Sender/Pump: Gas Engines (03/43/53/706)



FUEL SNDR/PUMP (03/43/53/706&GAS ENGINES)

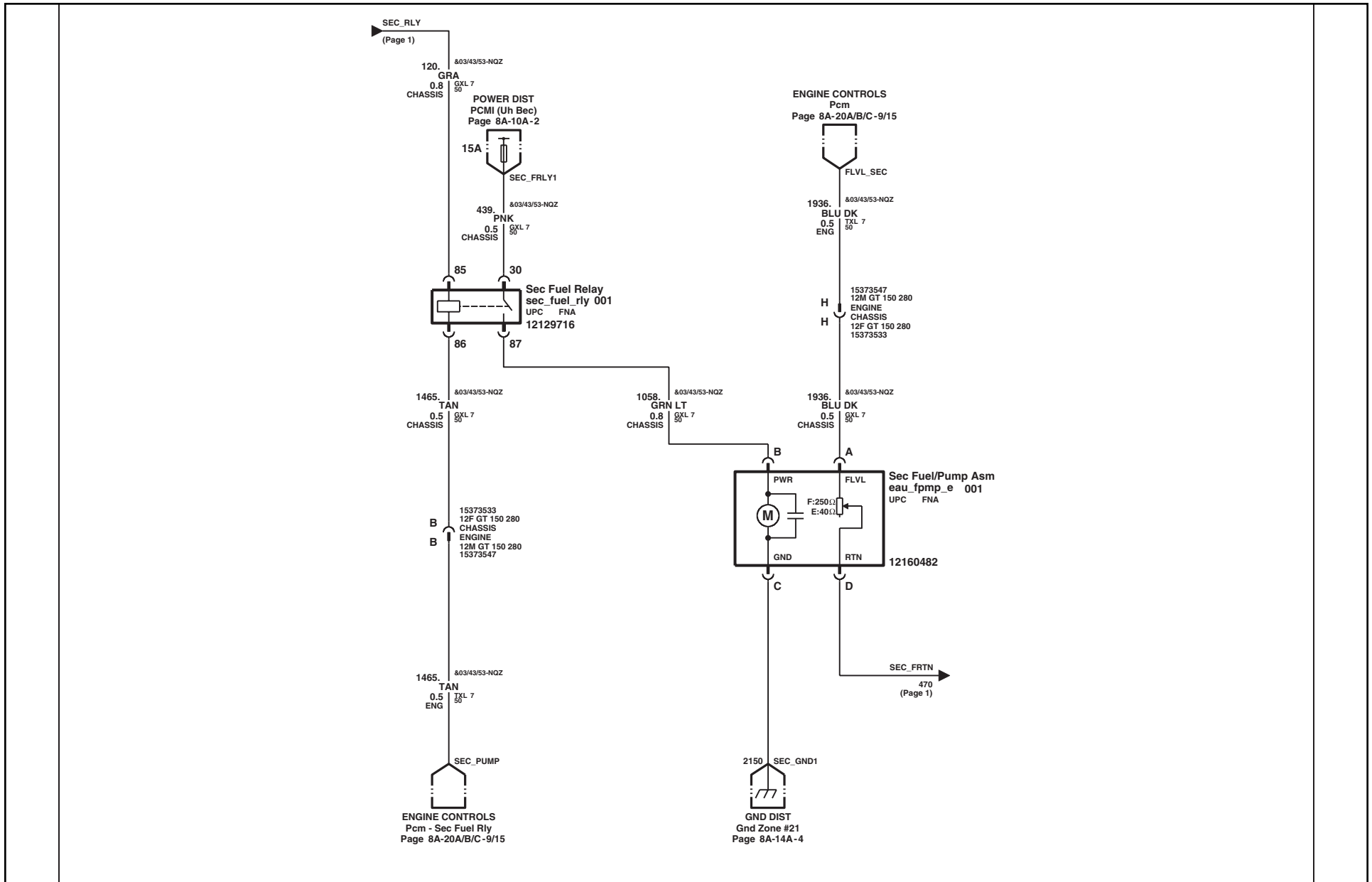
CK EAU 03 X &L18/LM7/LQ4/LQ9/LR4/LU3-T89 k33022e  
Panel Set: 1 schematic sheet1 50 SIVDWORK/k33022e\_005

REVISION STAGE VERSION LAST CHANGED BY 9:33:30 am ORGANIZATION

005 PROD 1 Wednesday, April 3, 2002 CKMC03

Panel Set: 1

## Fuel Sender/Pump: Gas Engines (03/43/53/706)



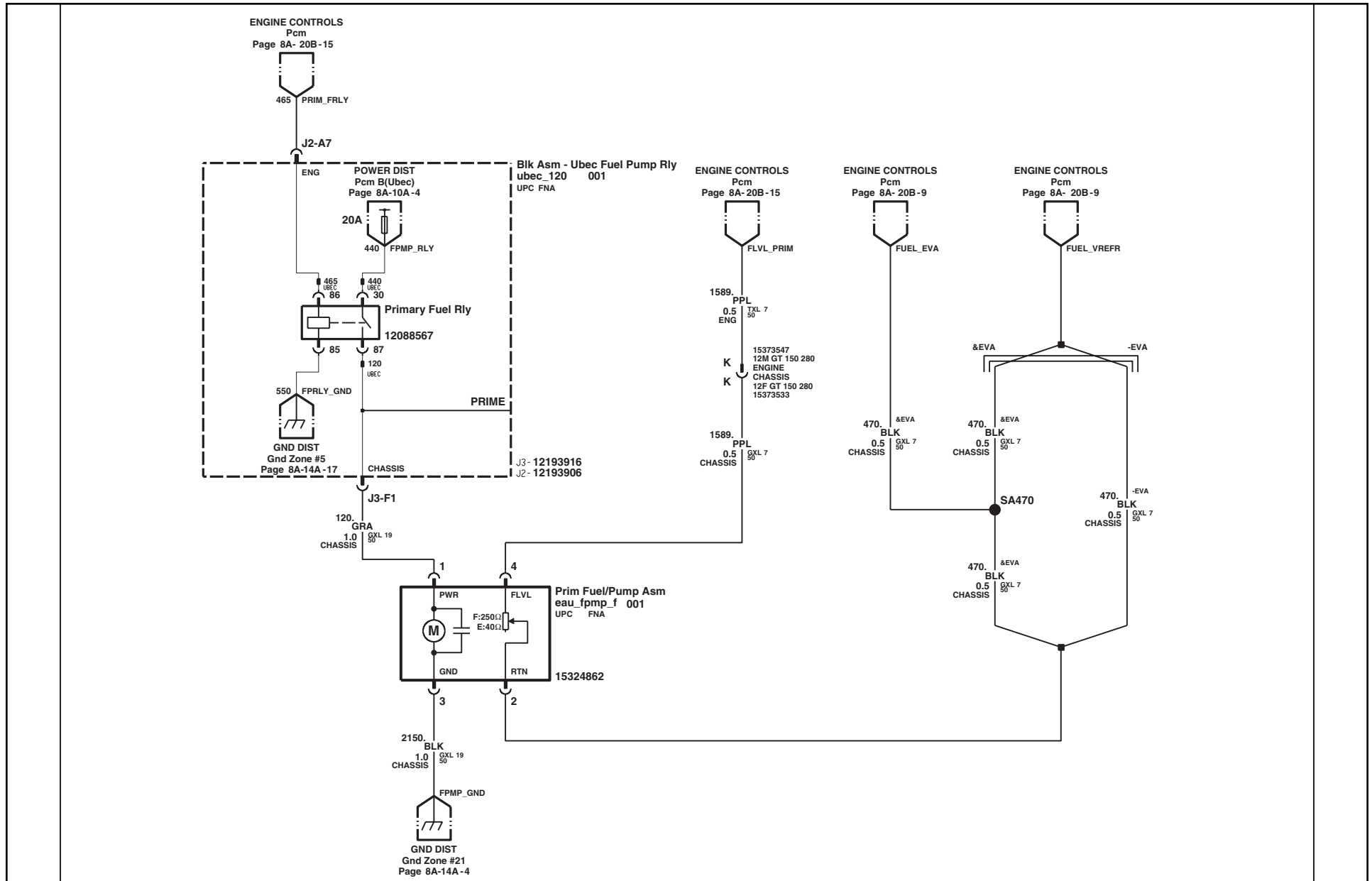
**FUEL SNDR/PUMP (03/43/53/706&GAS ENGINES)**

CK EAU 03 X &L18/M7/LQ4/LQ9/LR4/LU3-T89 k33022e  
 Panel Set: 2 schematic sheet1 50 SIVEDWORK/k33022e\_005

REVISION STAGE VERSION LAST CHANGED BY 9:33:30 am ORGANIZATION  
 005 PROD 1 Wednesday, April 3, 2002

CKMC03  
 Panel Set: 2

## Fuel Sender/Pump: Gas Engines (L59)

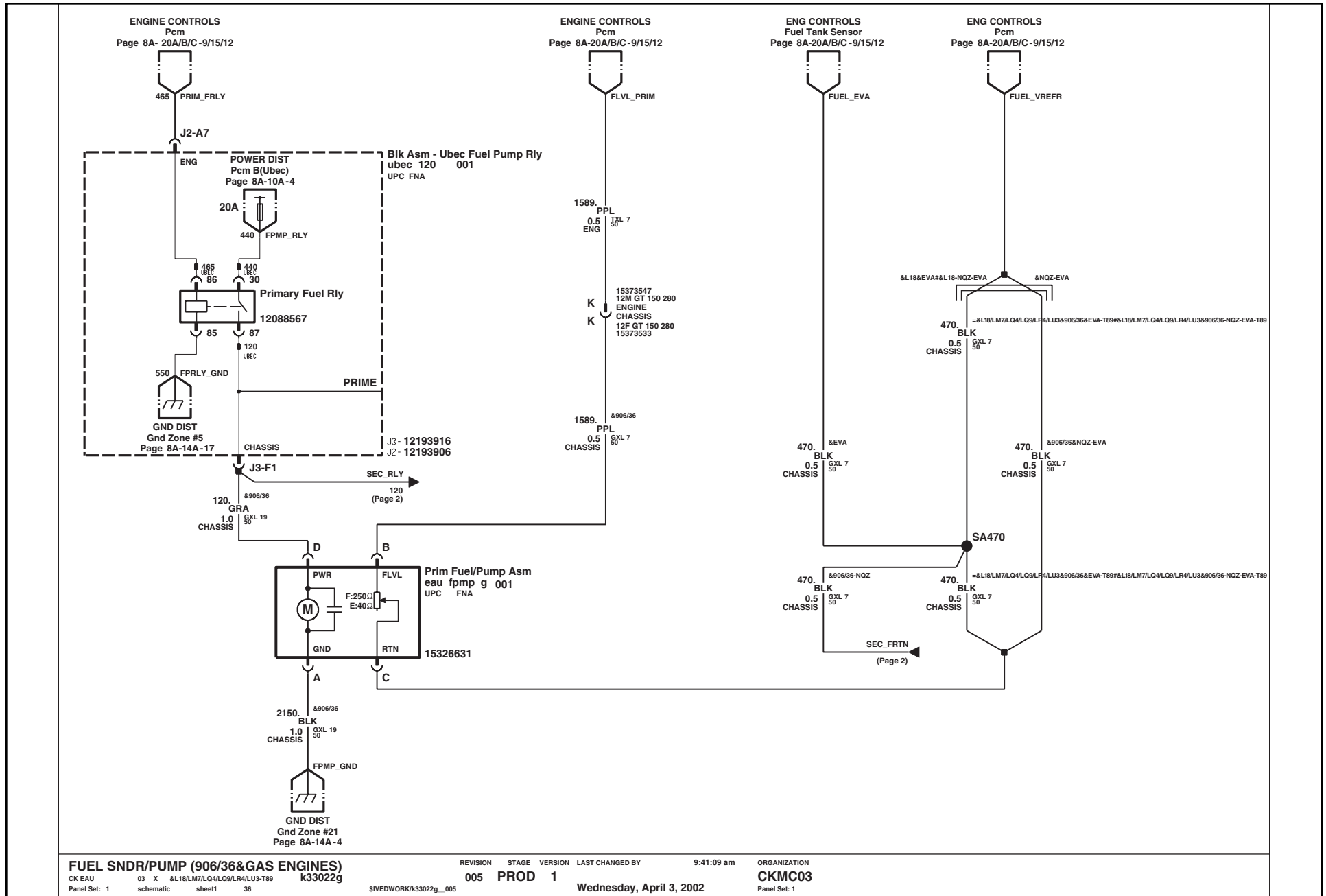


**FUEL SNDR/PUMP (L59 ENGINES)**  
 CK EAU 03 X &L59 k33022f  
 Panel Set: 1 schematic sheet1 36

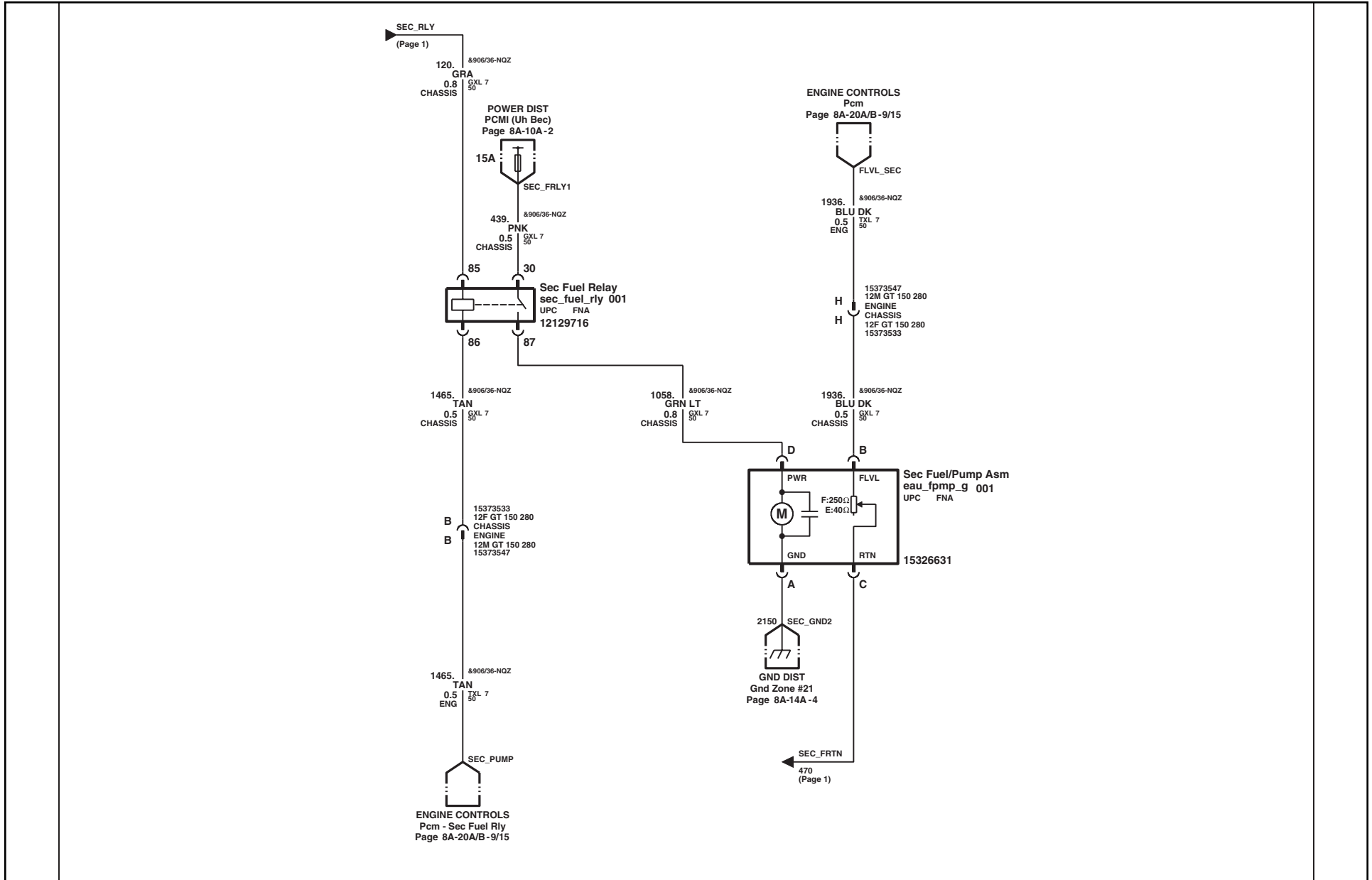
REVISION STAGE VERSION LAST CHANGED BY 10:15:37 am ORGANIZATION  
 005 PROD 1 Graeme Dobbs CKMC03  
 Wednesday, April 3, 2002 Panel Set: 1

# 2003 & BEYOND LIGHT DUTY C/K FULL-SIZE TRUCK ELECTRICAL

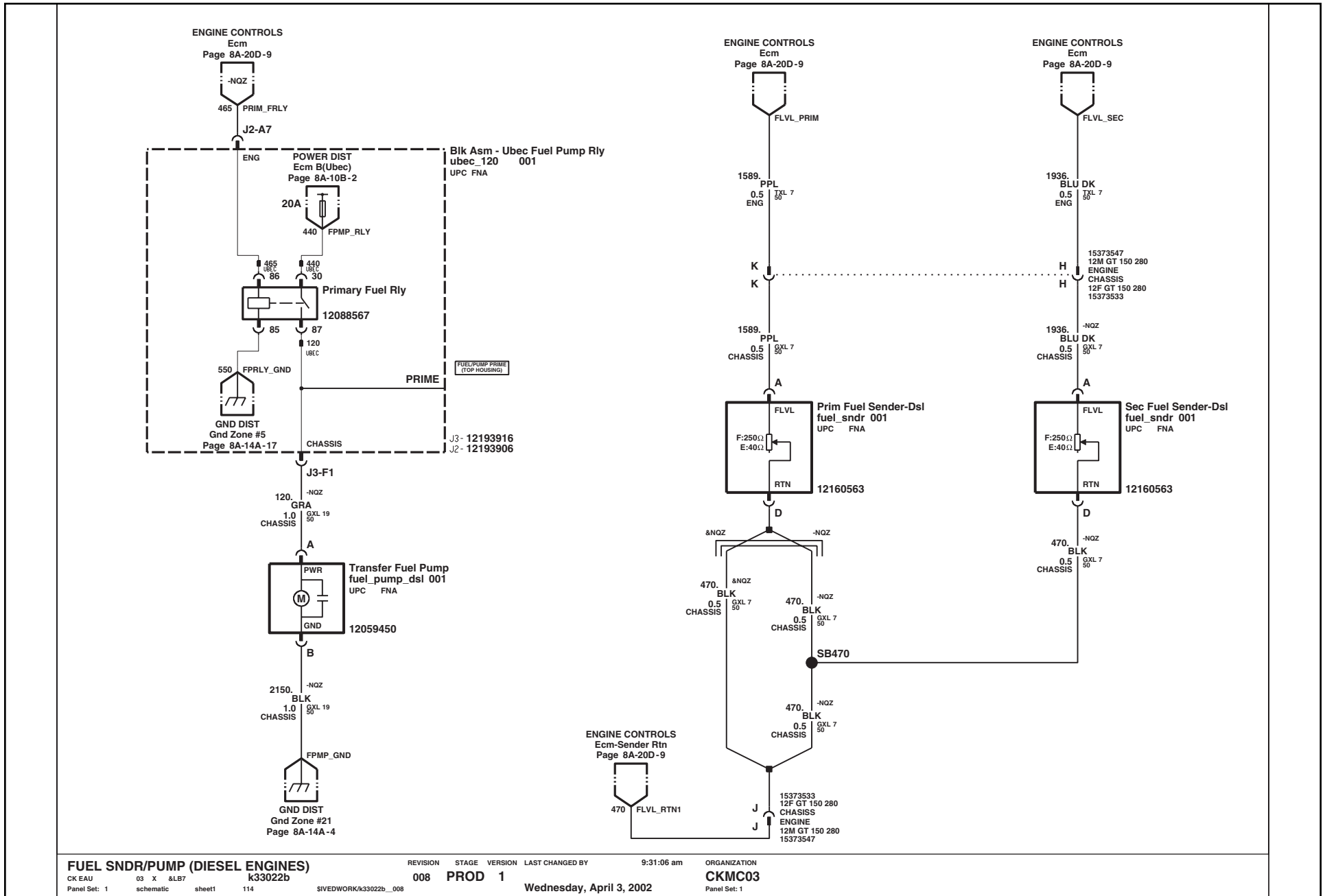
## Fuel Sender/Pump: Gas Engines (906/36)



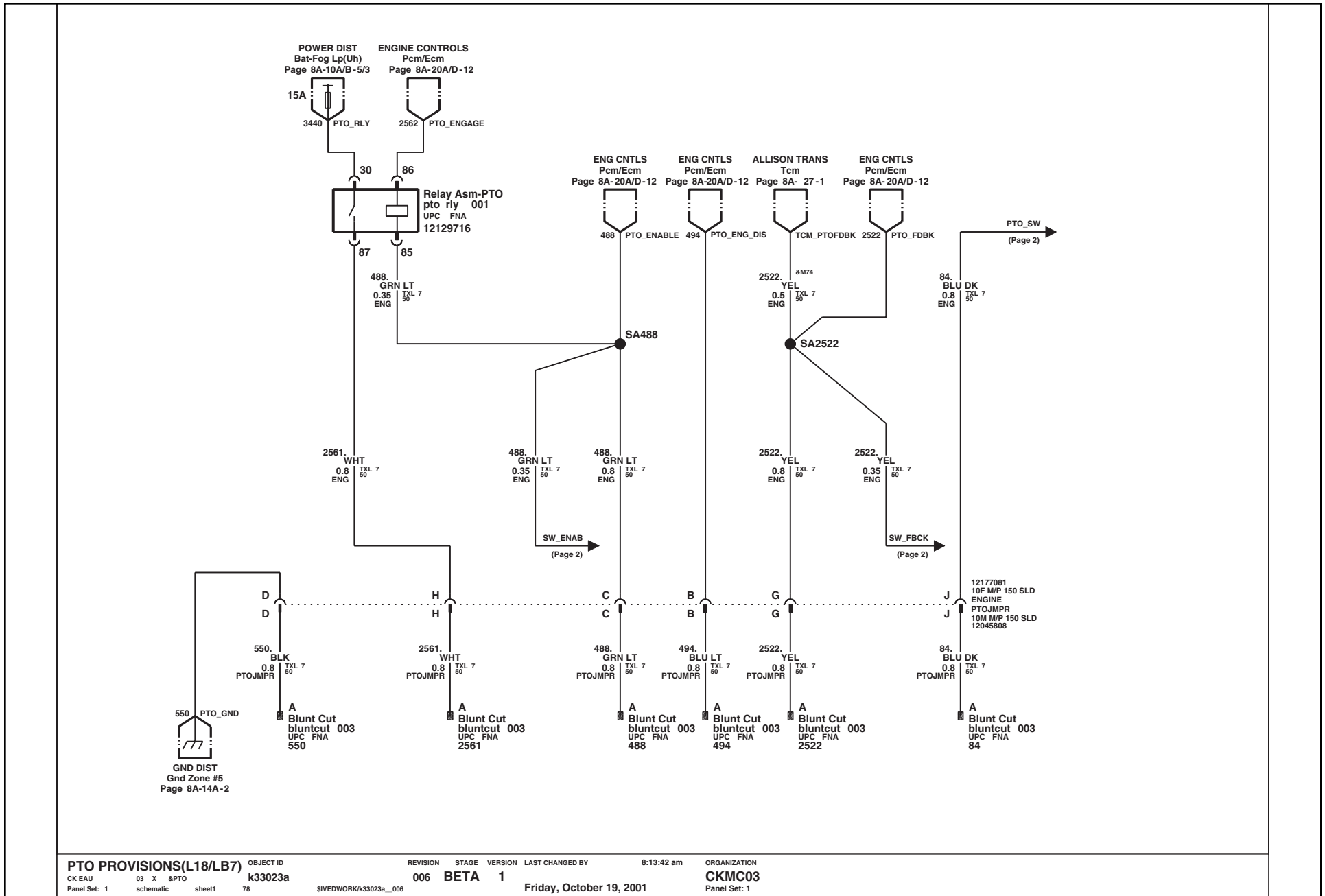
## Fuel Sender/Pump: Gas Engines (906/36)



## Fuel Sender/Pump: Diesel Engines

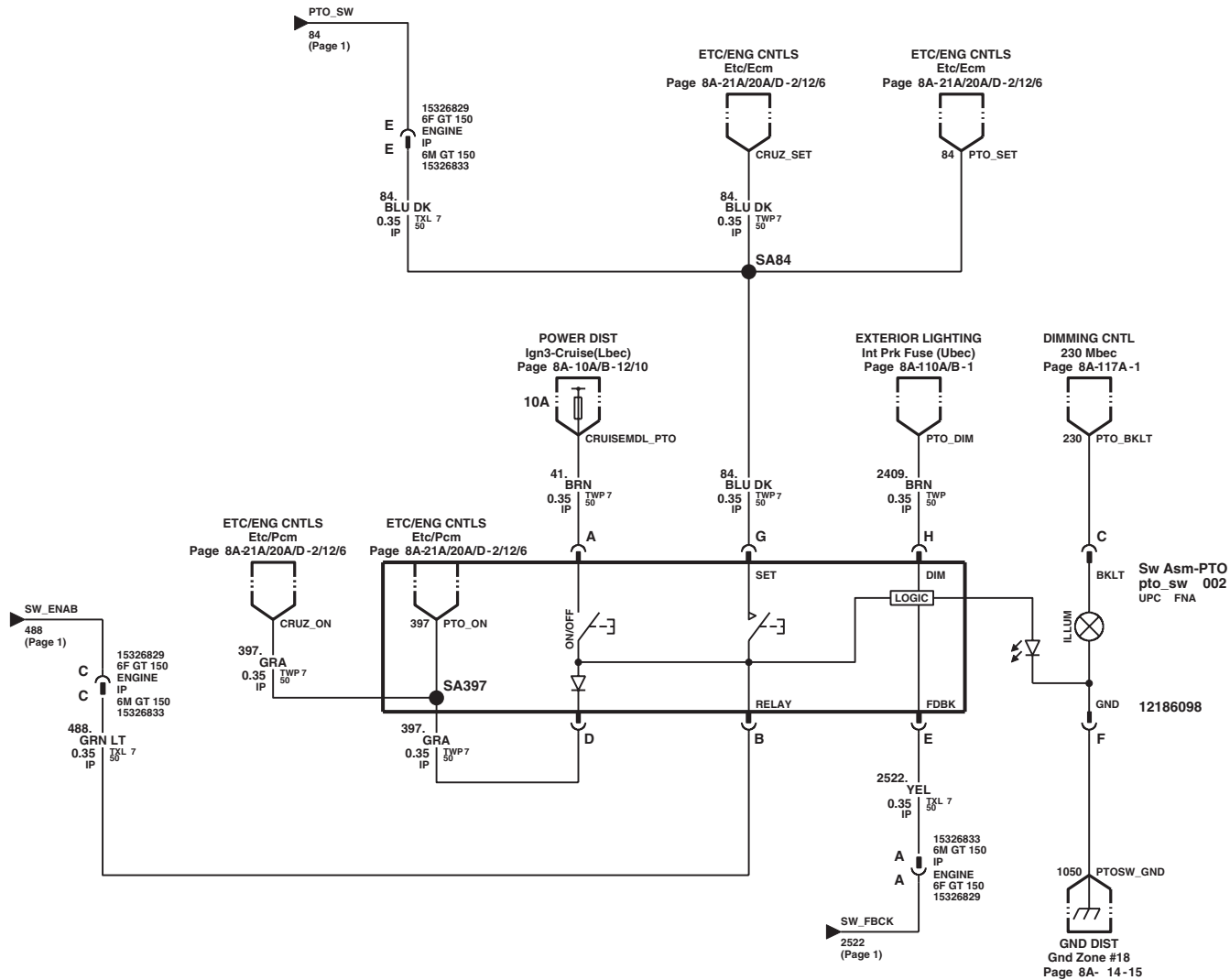


## Power Take Off Provisions (L18/LB7)





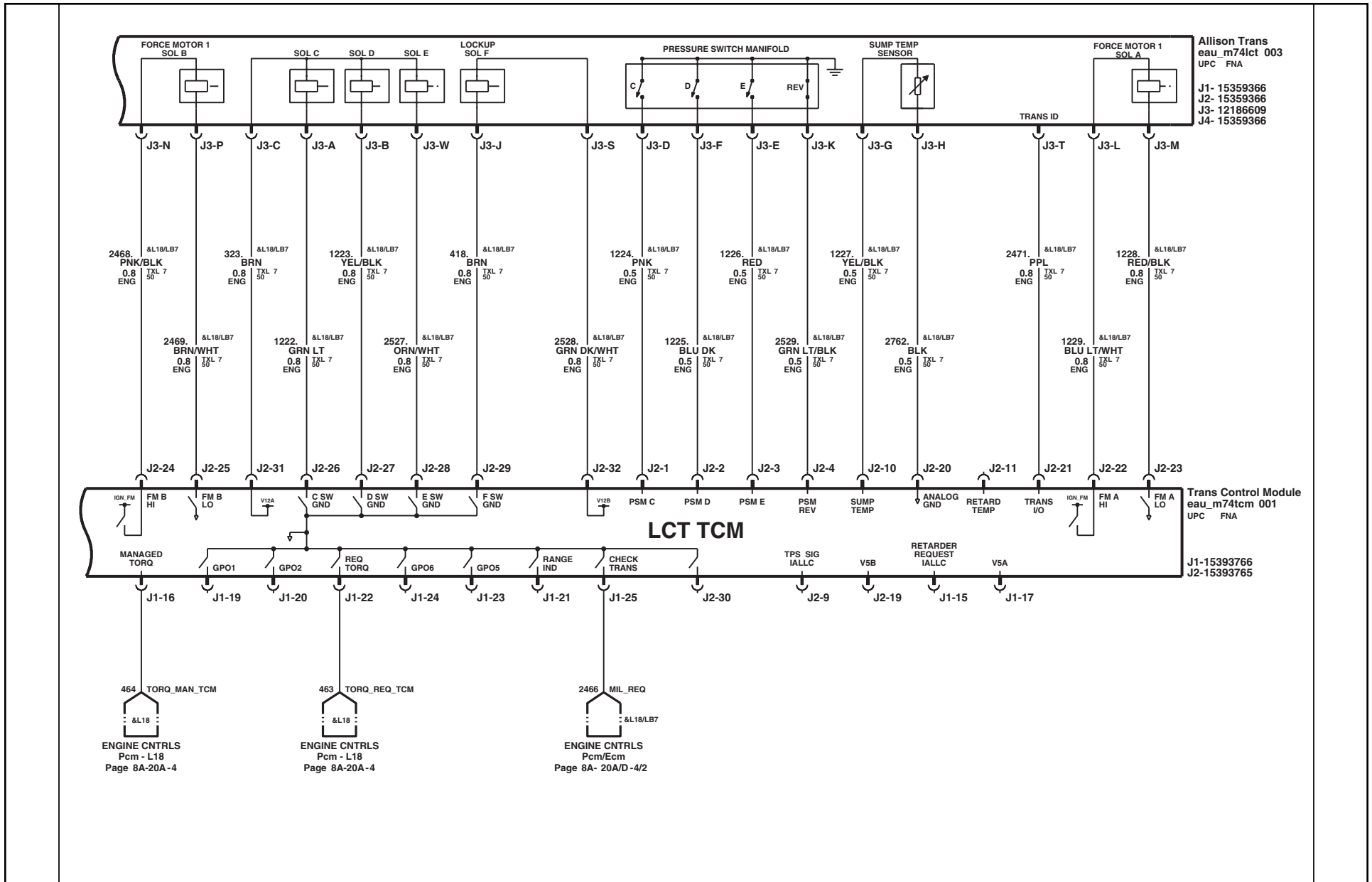
## Power Take Off Provisions (L18/LB7)





# 2003 & BEYOND LIGHT DUTY C/K FULL-SIZE TRUCK ELECTRICAL

## LCT Transmission (L18/LB7/M74)



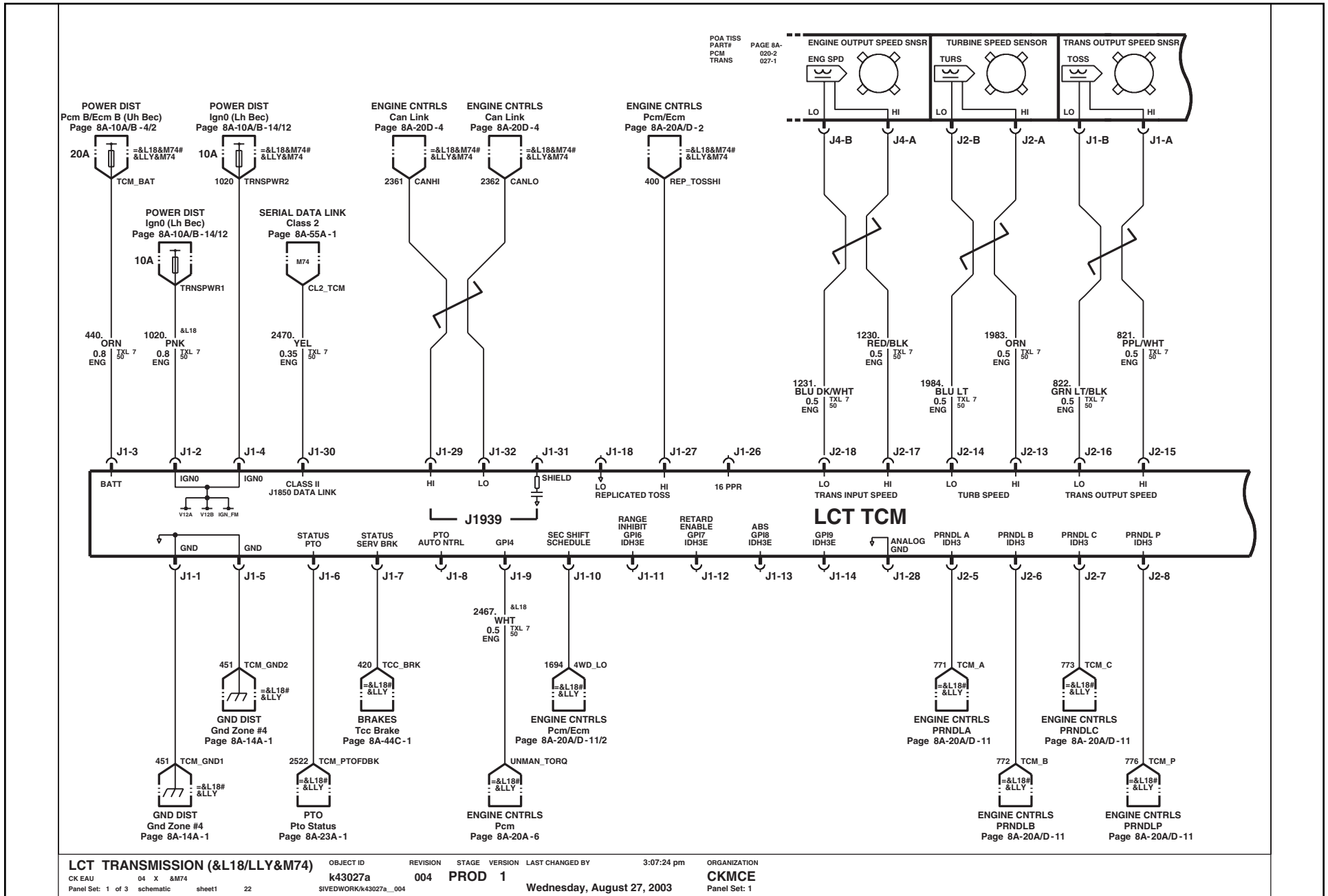
LCT TRANSMISSION (&L18/LB7&M74)

CK EAU 03 X &M74 k33027a  
Panel Set: 2 schematic sheet1 123 SIVEDWORK/k33027a\_007

REVISION 007 STAGE PROD 1 VERSION 1 LAST CHANGED BY Friday, July 19, 2002

12:11:04 pm ORGANIZATION CKMC03  
Panel Set: 2

## LCT Transmission (L18/LLY/M74)



LCT TRANSMISSION (&L18/LLY&M74)

CK EAU 04 X &M74 Panel Set: 1 of 3 schematic sheet1 22

OBJECT ID k43027a SIVEDWORK/k43027a\_004

REVISION 004 STAGE PROD 1

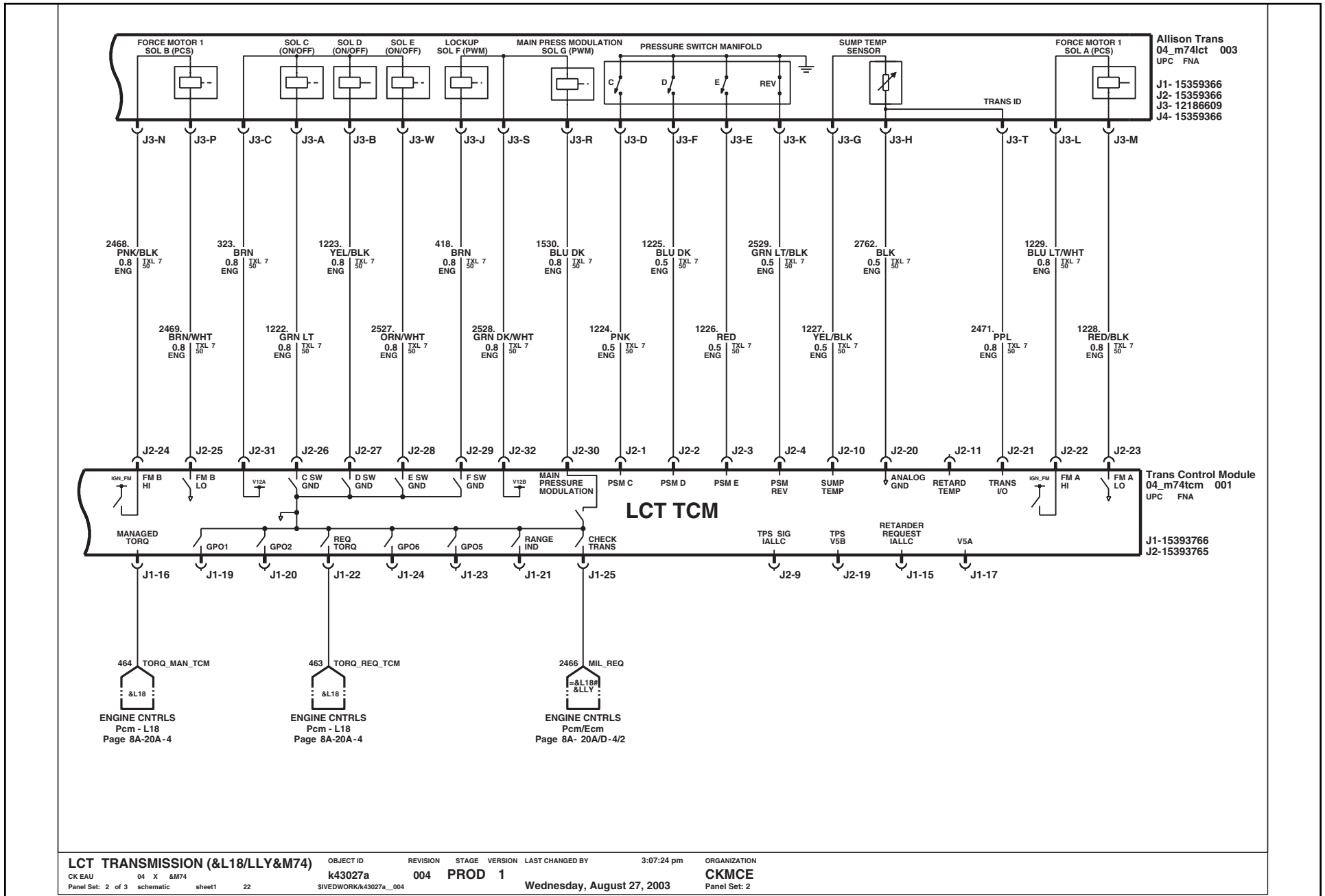
LAST CHANGED BY 3:07:24 pm

ORGANIZATION CKMCE Panel Set: 1

Wednesday, August 27, 2003

# 2003 & BEYOND LIGHT DUTY C/K FULL-SIZE TRUCK ELECTRICAL

## LCT Transmission (L18/LLY/M74)



LCT TRANSMISSION (&L18/LLY&M74)

CK EAU 04 X &M74  
Panel Set: 2 of 3 schematic sheet1 22

OBJECT ID

k43027a  
SIVEDWORK/k43027a\_004

REVISION

004

PROD 1

STAGE

Wednesday, August 27, 2003

LAST CHANGED BY

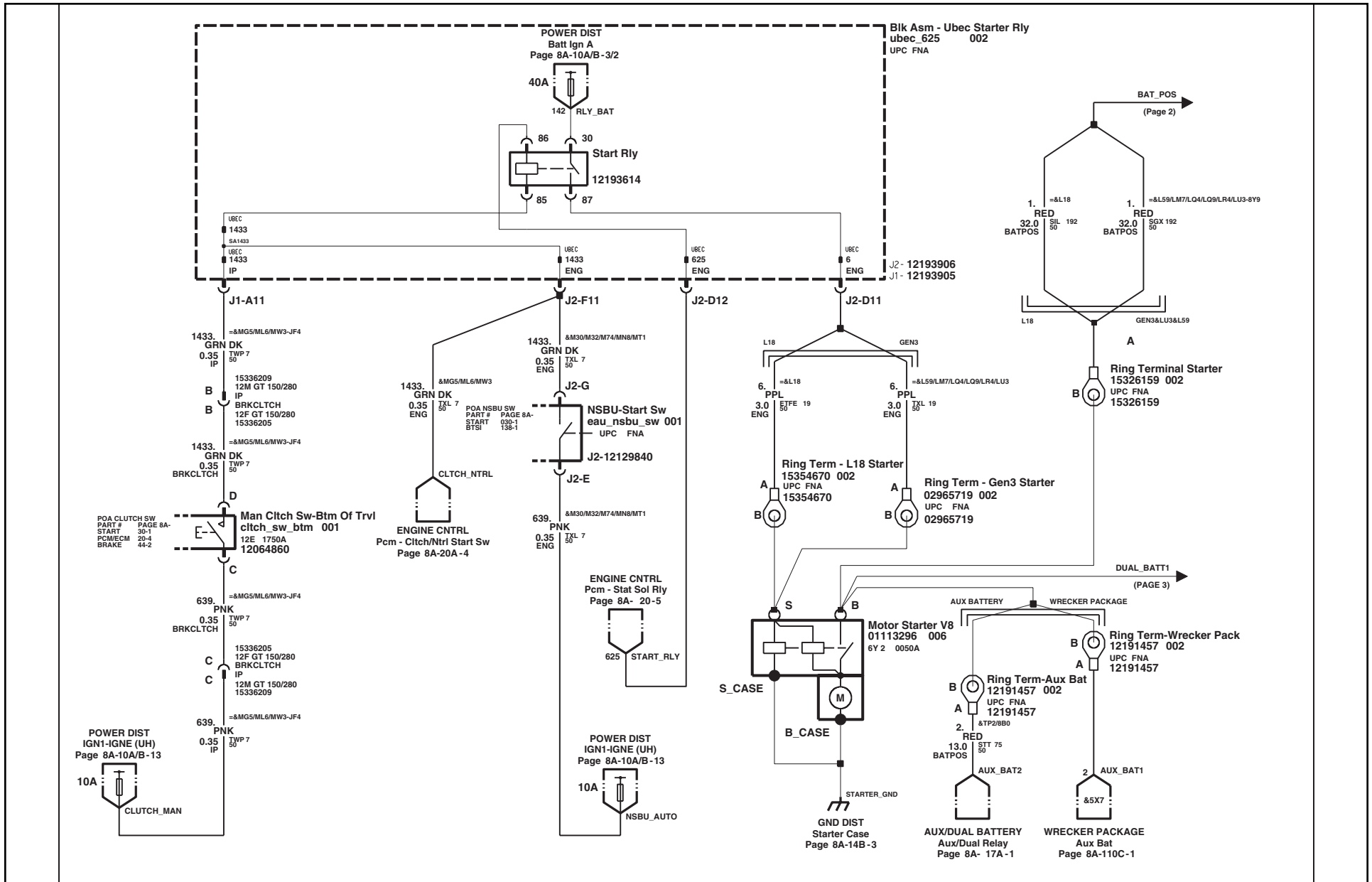
3:07:24 pm

ORGANIZATION

CKMCE

Panel Set: 2

## Starting and Charging: Gas

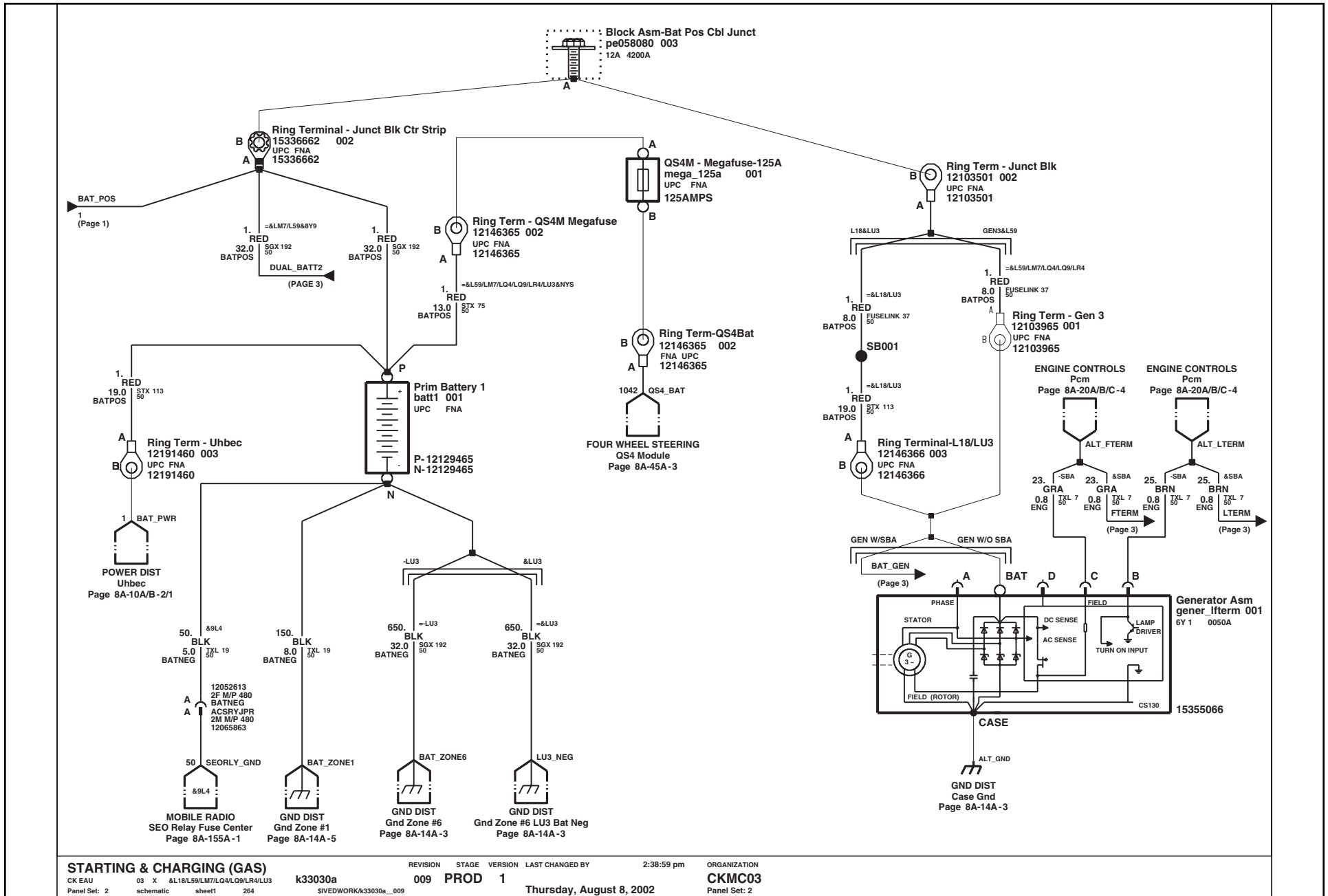


**STARTING & CHARGING (GAS)**  
 CK EAU 03 X &L18/L59/LM7/LQ4/LQ9/LR4/LU3 k33030a  
 Panel Set: 1 schematic sheet1 264 SIVEDWORK/k33030a\_009

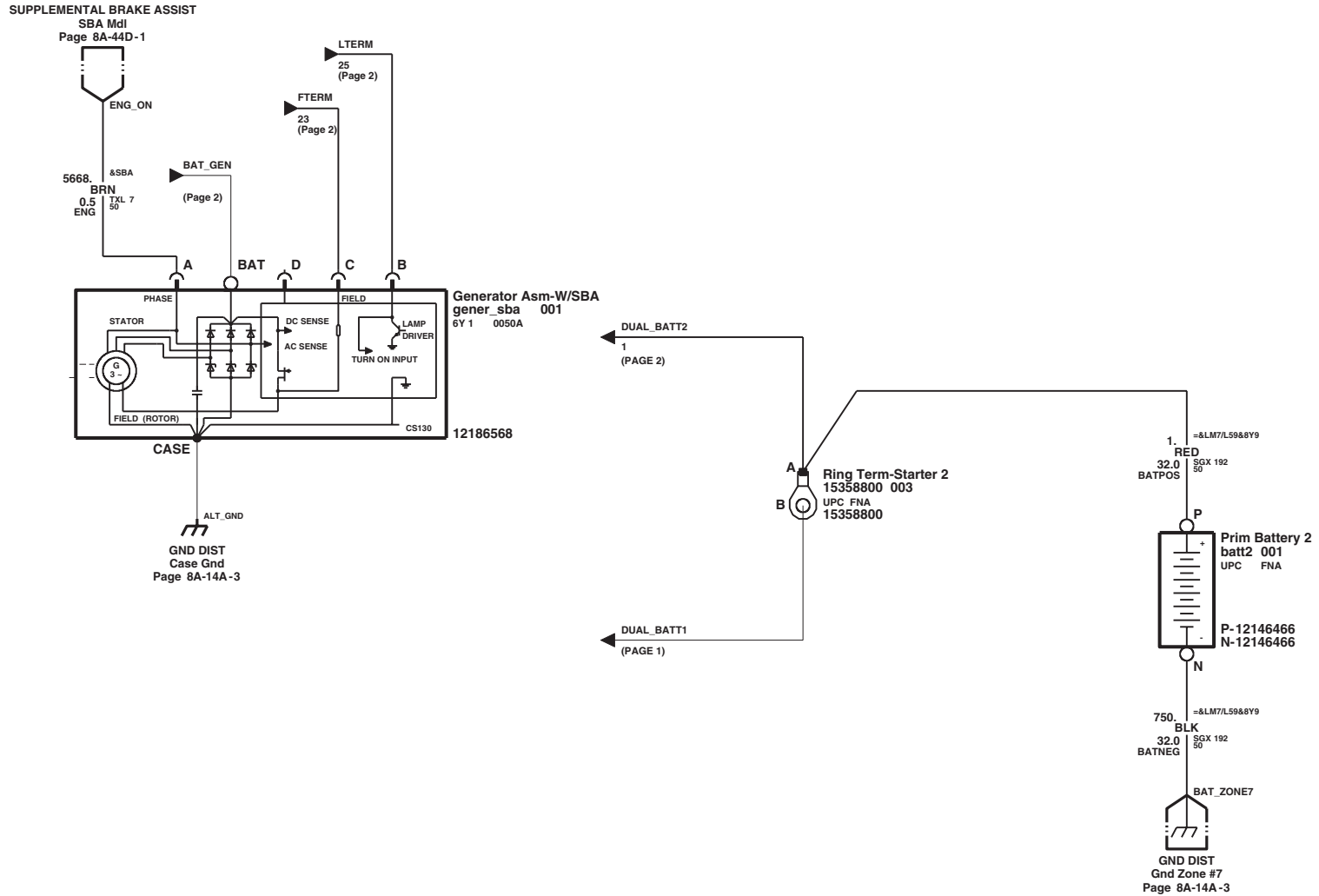
REVISION STAGE VERSION LAST CHANGED BY 2:38:59 pm  
 009 PROD 1 Thursday, August 8, 2002

ORGANIZATION  
 CKMC03  
 Panel Set: 1

## Starting and Charging: Gas



## Starting and Charging: Gas



**STARTING & CHARGING (GAS)**

CK EAU 03 X &L18/L59/LM7/LG4/LQ9/LR4/LU3 k33030a

REVISION STAGE VERSION LAST CHANGED BY

2:38:59 pm

ORGANIZATION  
CKMC03

Panel Set: 3 schematic sheet1 264

SIVEDWORK/k33030a\_009

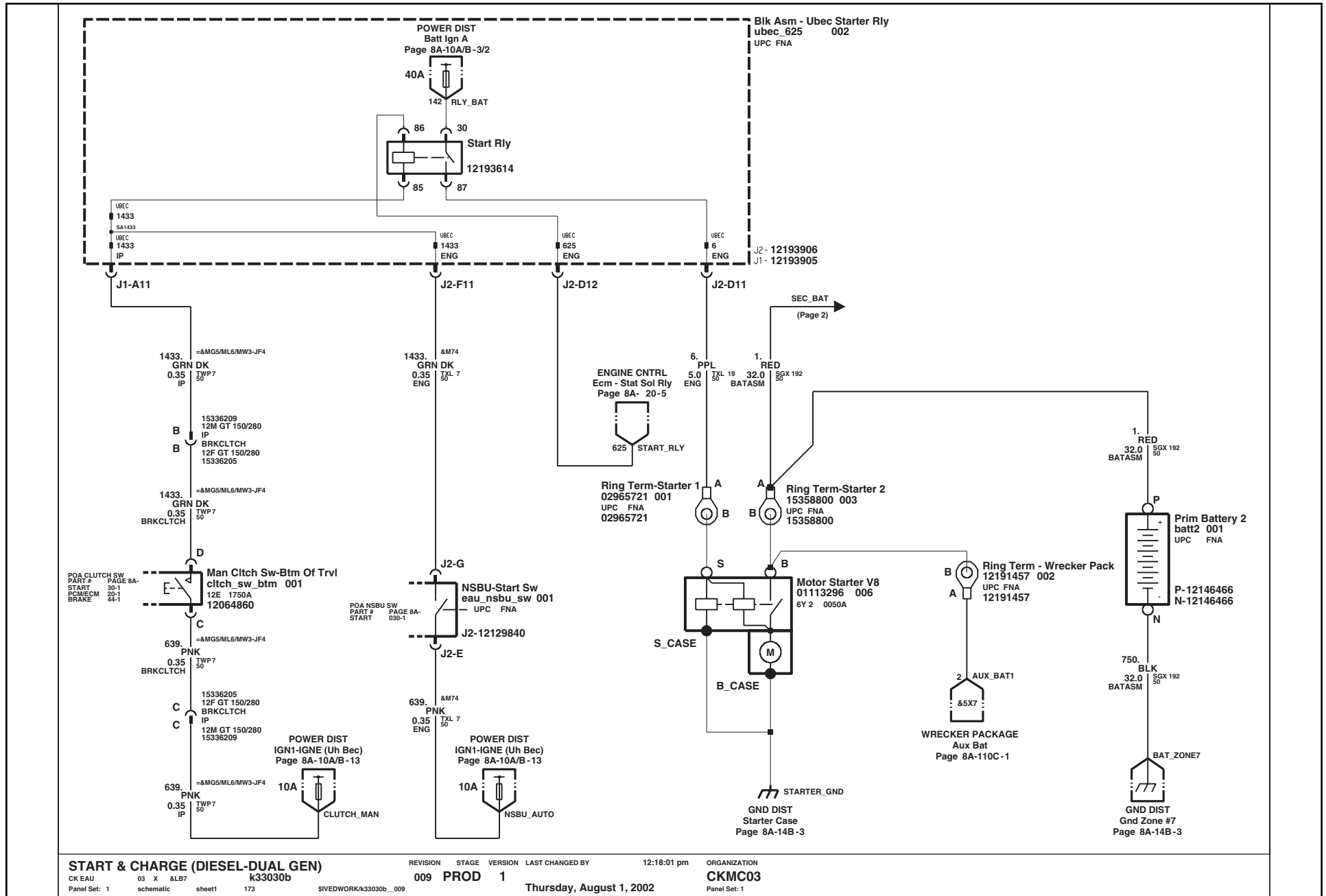
009 PROD 1

Thursday, August 8, 2002

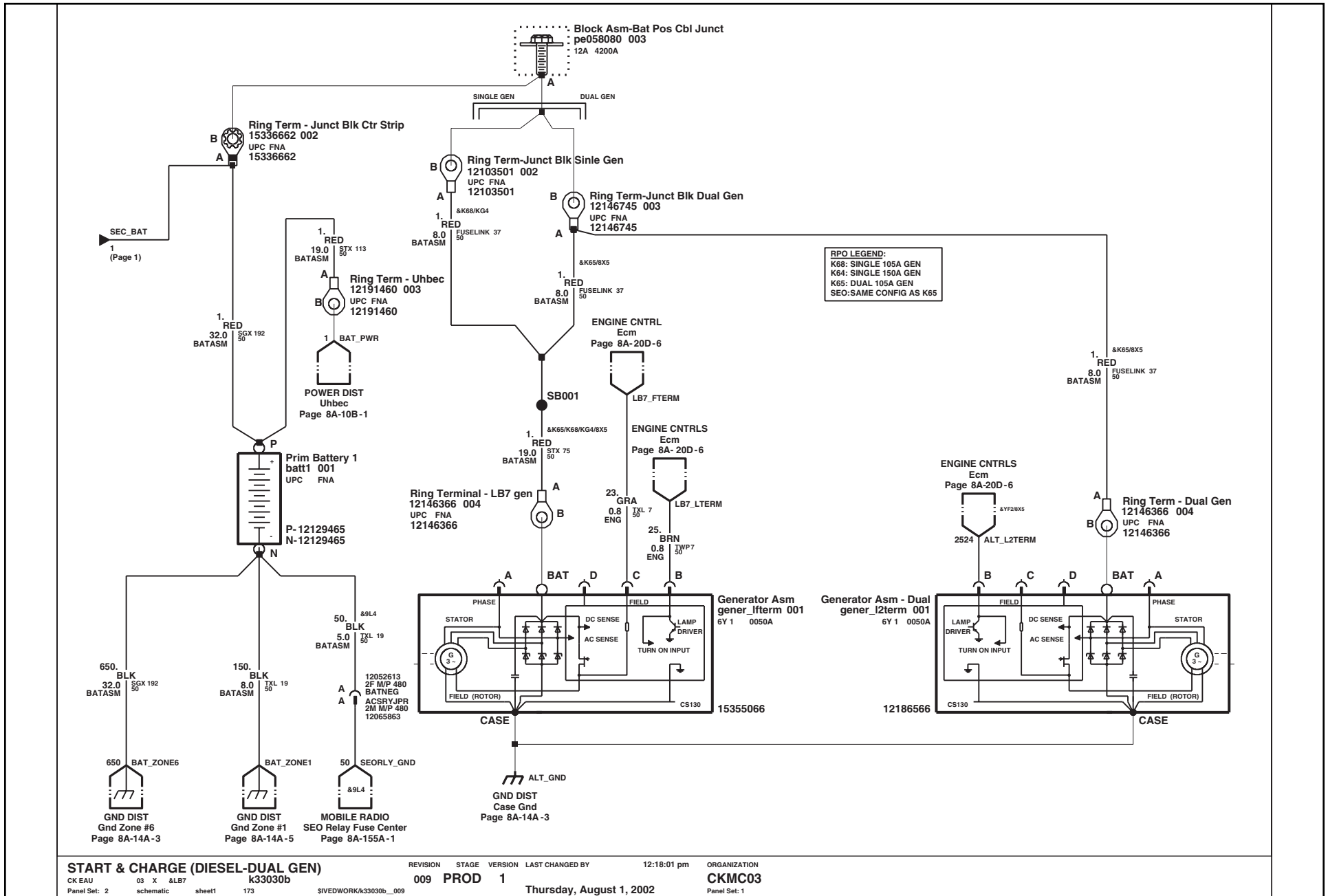
Panel Set: 3



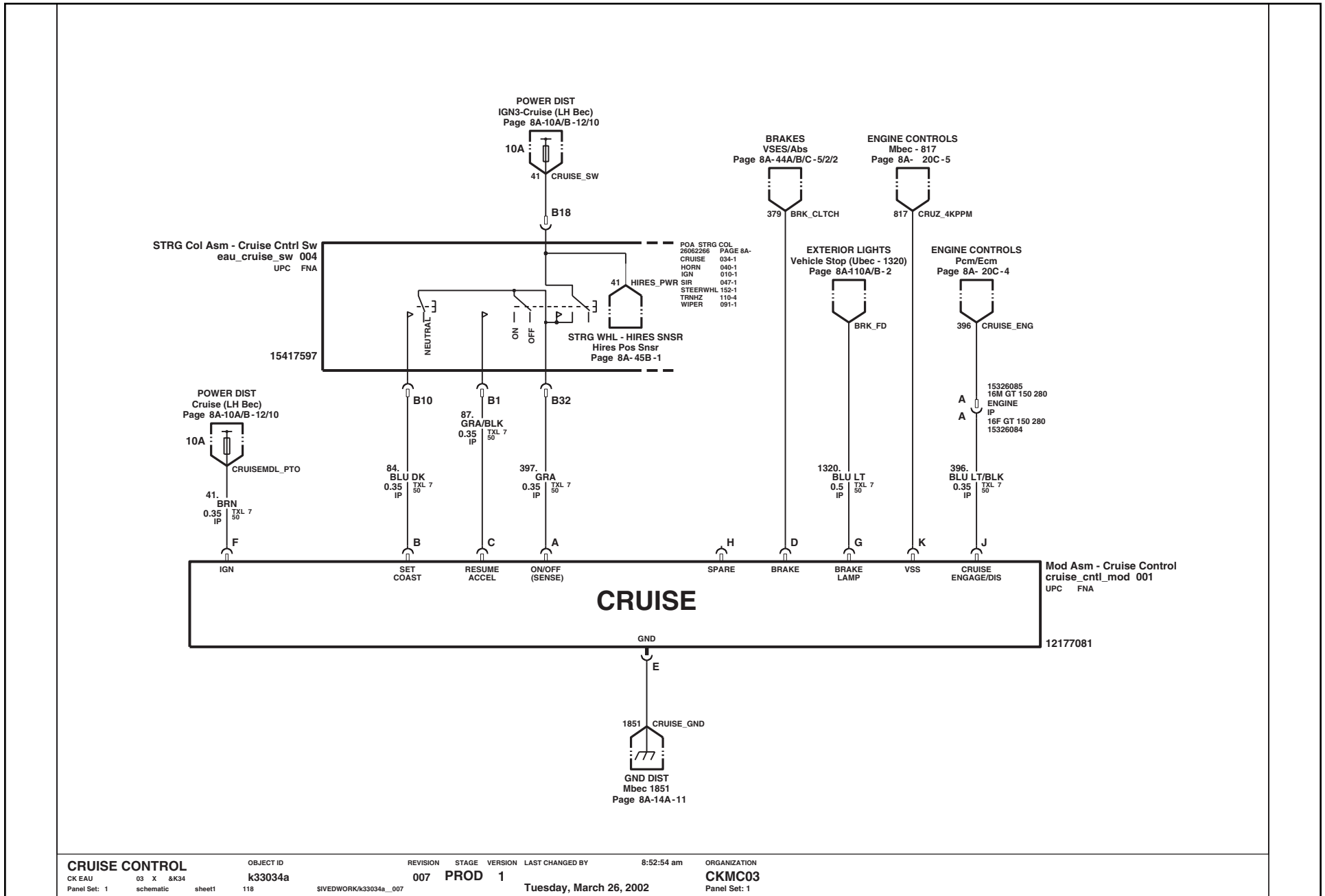
## Starting and Charging: Diesel-Dual Gen



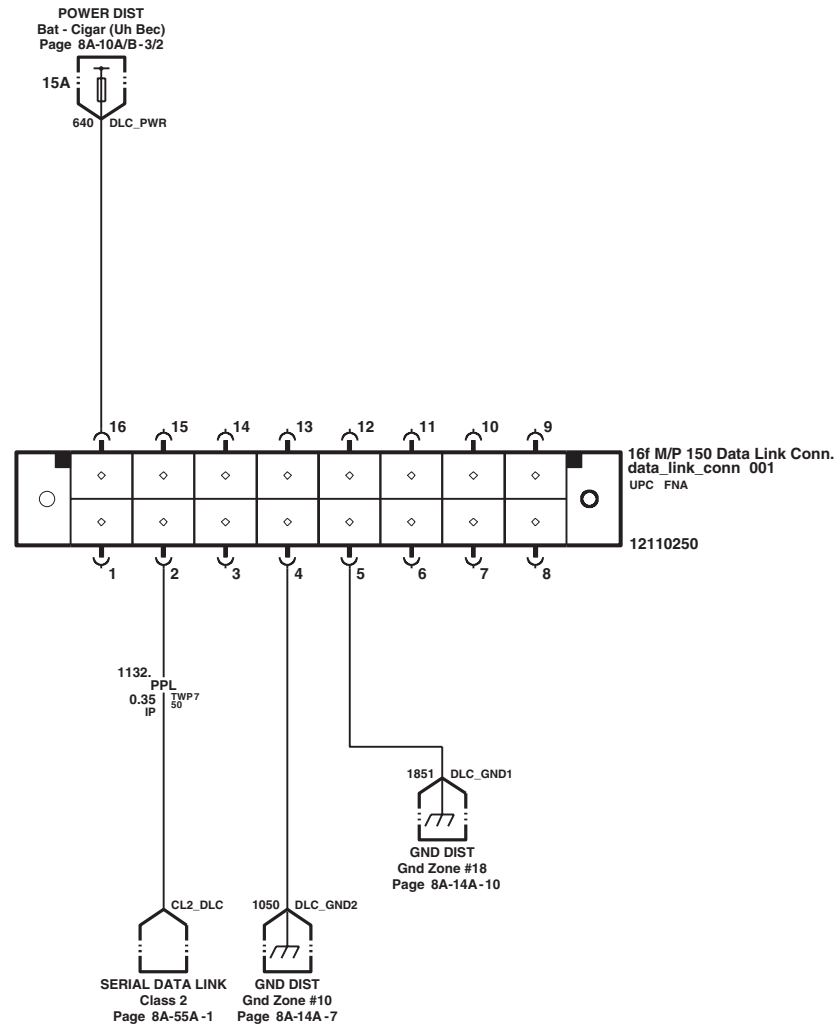
## Starting and Charging: Diesel-Dual Gen



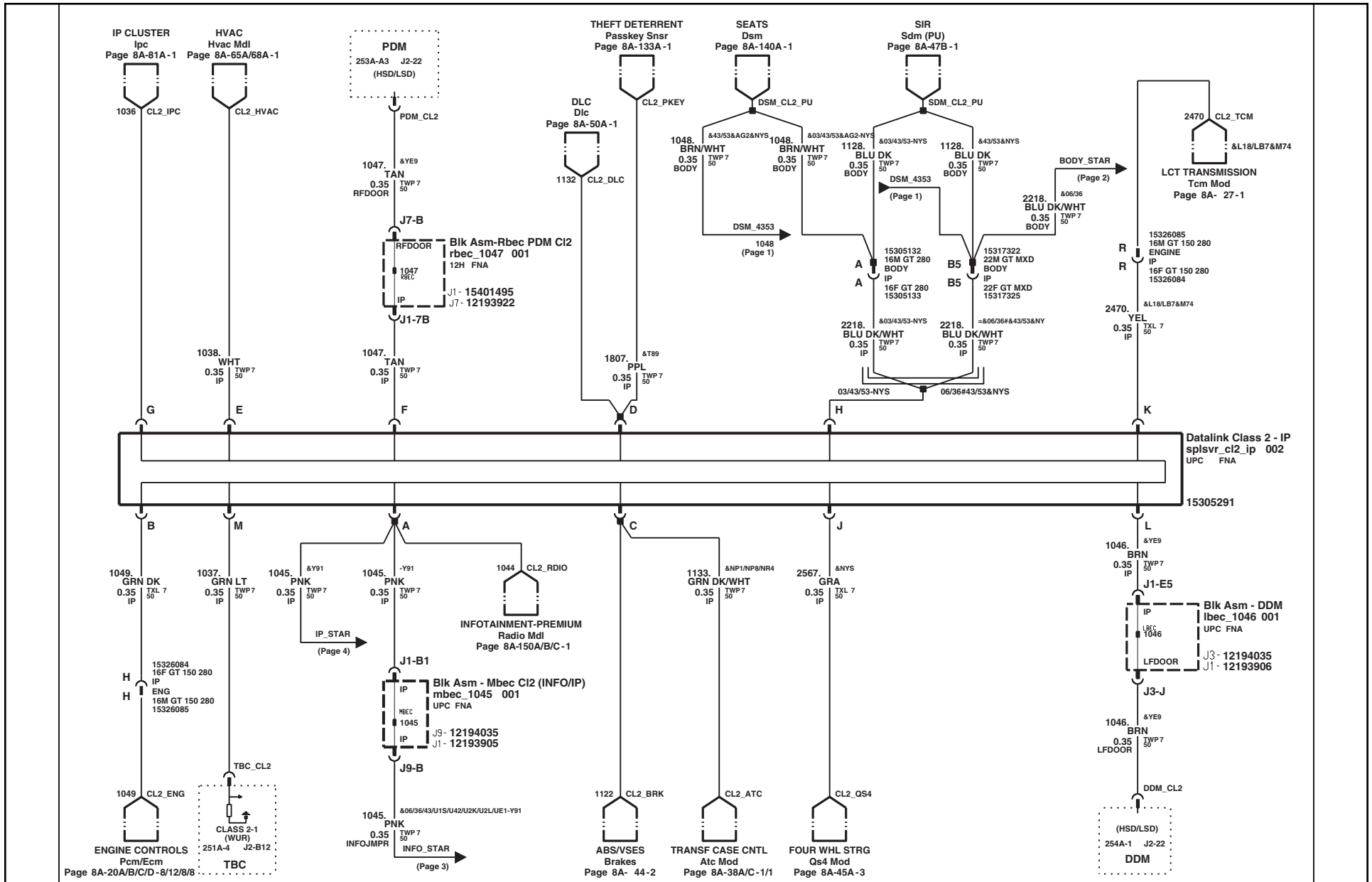
## Cruise Control



## Serial Data: Data Link Connector (DLC)



## Serial Data: Serial Data Link (Class II)



**SERIAL DATA LINK (CLASS II)**

CK EAU 03 X  
Panel Set: 1 schematic sheet1 254

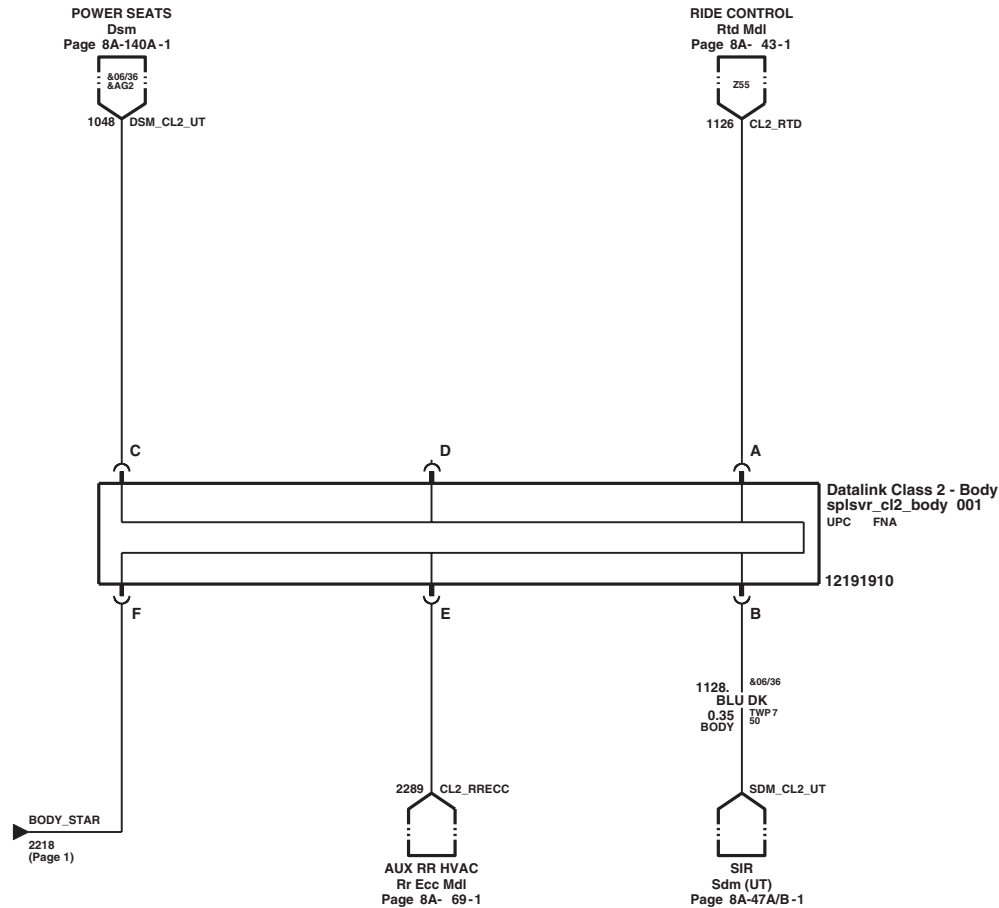
OBJECT ID  
k33055a

REVISION 009  
STAGE PROD  
VERSION 1  
LAST CHANGED BY SIVEDWORK/k33055a\_009

2:56:24 pm  
ORGANIZATION CKMCE  
Panel Set: 1

Monday, September 9, 2002

## Serial Data: Serial Data Link (Class II)



**SERIAL DATA LINK (CLASS II)**

CK EAU 03 X  
Panel Set: 2 schematic sheet1 254

OBJECT ID  
k33055a

SIVEDWORK/k33055a\_009

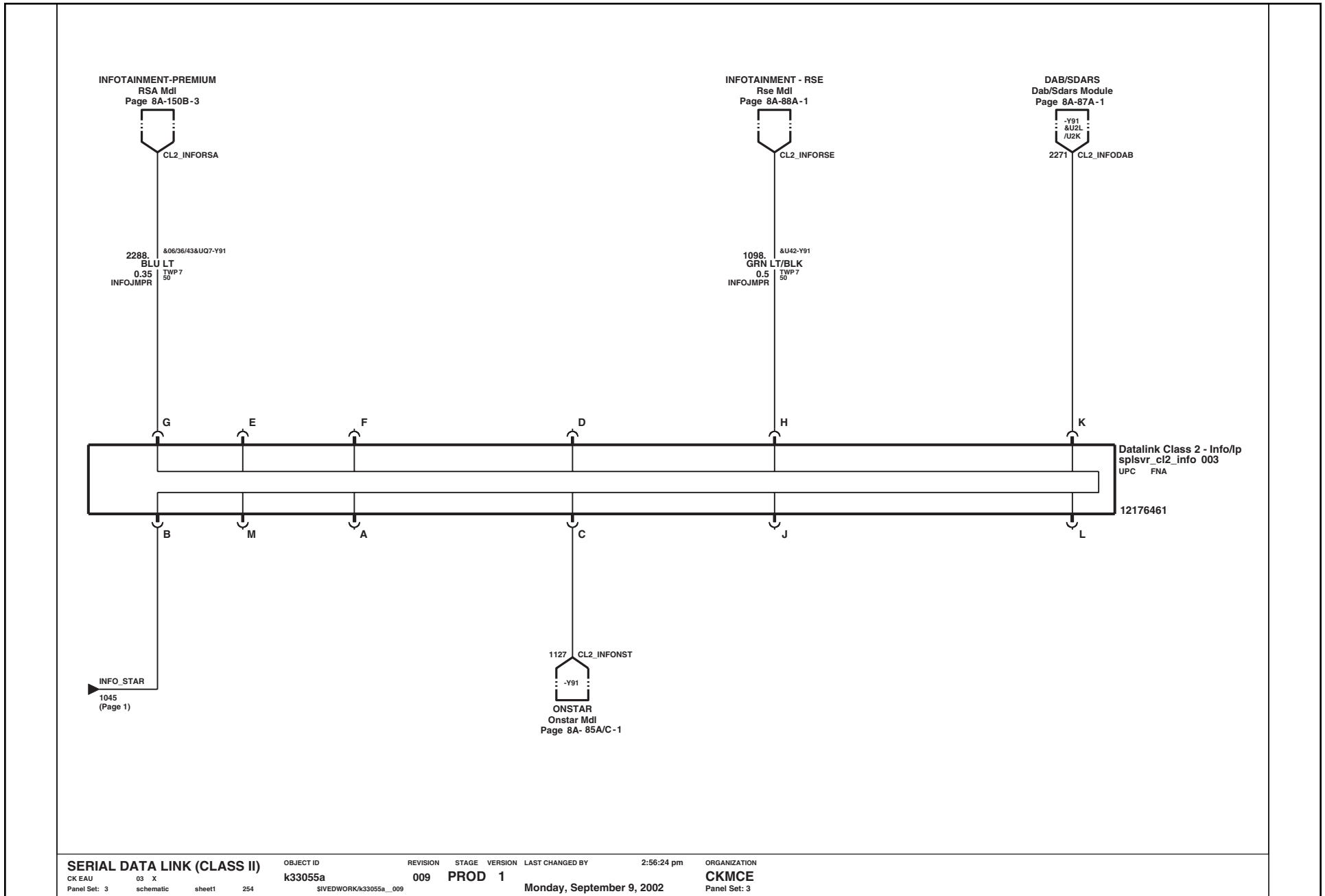
REVISION 009 STAGE PROD 1 VERSION 1 LAST CHANGED BY

Monday, September 9, 2002

2:56:24 pm

ORGANIZATION  
CKMCE  
Panel Set: 2

## Serial Data: Serial Data Link (Class II)



**SERIAL DATA LINK (CLASS II)**

CK EAU 03 X  
Panel Set: 3 schematic sheet1 254

OBJECT ID  
k33055a

SIVEDWORK/k33055a\_009

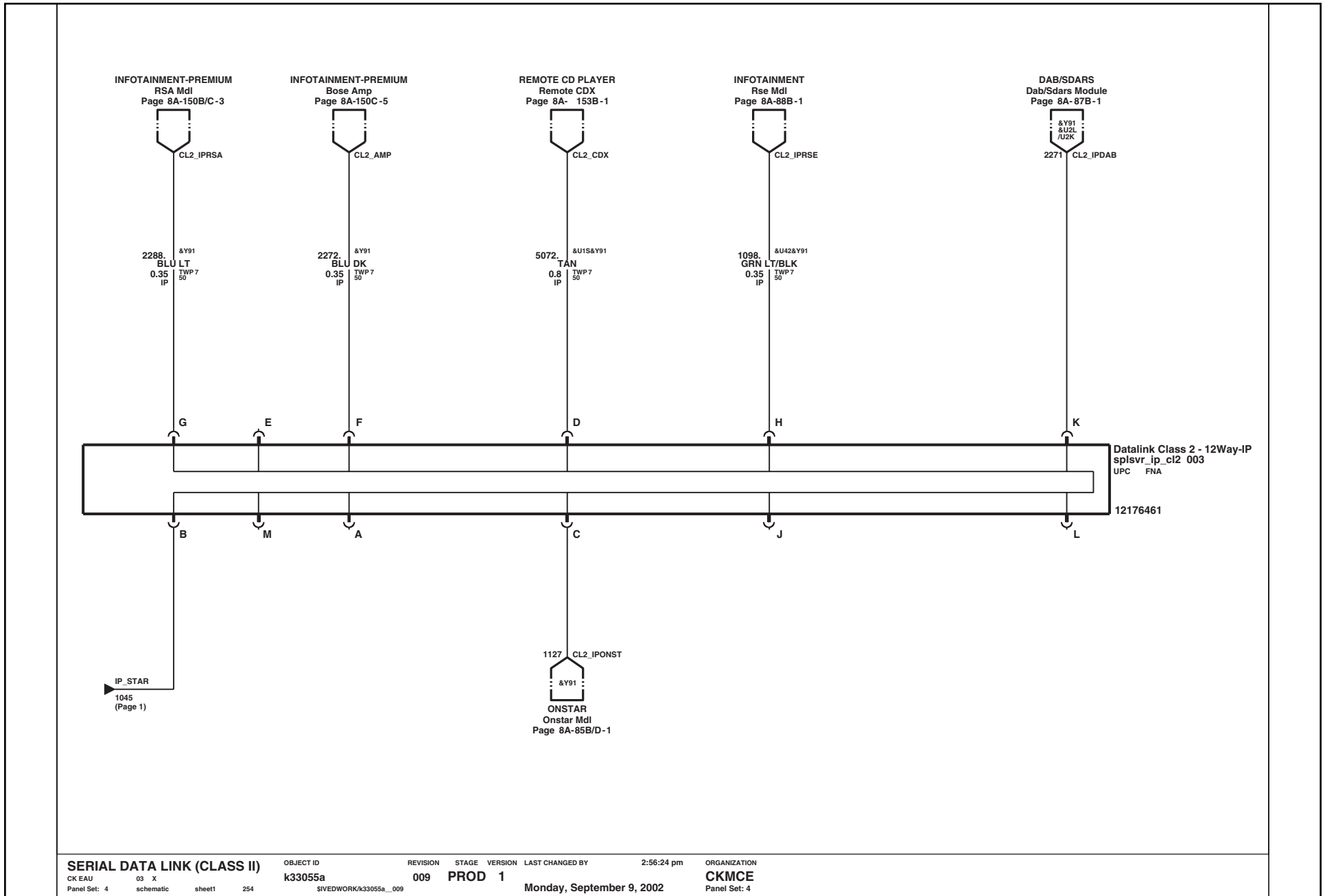
REVISION STAGE VERSION LAST CHANGED BY  
009 PROD 1

Monday, September 9, 2002

2:56:24 pm

ORGANIZATION  
CKMCE  
Panel Set: 3

## Serial Data: Serial Data Link (Class II)



**SERIAL DATA LINK (CLASS II)**

CK EAU 03 X  
Panel Set: 4 schematic sheet1 254

OBJECT ID  
k33055a

SIVEDWORK/k33055a\_009

REVISION STAGE VERSION LAST CHANGED BY  
009 PROD 1

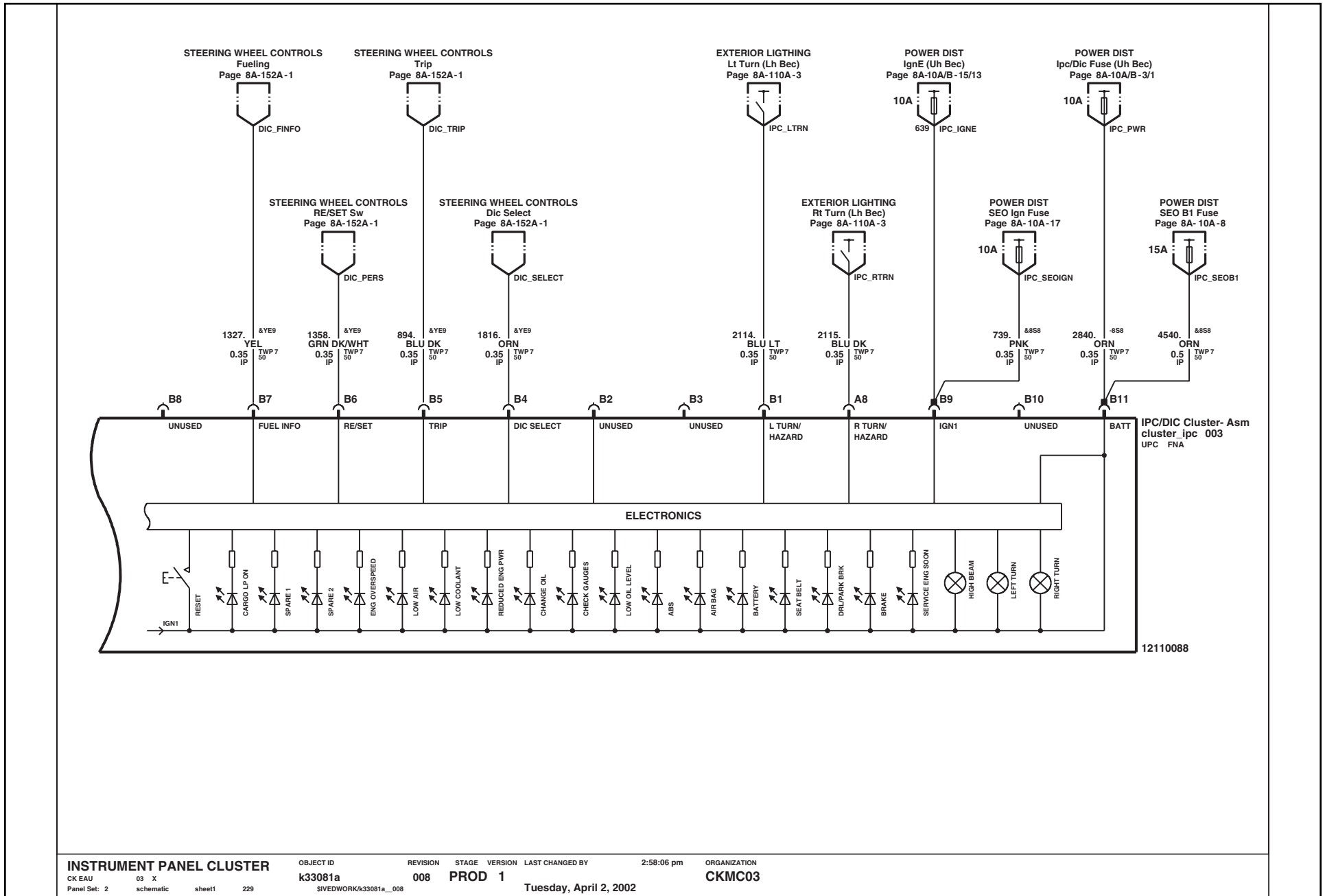
Monday, September 9, 2002

2:56:24 pm

ORGANIZATION  
CKMCE  
Panel Set: 4



## Instrument Panel Cluster



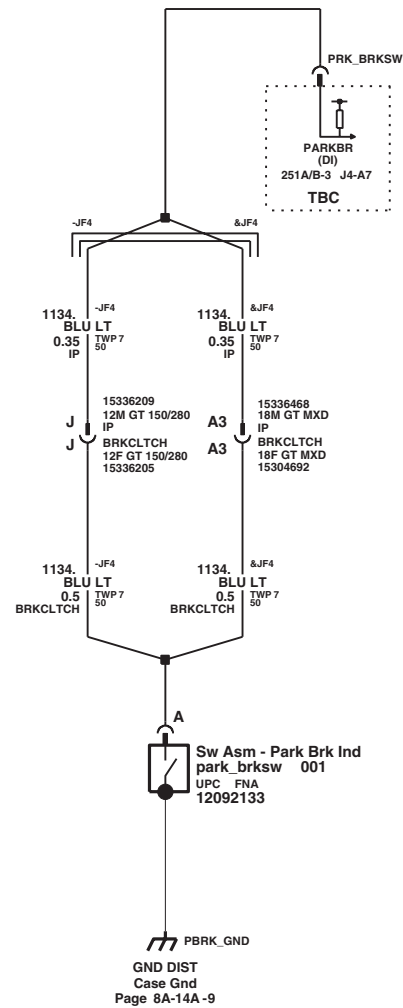
**INSTRUMENT PANEL CLUSTER**  
 CK EAU 03 X  
 Panel Set: 2 schematic sheet1 229

OBJECT ID  
 k33081a  
 SIVEDWORK/k33081a\_008

REVISION 008 STAGE PROD 1  
 LAST CHANGED BY Tuesday, April 2, 2002

2:58:06 pm ORGANIZATION CKMC03

## Instrument Panel Cluster



**INSTRUMENT PANEL CLUSTER**

CK EAU 03 X  
Panel Set: 3 schematic sheet1 229

OBJECT ID  
k33081a

SIVEDWORK/k33081a\_008

REVISION STAGE VERSION LAST CHANGED BY  
008 PROD 1

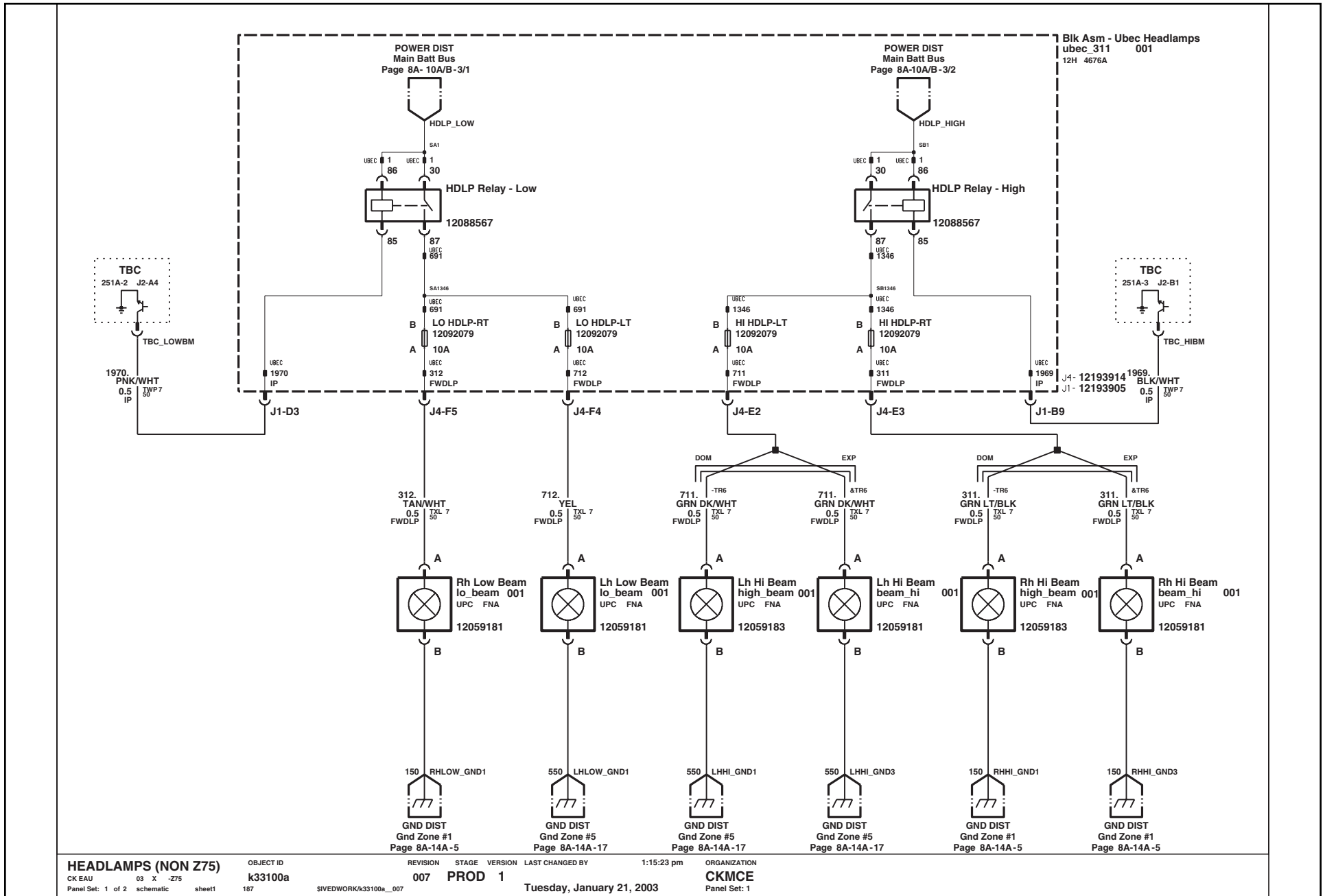
Tuesday, April 2, 2002

2:58:06 pm

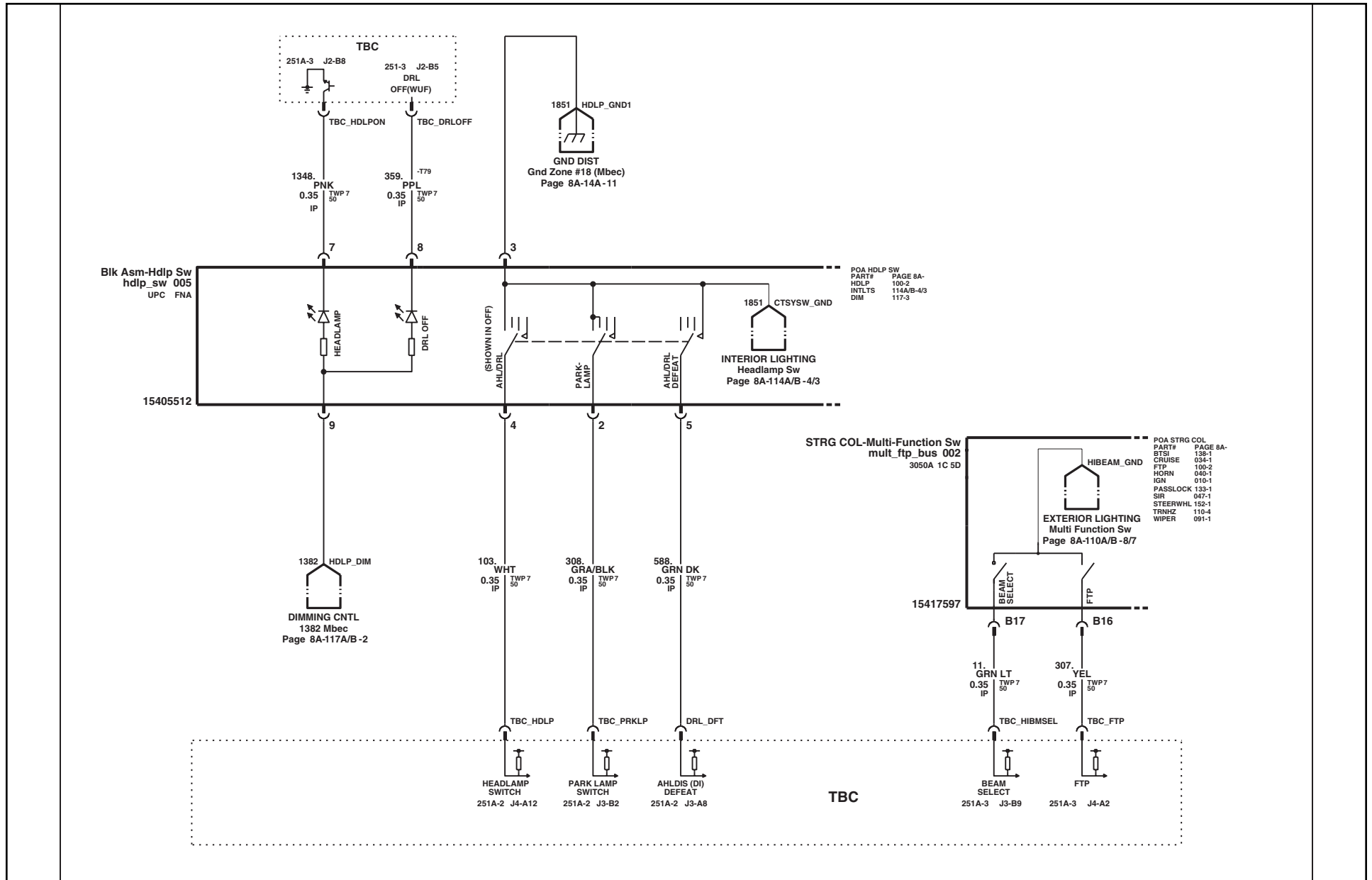
ORGANIZATION  
CKMC03  
Panel Set: 3

# 2003 & BEYOND LIGHT DUTY C/K FULL-SIZE TRUCK ELECTRICAL

## Headlamps: Non Z75

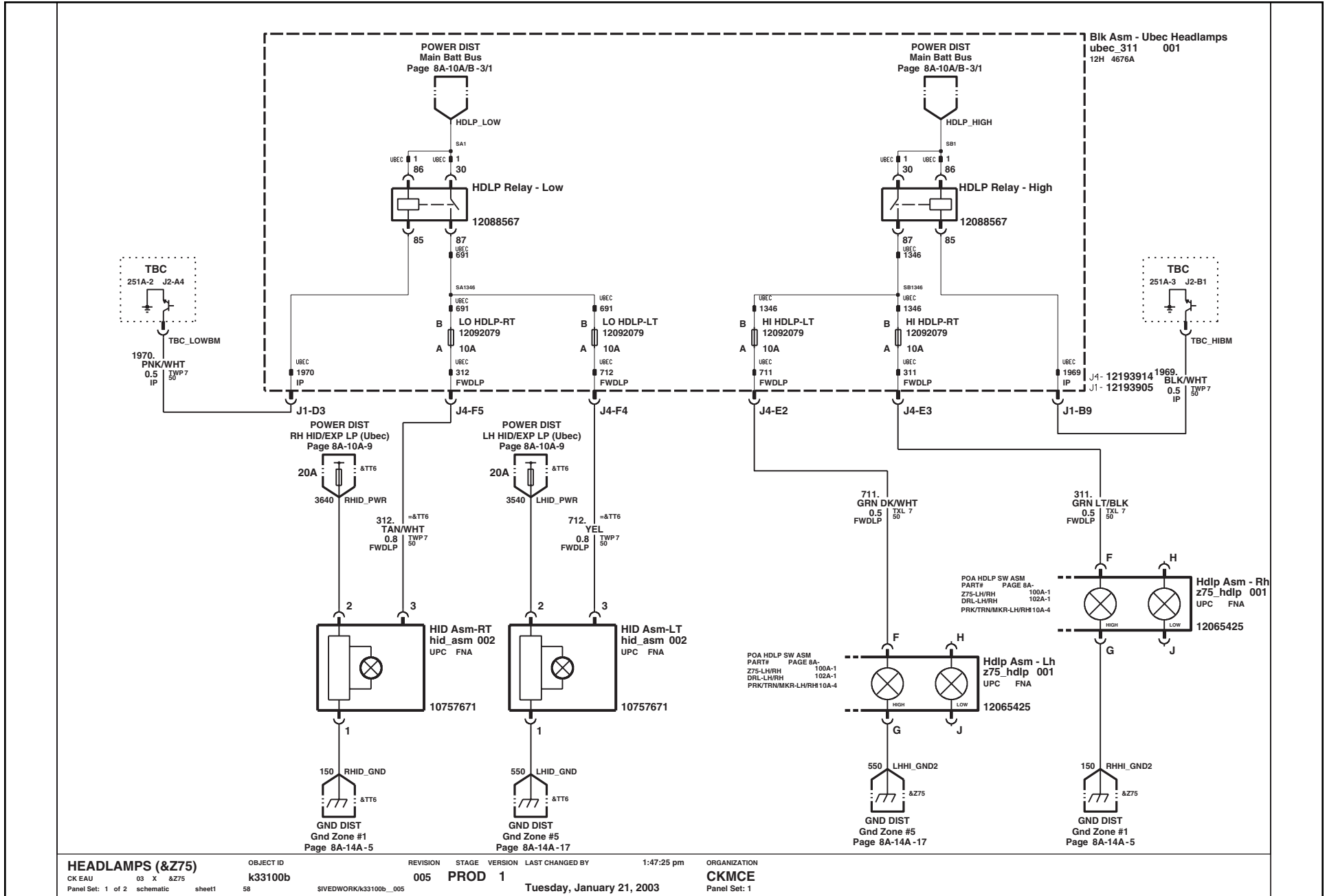


## Headlamps: Non Z75

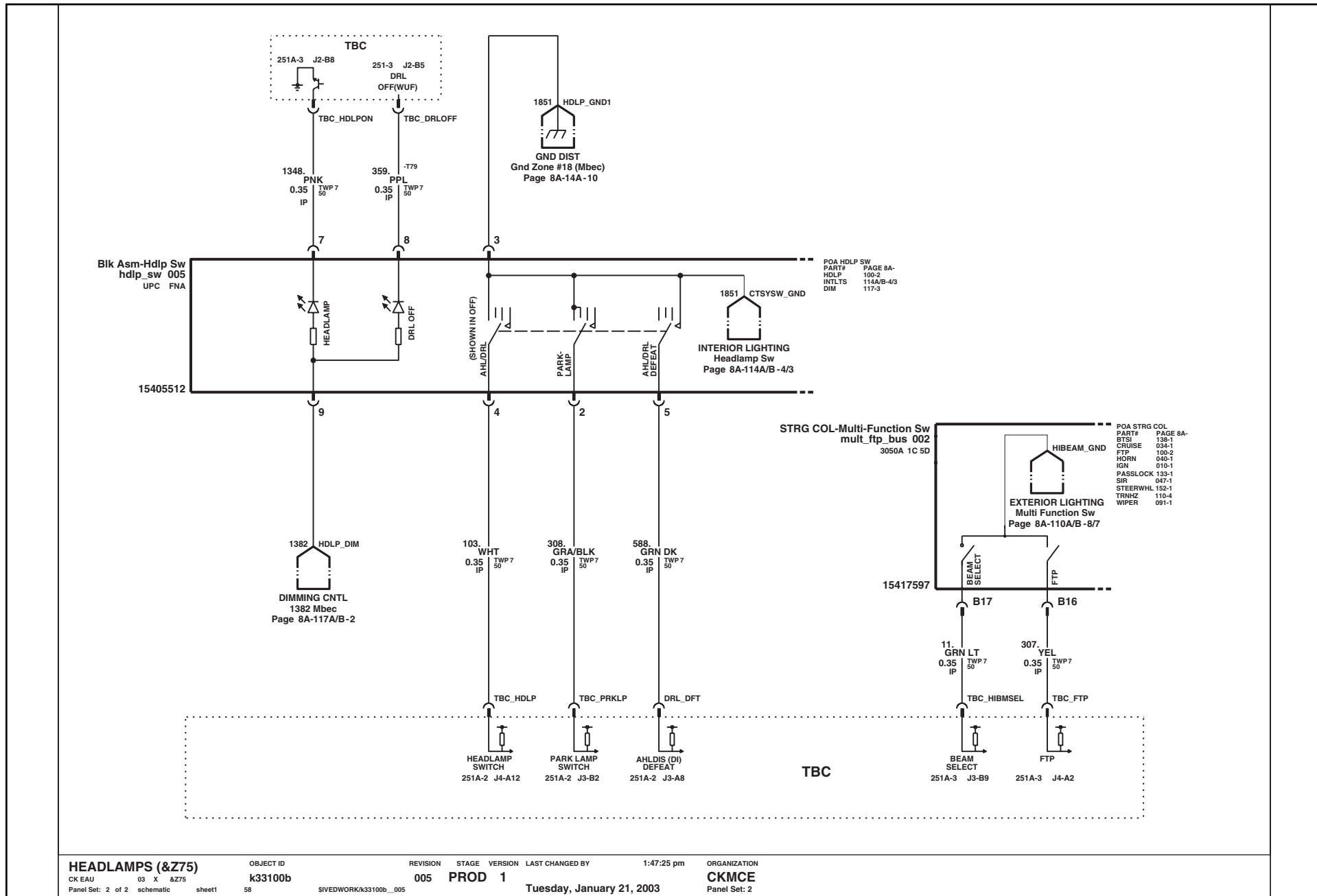


# 2003 & BEYOND LIGHT DUTY C/K FULL-SIZE TRUCK ELECTRICAL

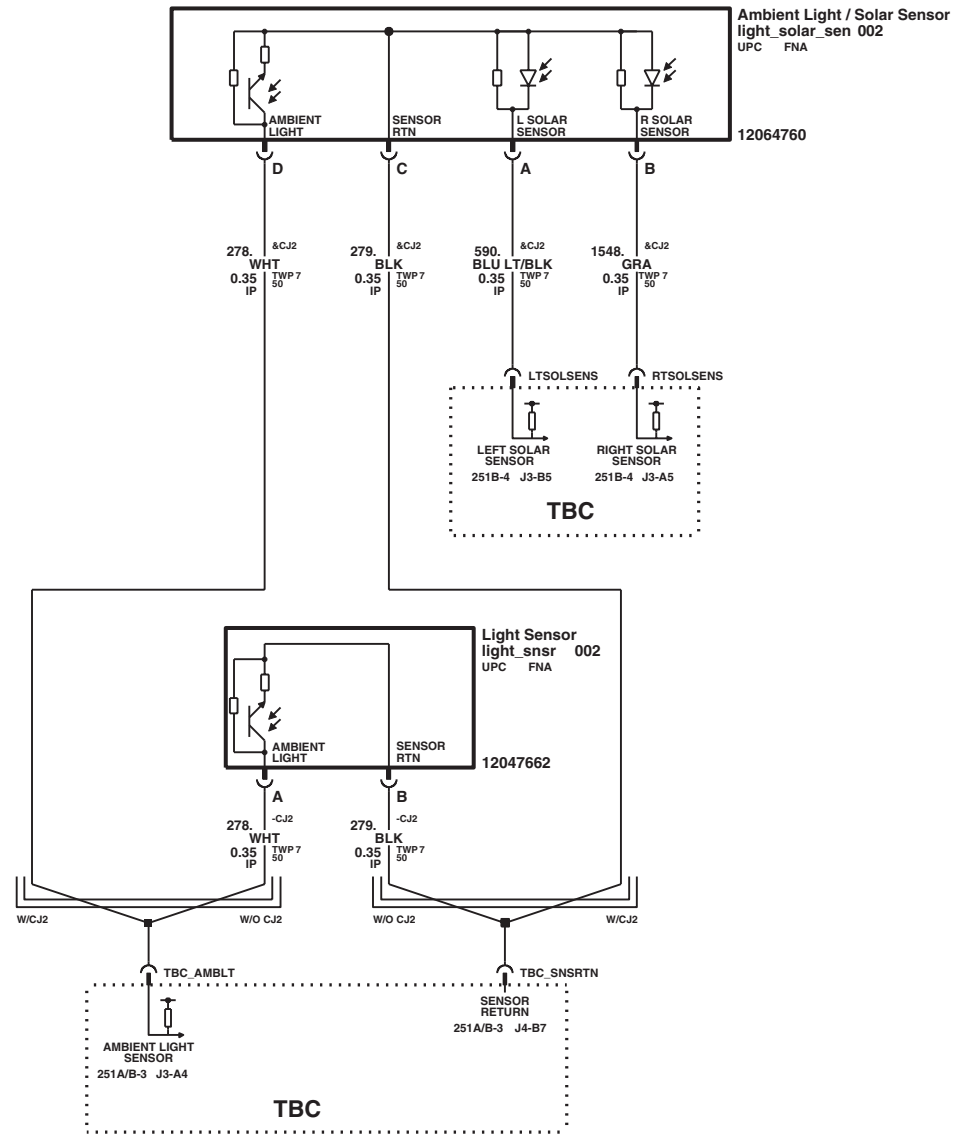
## Headlamps: Z75



## Headlamps: Z75



## Ambient Light / Solar Sensor



**AMBIENT LIGHT / SOLAR SENSOR**  
CK EAU 03 X k33101a  
Panel Set: 1 schematic sheet1 26

SIVEDWORK/k33101a\_002

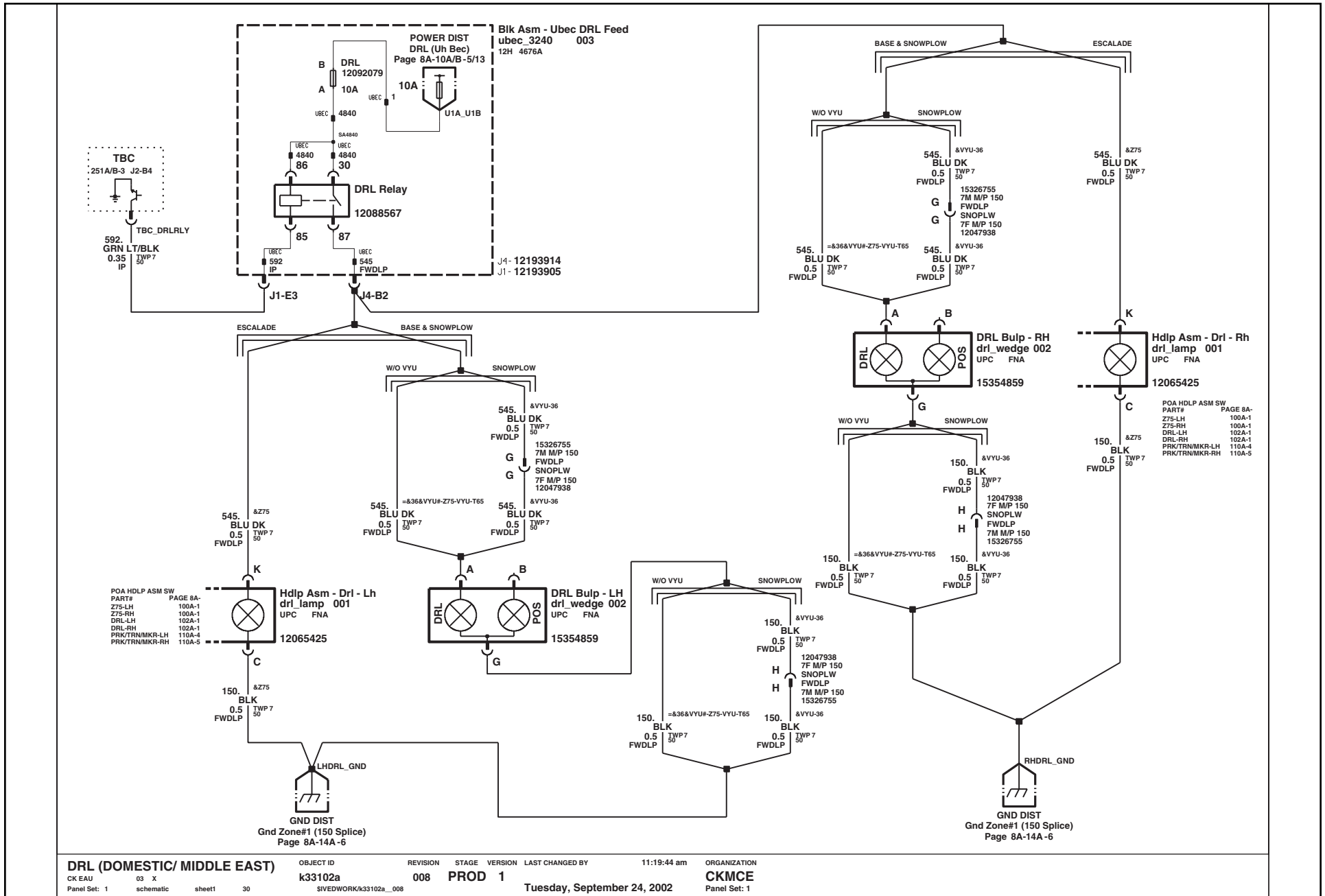
REVISION STAGE VERSION LAST CHANGED BY  
002 PROD 1 Thursday, January 3, 2002

5:38:27 pm

ORGANIZATION  
CKMC03  
Panel Set: 1

# 2003 & BEYOND LIGHT DUTY C/K FULL-SIZE TRUCK ELECTRICAL

## Daytime Running Lights (Domestic / Middle East)



**DRL (DOMESTIC/ MIDDLE EAST)**

CK EAU 03 X  
Panel Set: 1 schematic sheet1 30

OBJECT ID  
k33102a  
SIVEDWORK/k33102a\_008

REVISION 008  
STAGE PROD 1  
VERSION 1  
LAST CHANGED BY

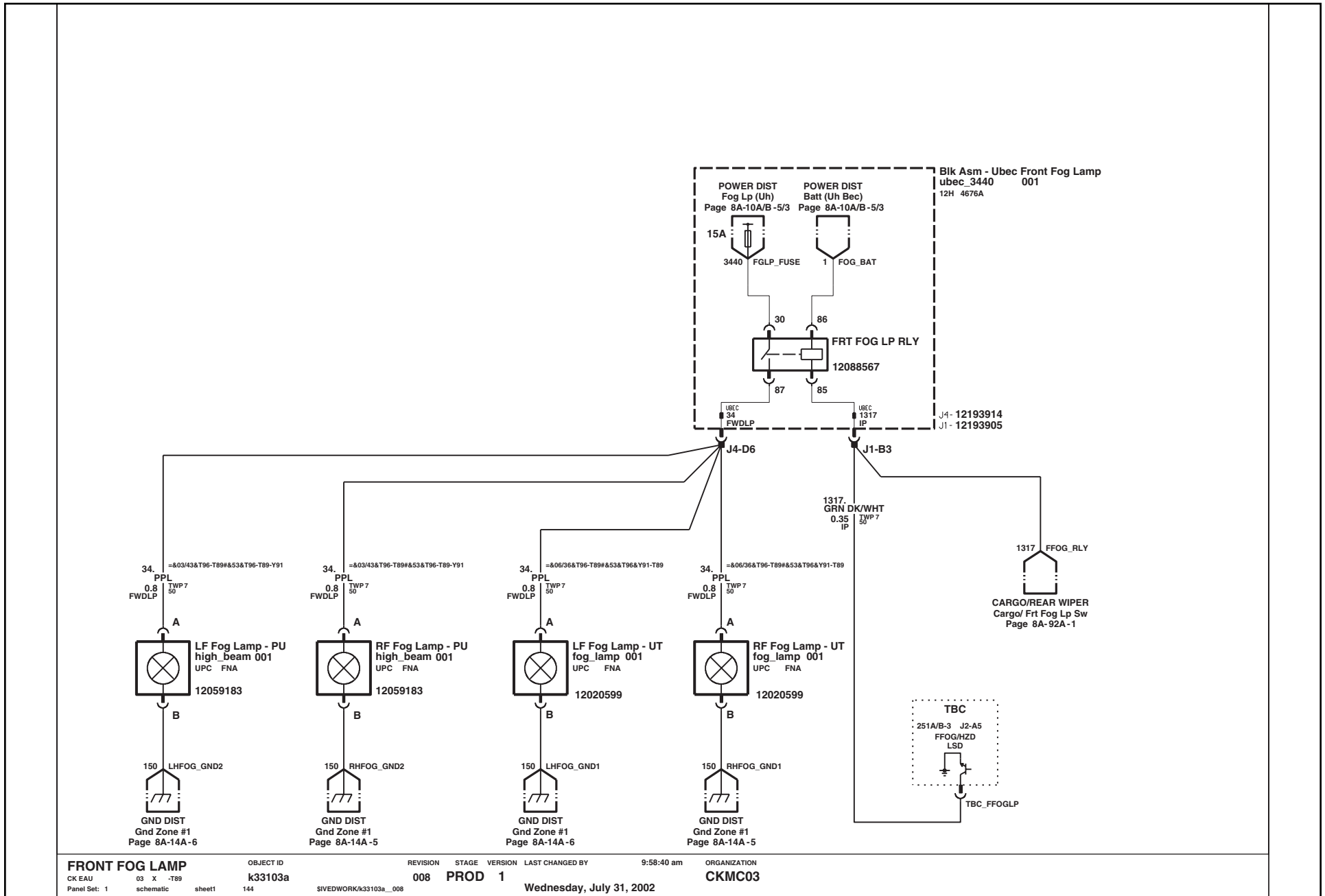
11:19:44 am

ORGANIZATION  
CKMCE  
Panel Set: 1

Tuesday, September 24, 2002

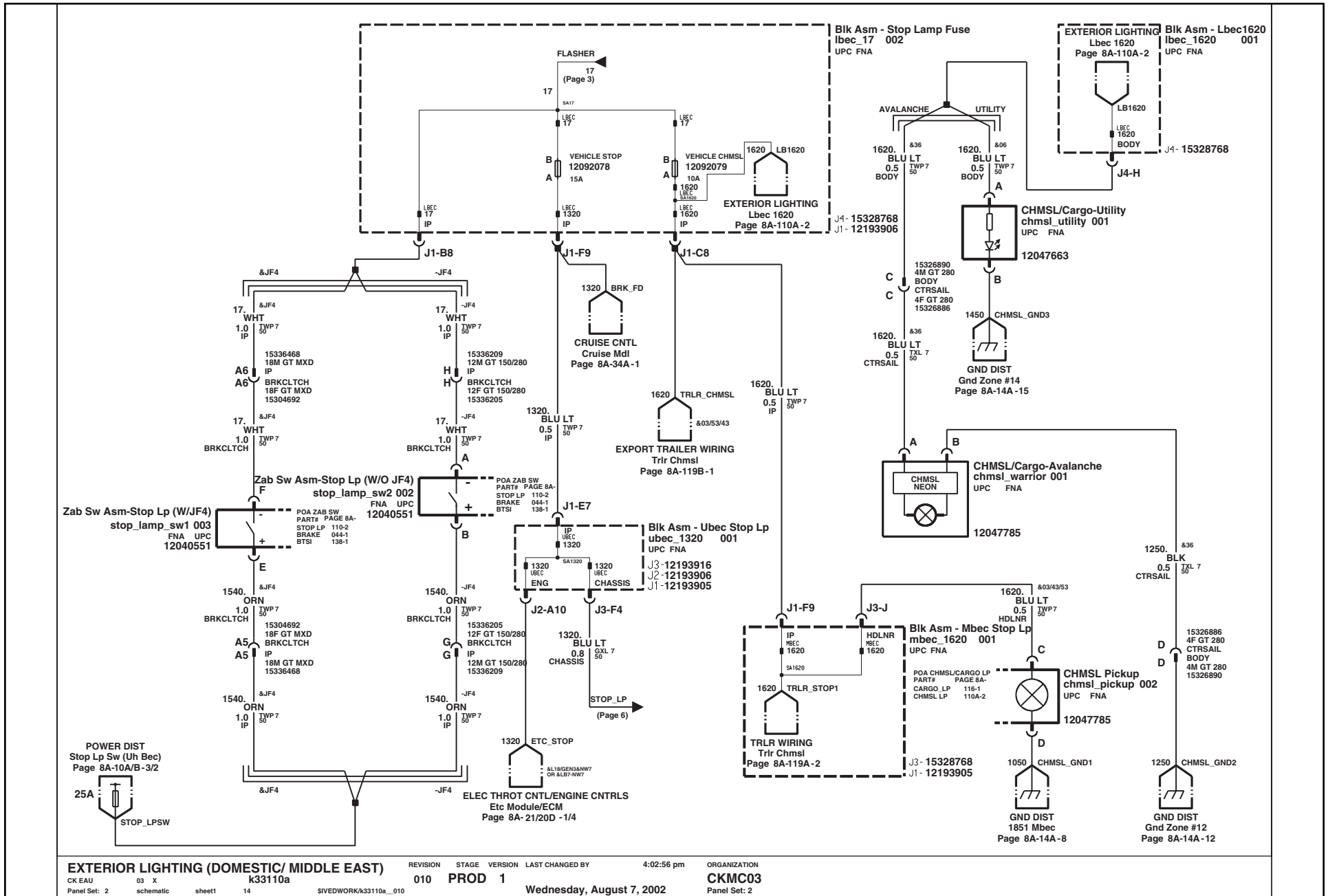


## Front Fog Lamp

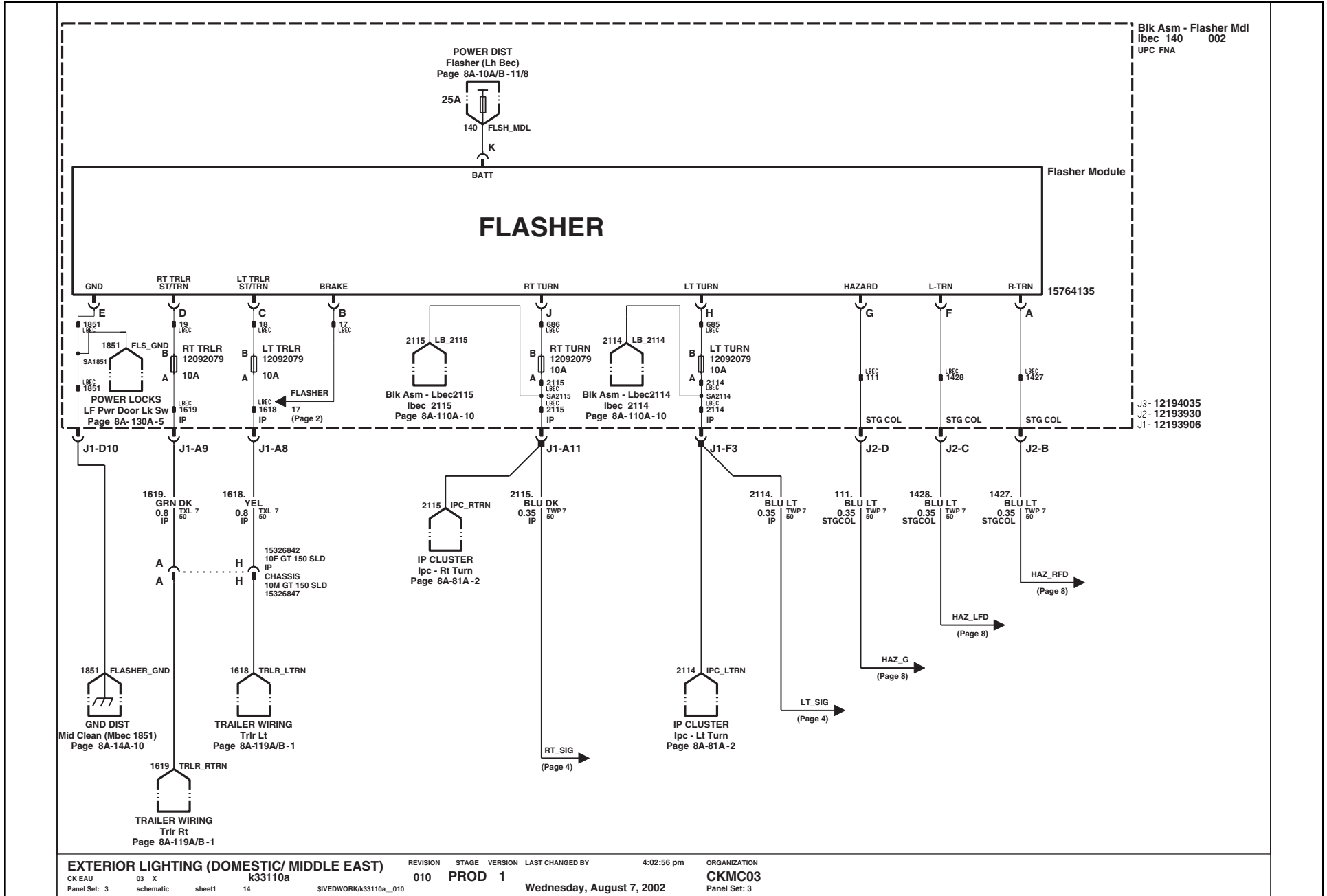




## Exterior Lighting: Domestic / Middle East



## Exterior Lighting: Domestic / Middle East



EXTERIOR LIGHTING (DOMESTIC/ MIDDLE EAST)

CK EAU 03 X k33110a  
Panel Set: 3 schematic sheet1 14 SIVEDWORK/k33110a\_010

REVISION 010 STAGE PROD 1 VERSION 1 LAST CHANGED BY

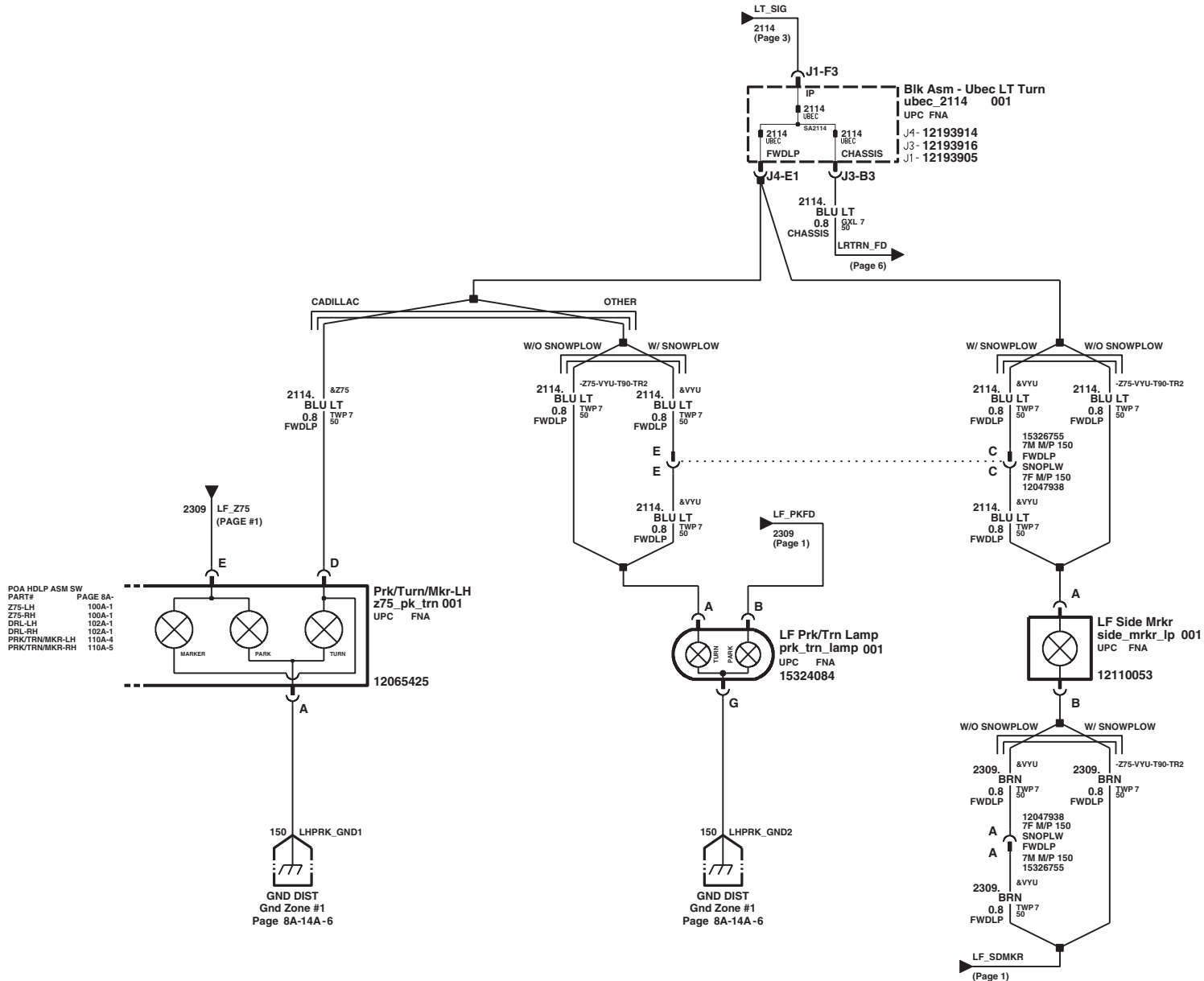
4:02:56 pm

ORGANIZATION CKMC03  
Panel Set: 3

Wednesday, August 7, 2002

# 2003 & BEYOND LIGHT DUTY C/K FULL-SIZE TRUCK ELECTRICAL

## Exterior Lighting: Domestic / Middle East



POA HDLP ASM SW  
 PART# PAGE 8A-  
 Z75-LH 100A-1  
 Z75-RH 100A-1  
 DRL-LH 102A-1  
 DRL-RH 102A-1  
 PRK/TRN/MKR-LH 110A-4  
 PRK/TRN/MKR-RH 110A-5

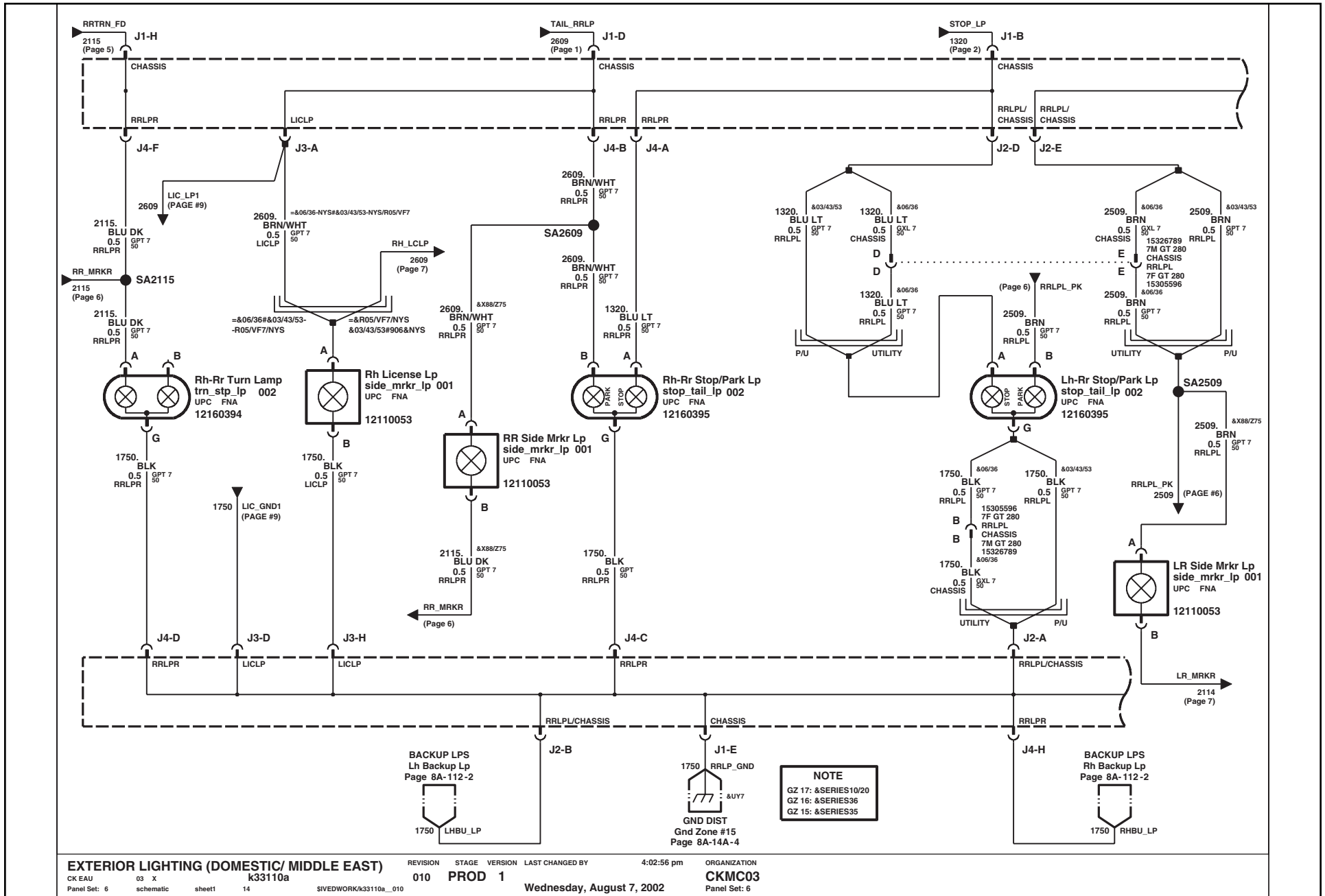
Prk/Turn/Mkr-LH  
 z75\_pk\_trn 001  
 UPC FNA  
 12065425

Lf Prk/Trn Lamp  
 prk\_trn\_lamp 001  
 UPC FNA  
 15324084

Lf Side Mrkr  
 side\_mrkr\_lp 001  
 UPC FNA  
 12110053



## Exterior Lighting: Domestic / Middle East

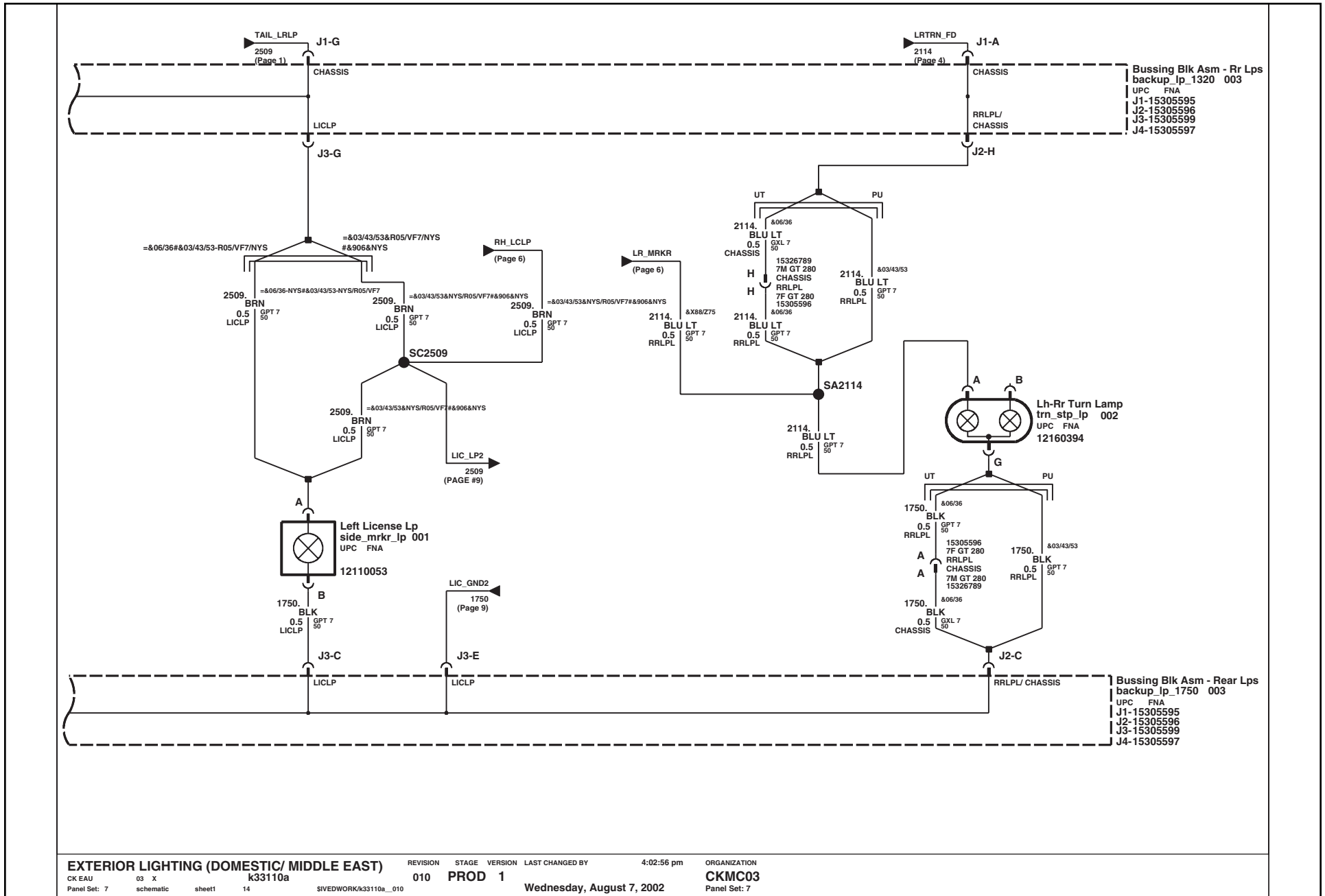


**EXTERIOR LIGHTING (DOMESTIC/ MIDDLE EAST)**  
 CK EAU 03 X k33110a  
 Panel Set: 6 schematic sheet1 14

REVISION 010 STAGE PROD 1 VERSION 1 LAST CHANGED BY Wednesday, August 7, 2002

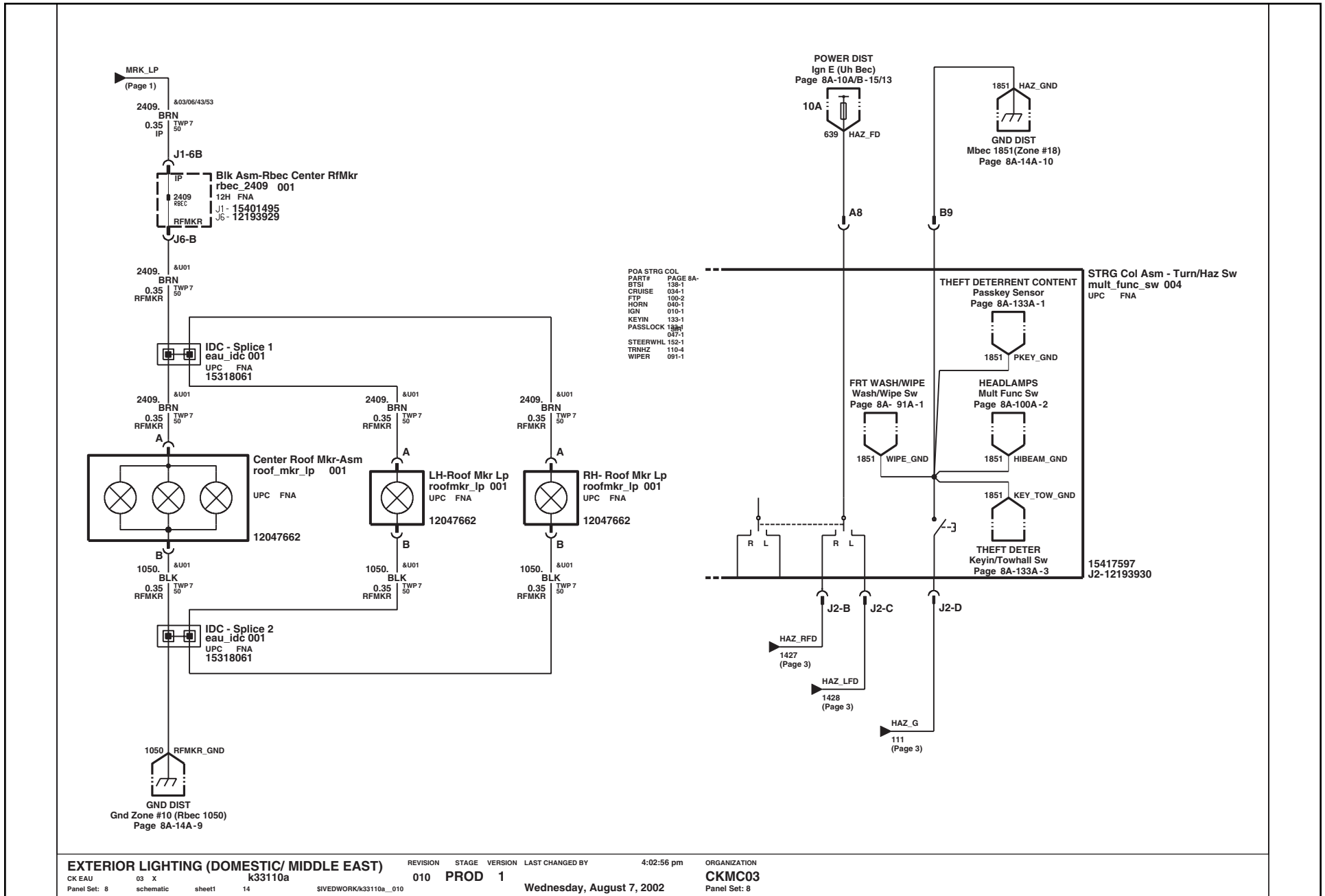
4:02:56 pm ORGANIZATION CKMC03  
 Panel Set: 6

## Exterior Lighting: Domestic / Middle East

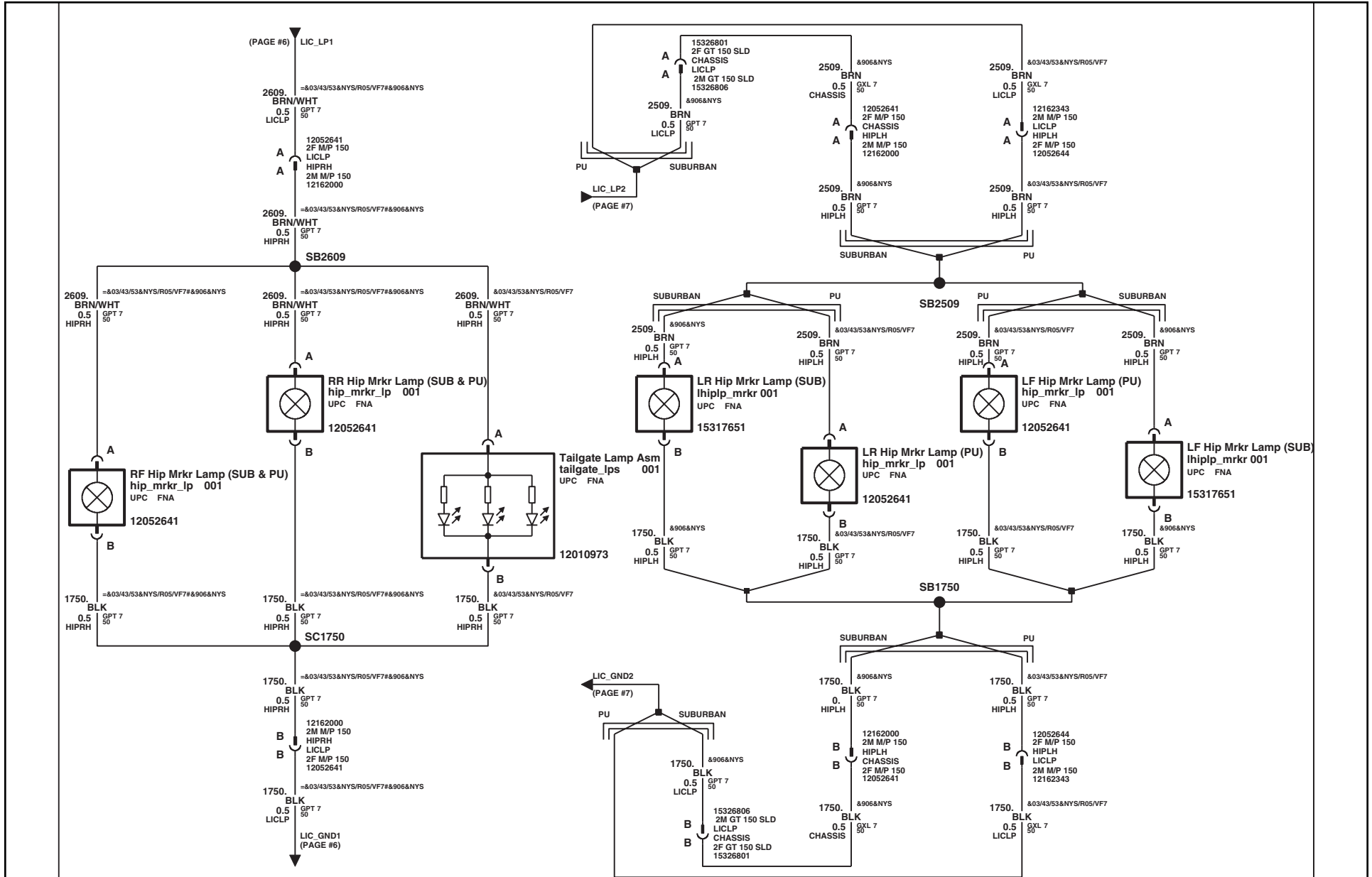




## Exterior Lighting: Domestic / Middle East



## Exterior Lighting: Domestic / Middle East



EXTERIOR LIGHTING (DOMESTIC / MIDDLE EAST)

CK EAU 03 X k33110a  
Panel Set: 9 schematic sheet1 14

REVISION STAGE VERSION LAST CHANGED BY

010 PROD 1

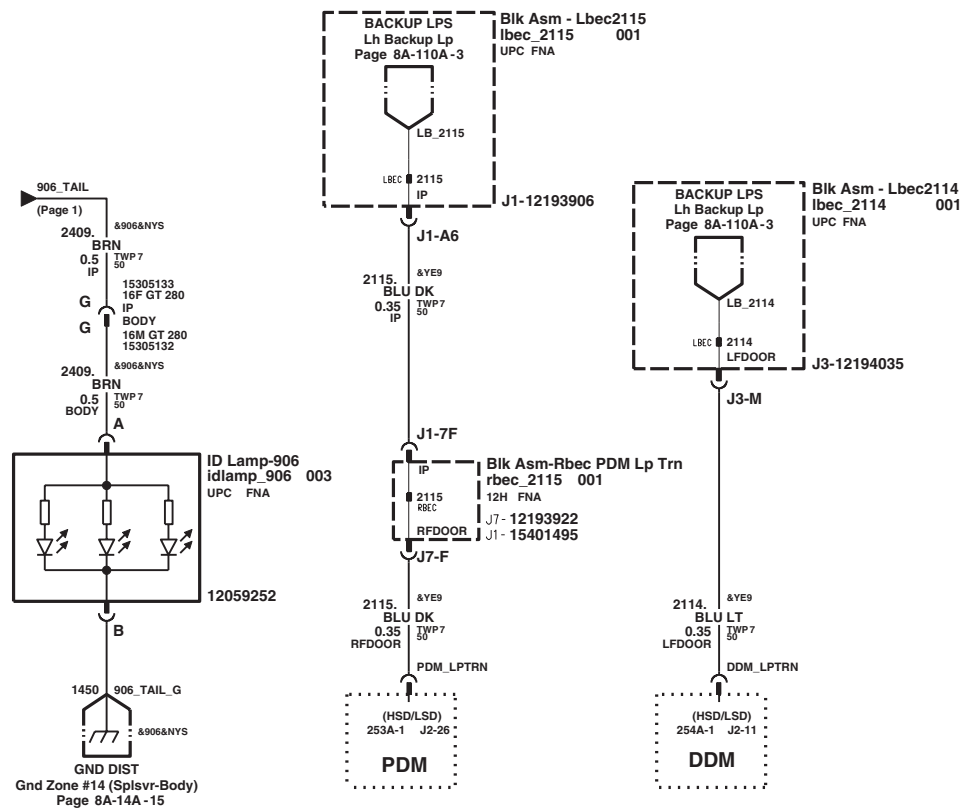
4:02:56 pm

ORGANIZATION

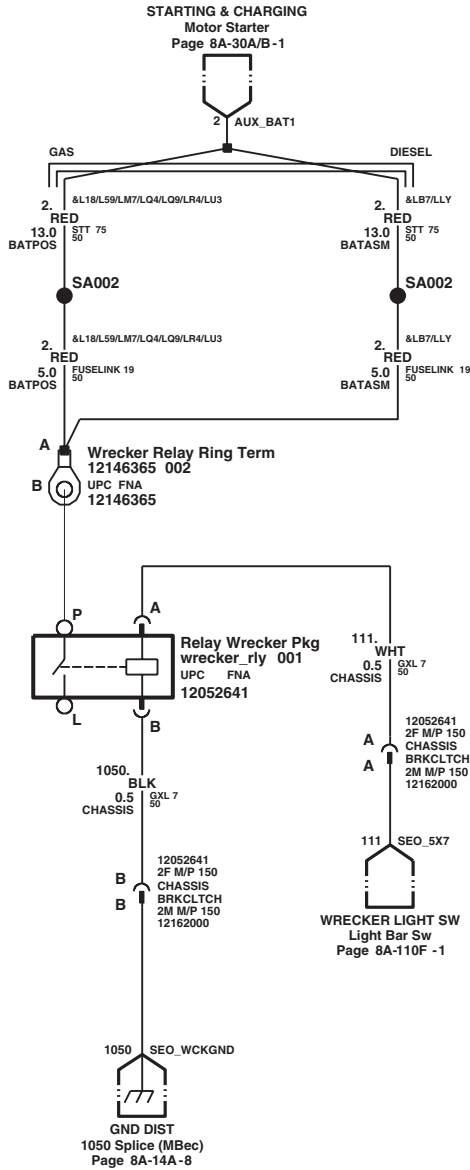
CKMC03  
Panel Set: 9

Wednesday, August 7, 2002

## Exterior Lighting: Domestic / Middle East



## Exterior Lighting: Wrecker Package (SEO)



**WRECKER PACKAGE (SEO)**

CK EAU 03 X 85X7  
Panel Set: 1 schematic sheet1 96

OBJECT ID  
k33110c

SIVEDWORK/k33110c\_008

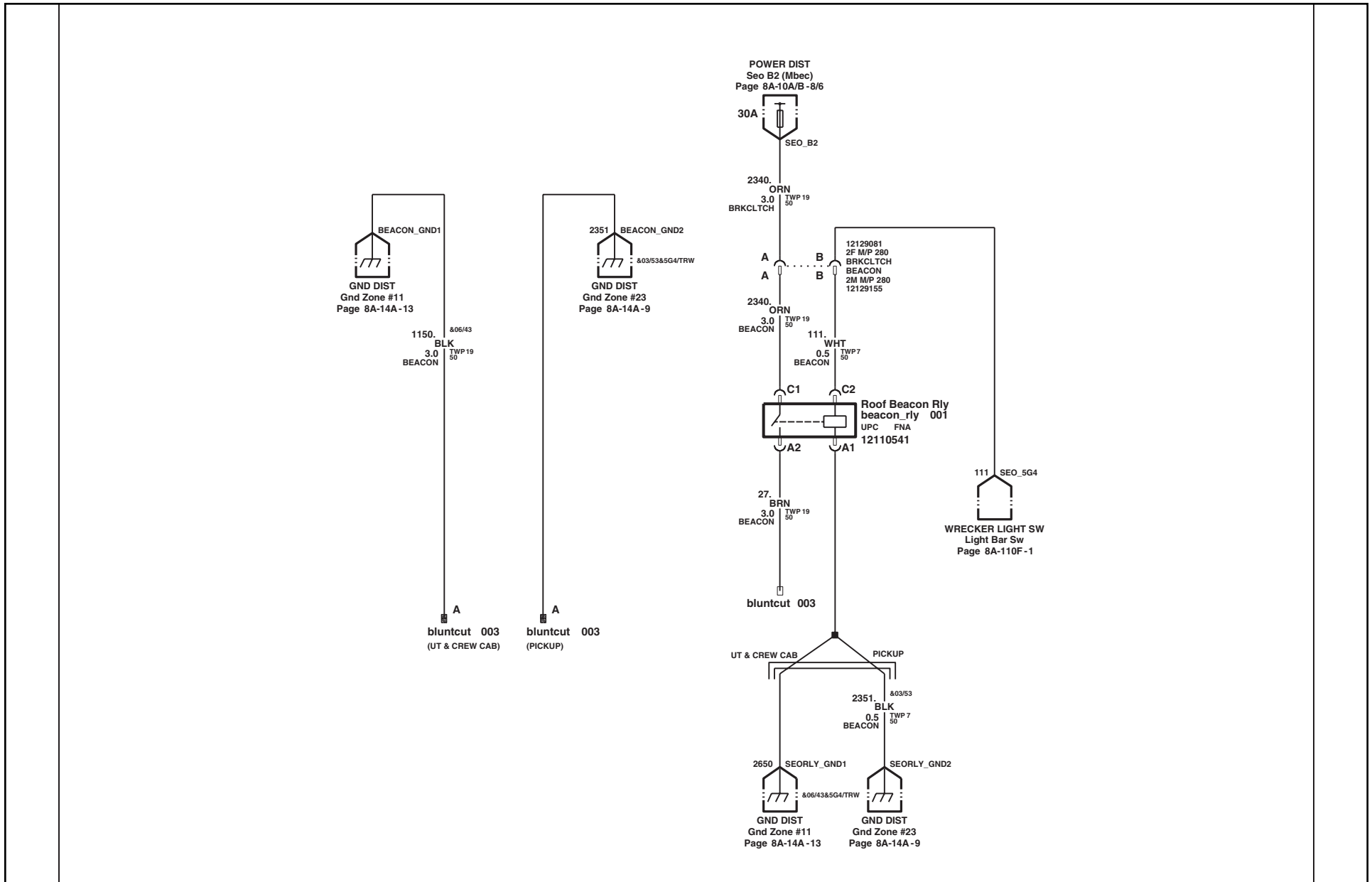
REVISION STAGE VERSION LAST CHANGED BY  
008 PROD 1

Monday, September 9, 2002

11:23:44 am

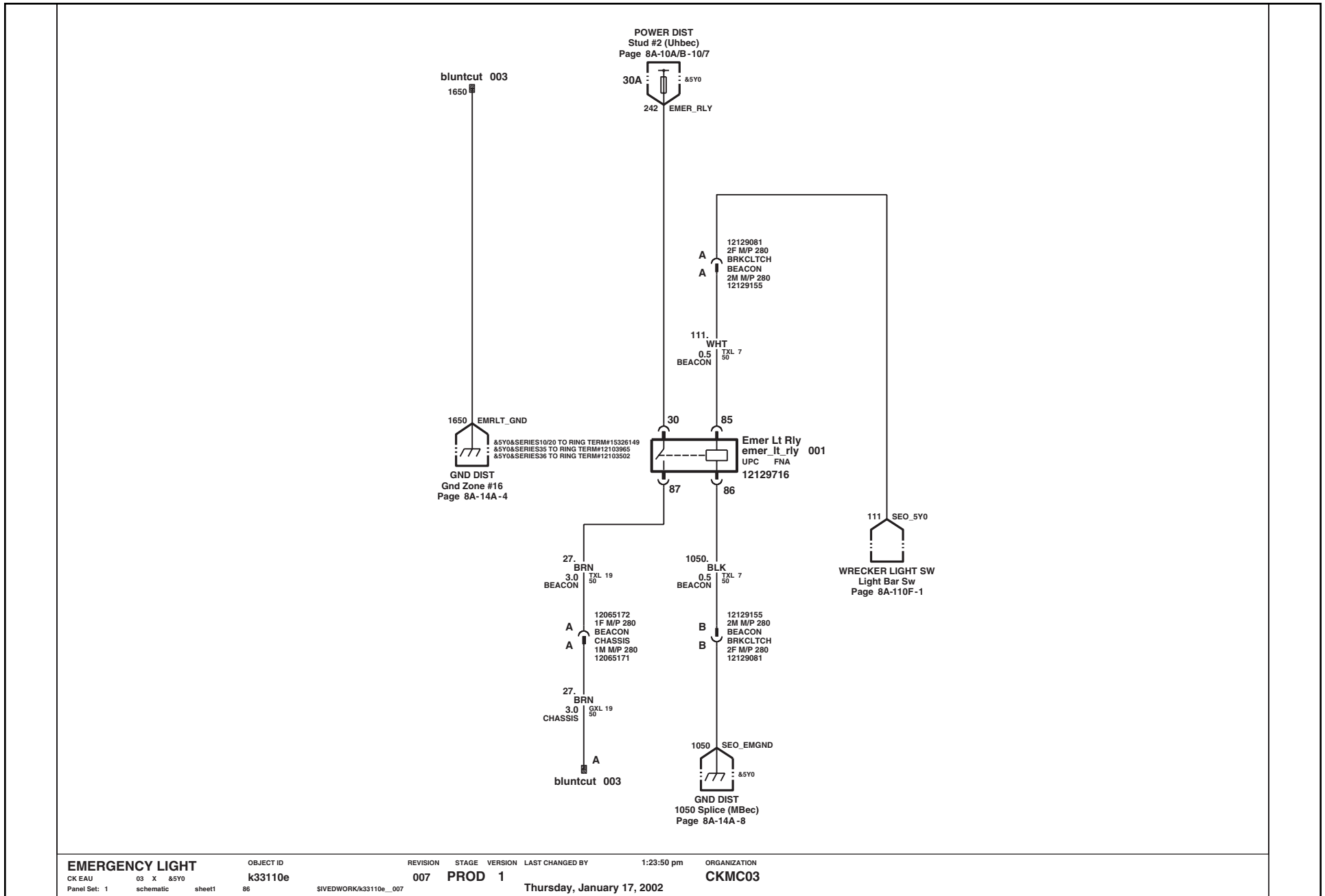
ORGANIZATION  
CKMCE  
Panel Set: 1

## Exterior Lighting: Roof Mounted Beacon



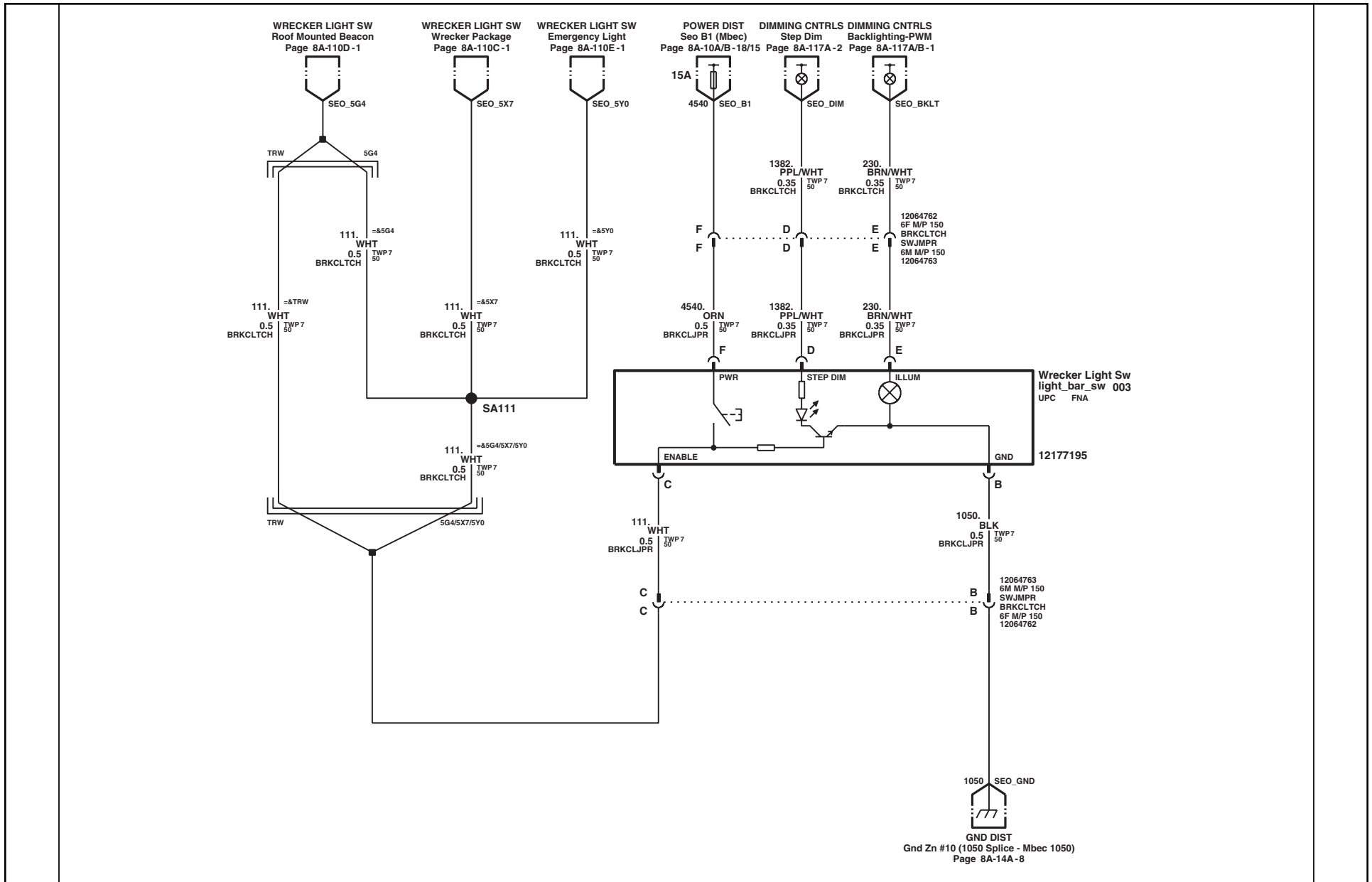
ROOF MOUNTED BEACON		OBJECT ID	REVISION	STAGE	VERSION	LAST CHANGED BY	10:57:31 am	ORGANIZATION
CK EAU	03 X	85G4/TRW	k33110d	008	PROD	1	Thursday, August 1, 2002	CKMC03
Panel Set: 1	schematic	sheet1	107	SIVEDWORK/k33110d_008				

## Exterior Lighting: Emergency Light



EMERGENCY LIGHT		OBJECT ID	REVISION	STAGE	VERSION	LAST CHANGED BY	1:23:50 pm	ORGANIZATION
CK EAU	03 X 85Y0	k33110e	007	PROD	1	Thursday, January 17, 2002		CKMC03
Panel Set: 1	schematic sheet1	86	SIVEDWORK/k33110e_007					

## Exterior Lighting: Wrecker Light Bar SW (SEO)



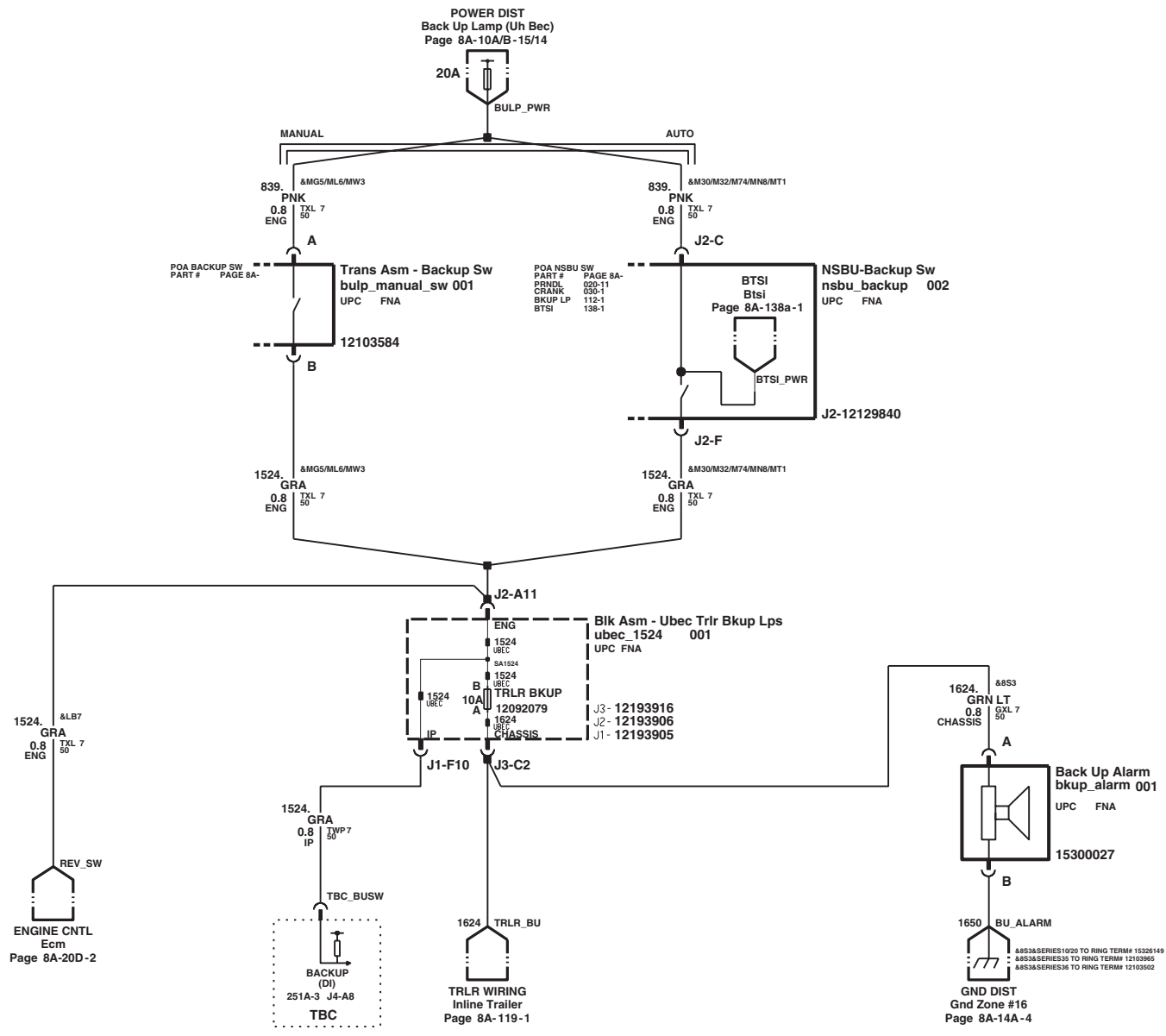
**WRECKER LIGHT BAR SW(SEO)**  
 CK EAU 03 X 85G4/5X7/5Y0/TRW  
 Panel Set: 1 schematic sheet1 20

OBJECT ID: k33110f  
 SIVEDWORK/k33110f\_002

REVISION: 002  
 STAGE: PROD  
 VERSION: 1  
 LAST CHANGED BY: Thursday, January 17, 2002

1:36:36 pm  
 ORGANIZATION: CKMC03  
 Panel Set: 1

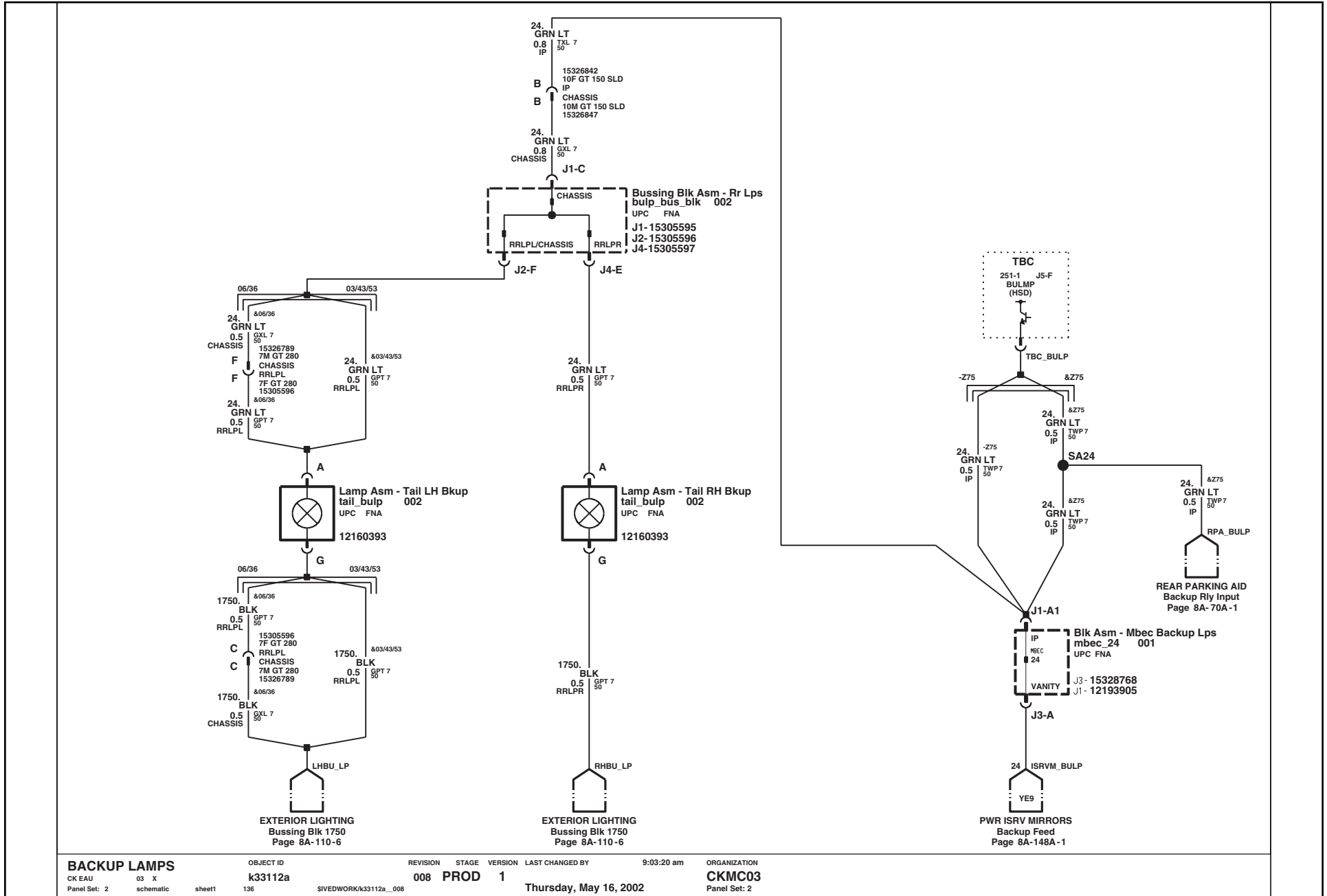
## Backup Lamps



<b>BACKUP LAMPS</b>	OBJECT ID	REVISION	STAGE	VERSION	LAST CHANGED BY	9:03:20 am	ORGANIZATION
CK EAU	k33112a	008	PROD	1			CKMC03
Panel Set: 1	schematic sheet1 136	SIVEDWORK/k33112a_008		Thursday, May 16, 2002		Panel Set: 1	



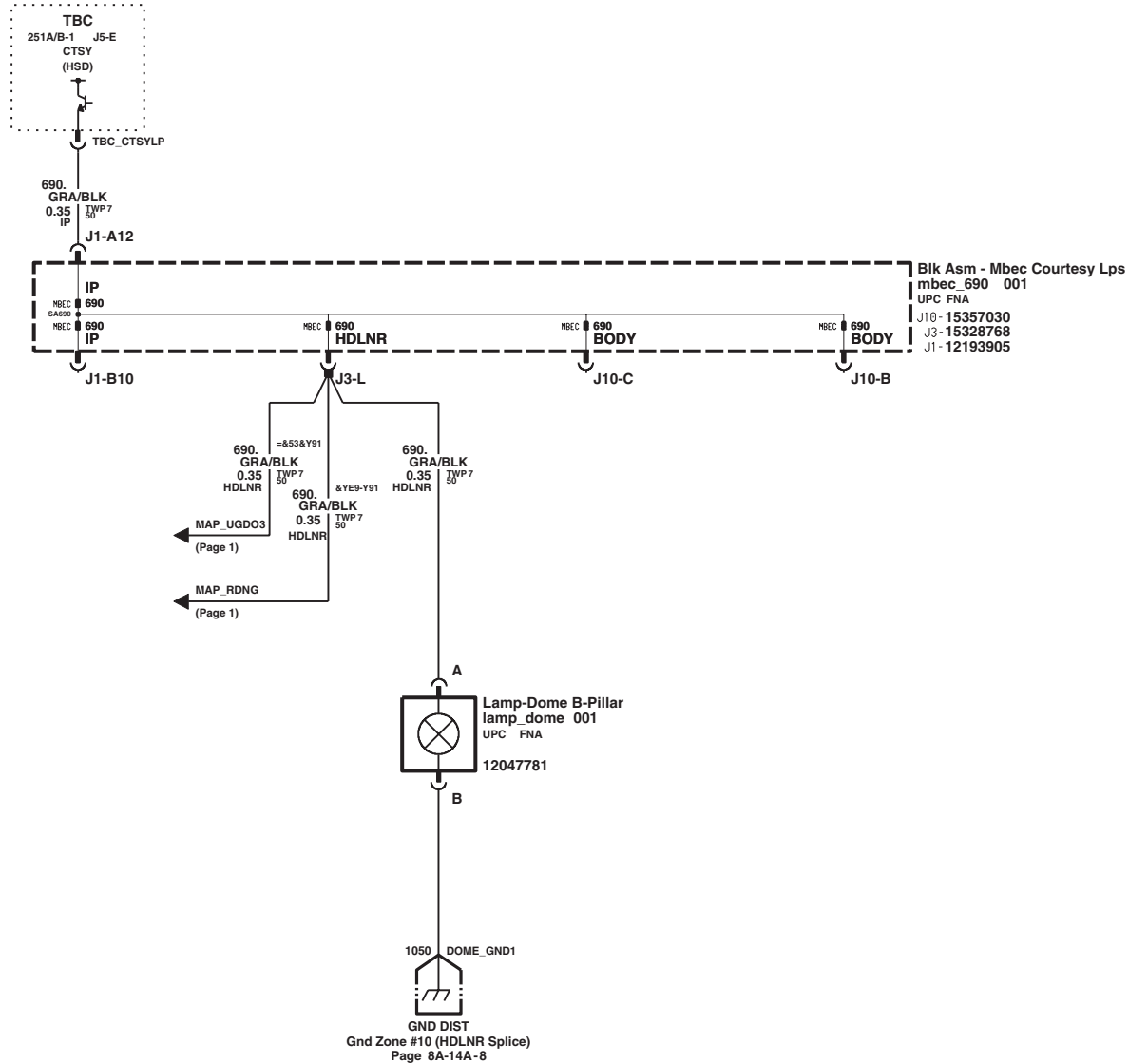
## Backup Lamps



<b>BACKUP LAMPS</b>	OBJECT ID	REVISION	STAGE	VERSION	LAST CHANGED BY	9:03:20 am	ORGANIZATION
CK EAU	k33112a	008	PROD	1			CKMC03
Panel Set: 2	schematic sheet1	136	SIVEDWORK/k33112a_008		Thursday, May 16, 2002		Panel Set: 2



## Interior Lighting (Pickup)



**INTERIOR LIGHTING (PICKUP)**

CK EAU 03 X 803/53  
Panel Set: 2 of 3 schematic sheet1 199

OBJECT ID  
k33114b

SIVEDWORK/k33114b\_010

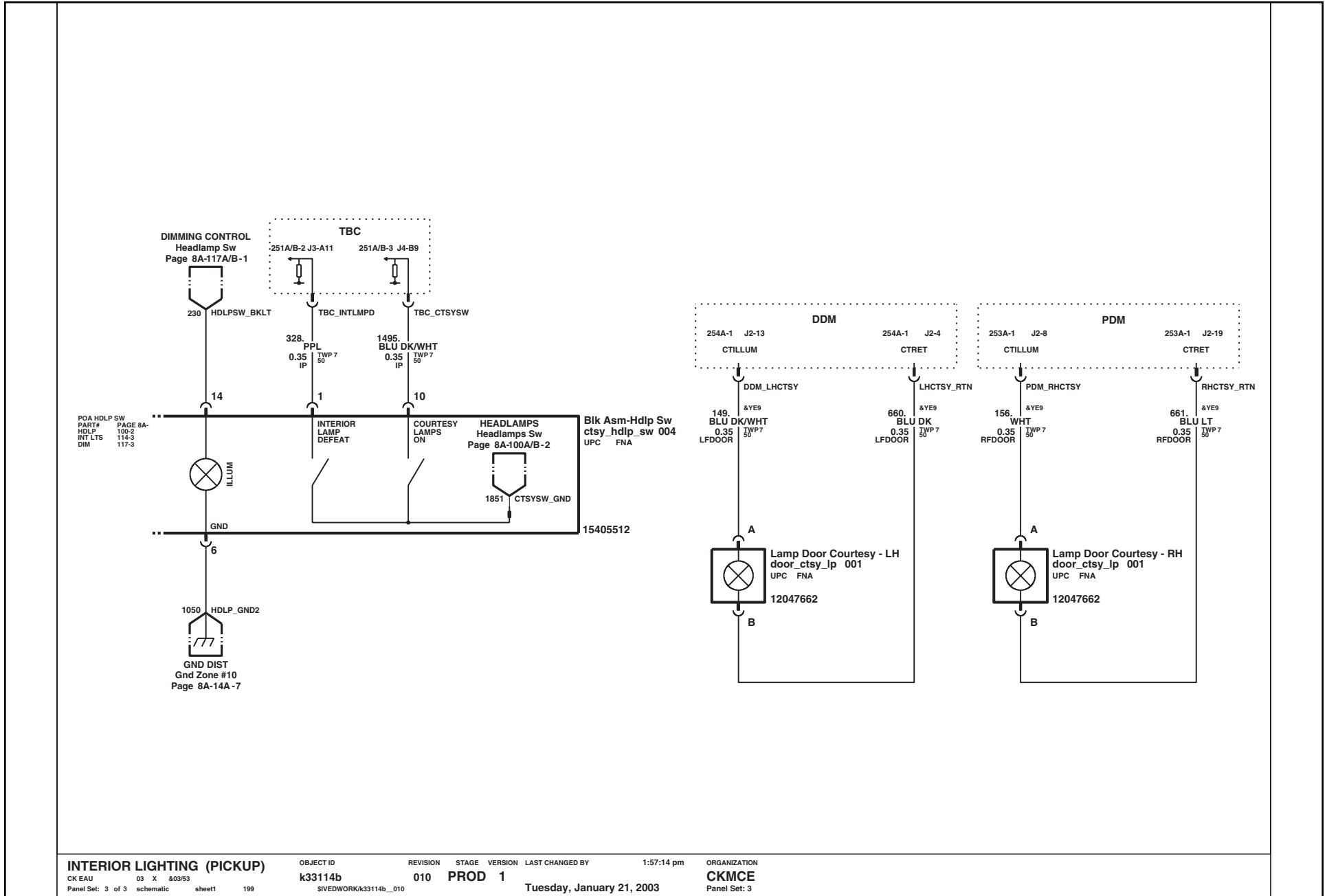
REVISION 010 STAGE PROD 1

LAST CHANGED BY  
Tuesday, January 21, 2003

1:57:14 pm

ORGANIZATION  
CKMCE  
Panel Set: 2

## Interior Lighting (Pickup)



**INTERIOR LIGHTING (PICKUP)**

CK EAU 03 X 803/53  
Panel Set: 3 of 3 schematic sheet1 199

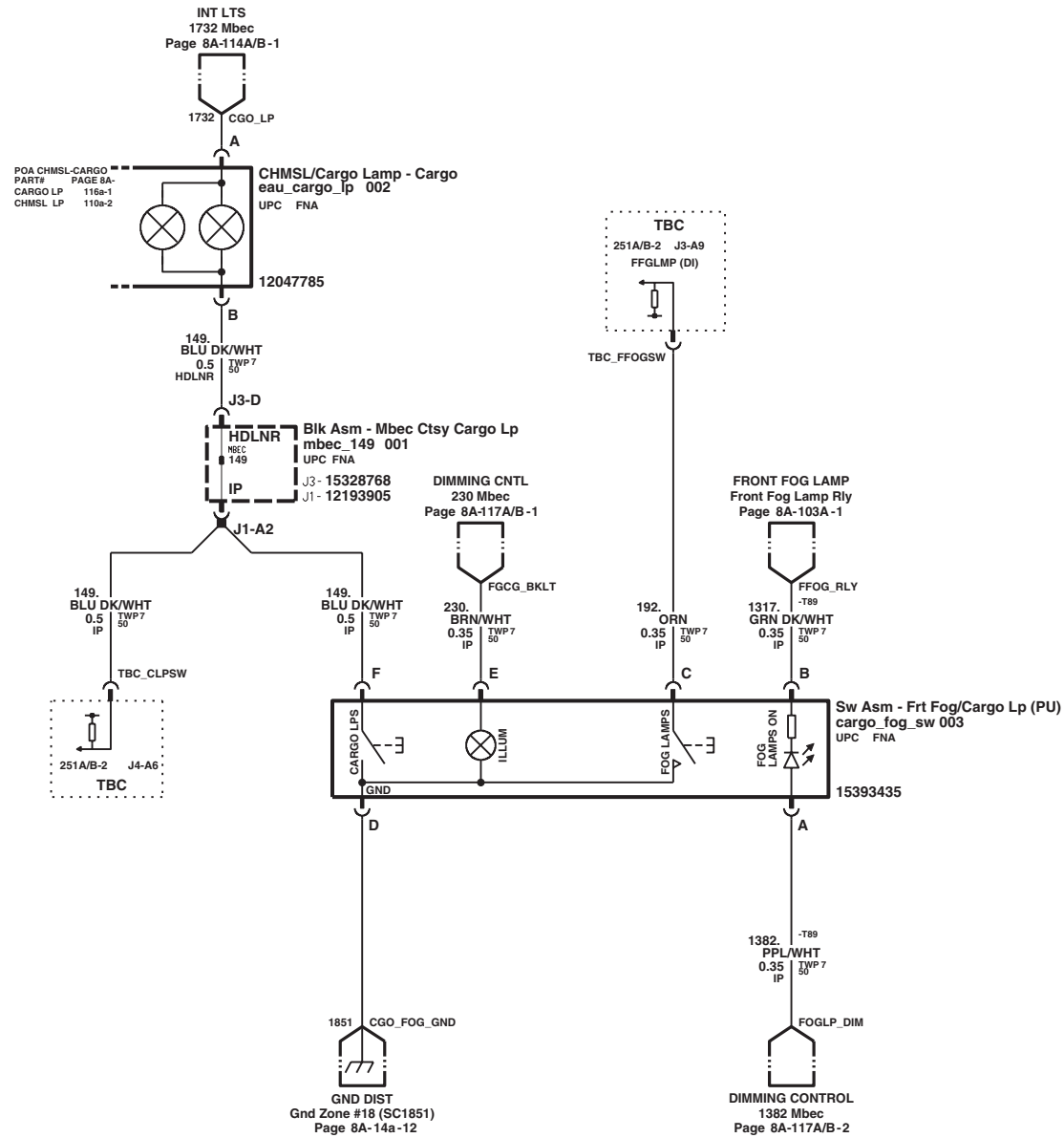
OBJECT ID  
k33114b  
SIVEDWORK/k33114b\_010

REVISION STAGE VERSION LAST CHANGED BY  
010 PROD 1  
Tuesday, January 21, 2003

1:57:14 pm

ORGANIZATION  
CKMCE  
Panel Set: 3

## Cargo Lamp SW (Pickup)



**CARGO LAMP SW (PU)**

CK EAU 03 X 803/43/53  
Panel Set: 1 schematic sheet1 90

OBJECT ID  
k33116a

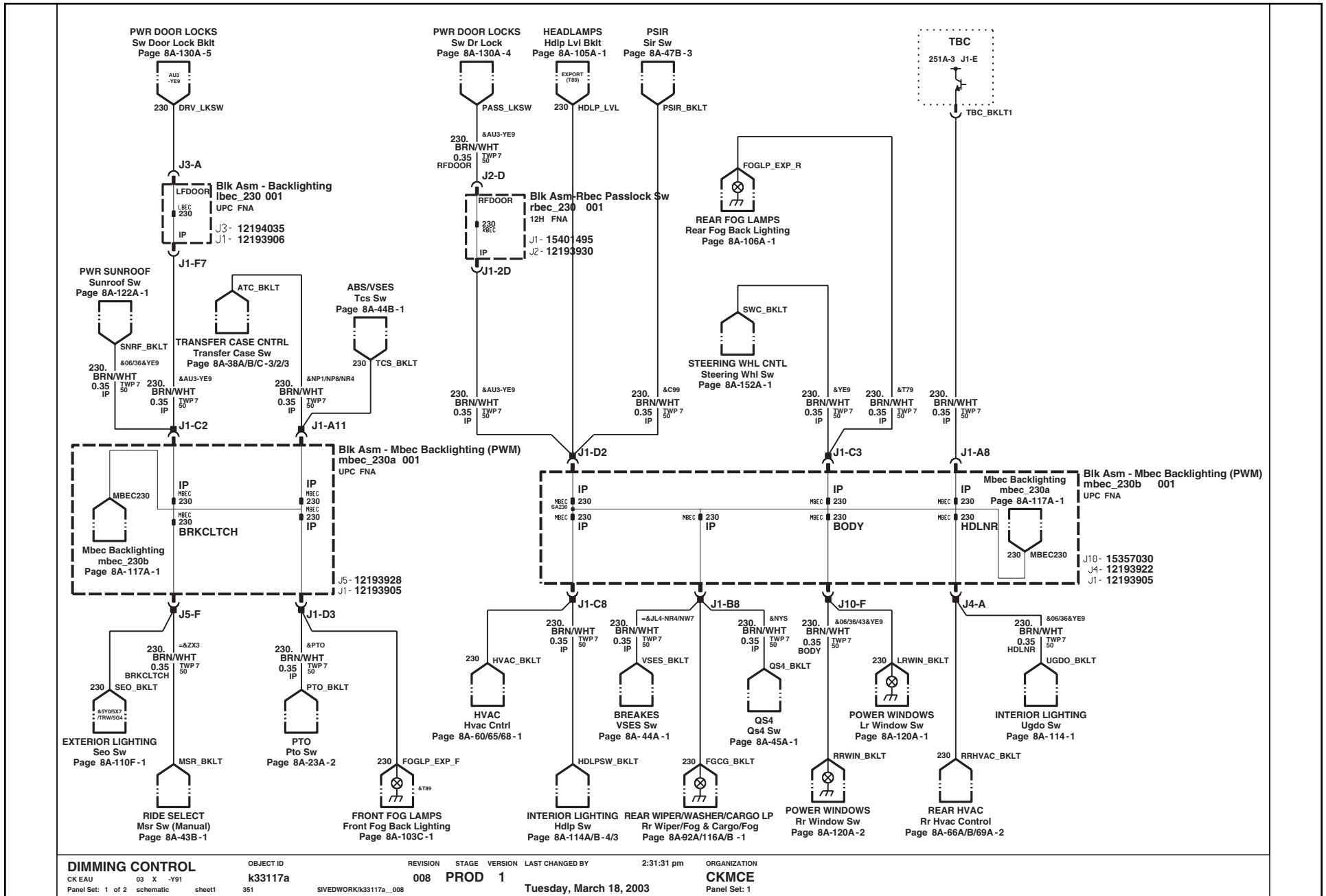
SIVEDWORK/k33116a\_005

REVISION 005 STAGE PROD 1 VERSION 1 LAST CHANGED BY Thursday, January 3, 2002

5:30:14 pm

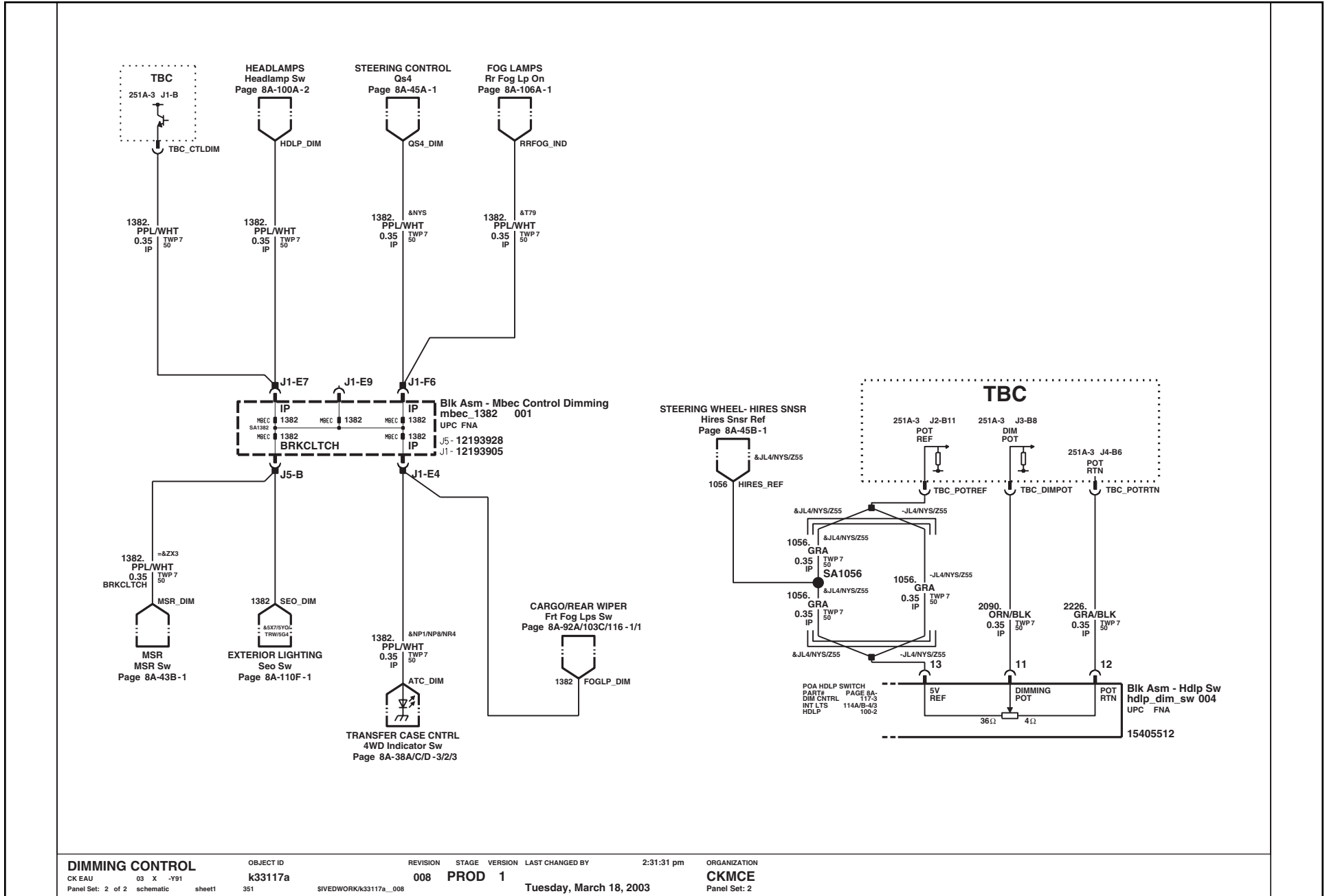
ORGANIZATION  
CKMC03  
Panel Set: 1

## Dimming Control (w/o Y91)



# 2003 & BEYOND LIGHT DUTY C/K FULL-SIZE TRUCK ELECTRICAL

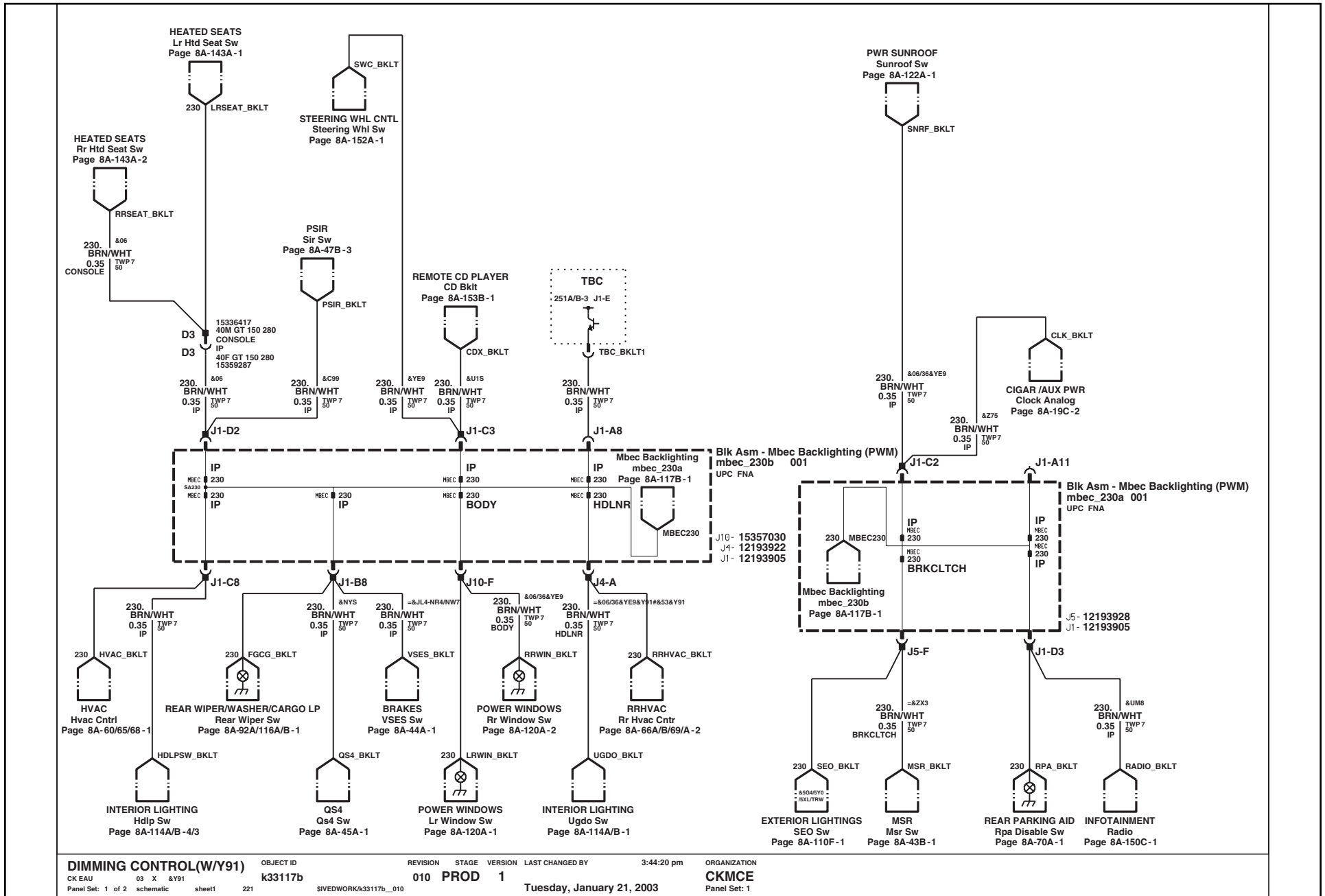
## Dimming Control (w/o Y91)



**DIMMING CONTROL**

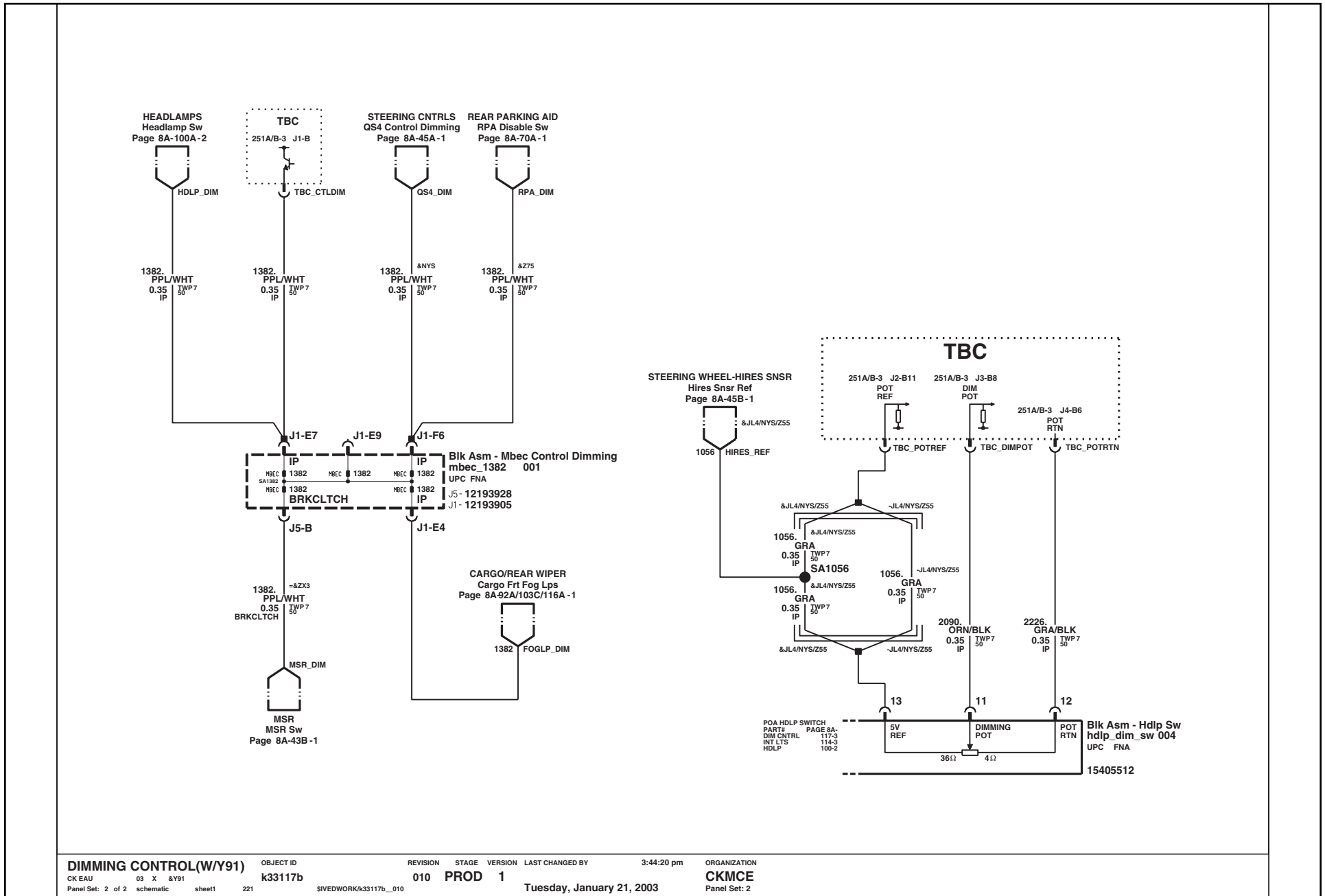
CK EAU 03 X -Y91 k33117a 008 PROD 1 2:31:31 pm ORGANIZATION CKMCE Panel Set: 2 of 2 schematic sheet1 351 SIVEDWORK/K33117a\_008 Tuesday, March 18, 2003 Panel Set: 2

## Dimming Control (w/Y91)





## Dimming Control (w/Y91)



**DIMMING CONTROL(W/Y91)**

CK EAU 03 X &Y91  
Panel Set: 2 of 2 schematic sheet1 221

OBJECT ID  
k33117b

SIVEDWORK/K33117b\_010

REVISION 010 STAGE PROD 1

LAST CHANGED BY  
Tuesday, January 21, 2003

3:44:20 pm

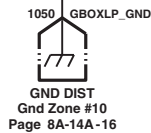
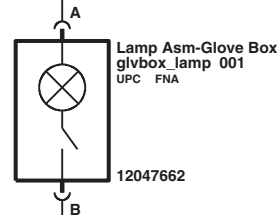
ORGANIZATION  
CKMCE  
Panel Set: 2

## Compartment Lamps

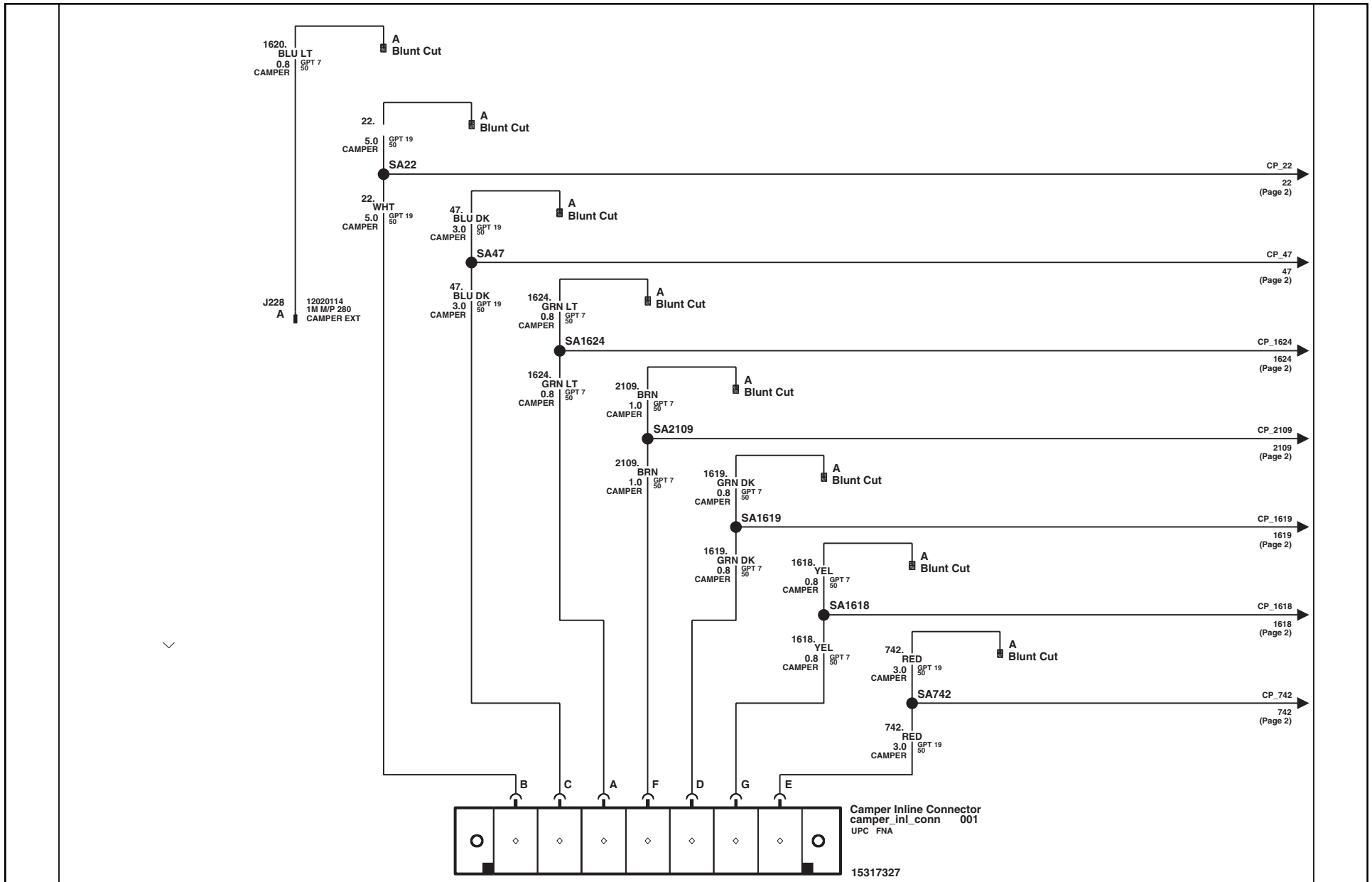
INTERIOR LIGHTING  
Mbec 1732  
Page 8A-114A/B-1



1732 -806/36/43#803/53&YE9  
ORN  
0.35 TWP 7  
IP



## Trailer and Camper Wiring



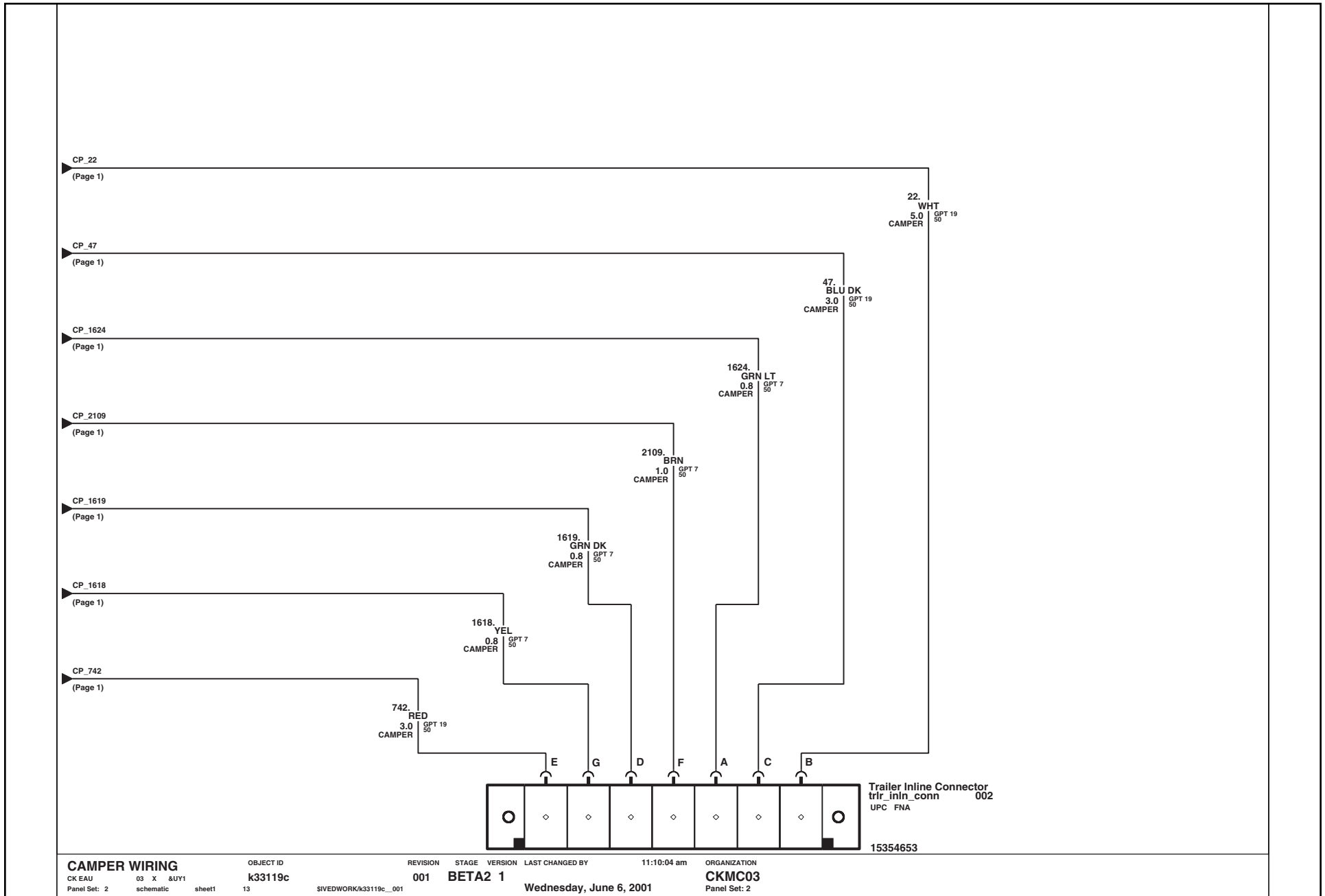
**CAMPER WIRING**  
 CK EAU 03 X &UY1  
 Panel Set: 1 schematic sheet1 13

OBJECT ID  
 k33119c  
 SIVEDWORK/k33119c\_001

REVISION 001  
 STAGE BETA2 1  
 LAST CHANGED BY Wednesday, June 6, 2001

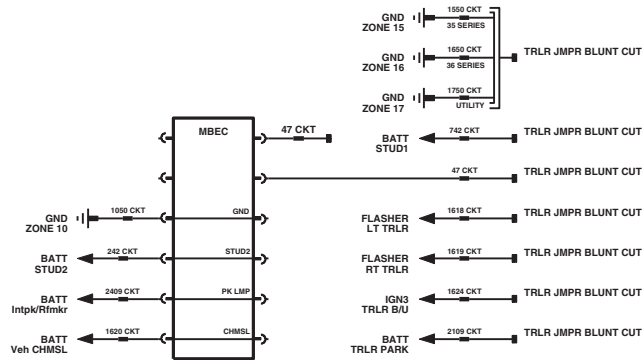
11:10:04 am  
 ORGANIZATION CKMC03  
 Panel Set: 1

## Trailer and Camper Wiring

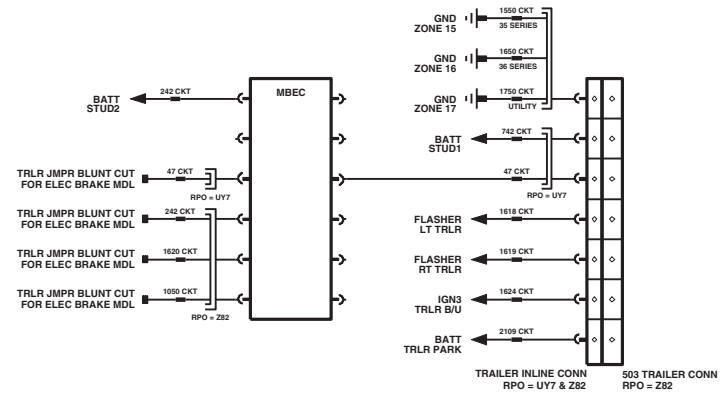


## Trailer and Camper Wiring

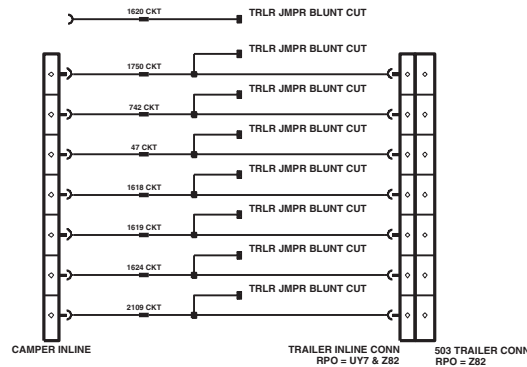
### EXPORT TRAILERING



### HEAVY DUTY TRAILERING



### CAMPER TRAILERING

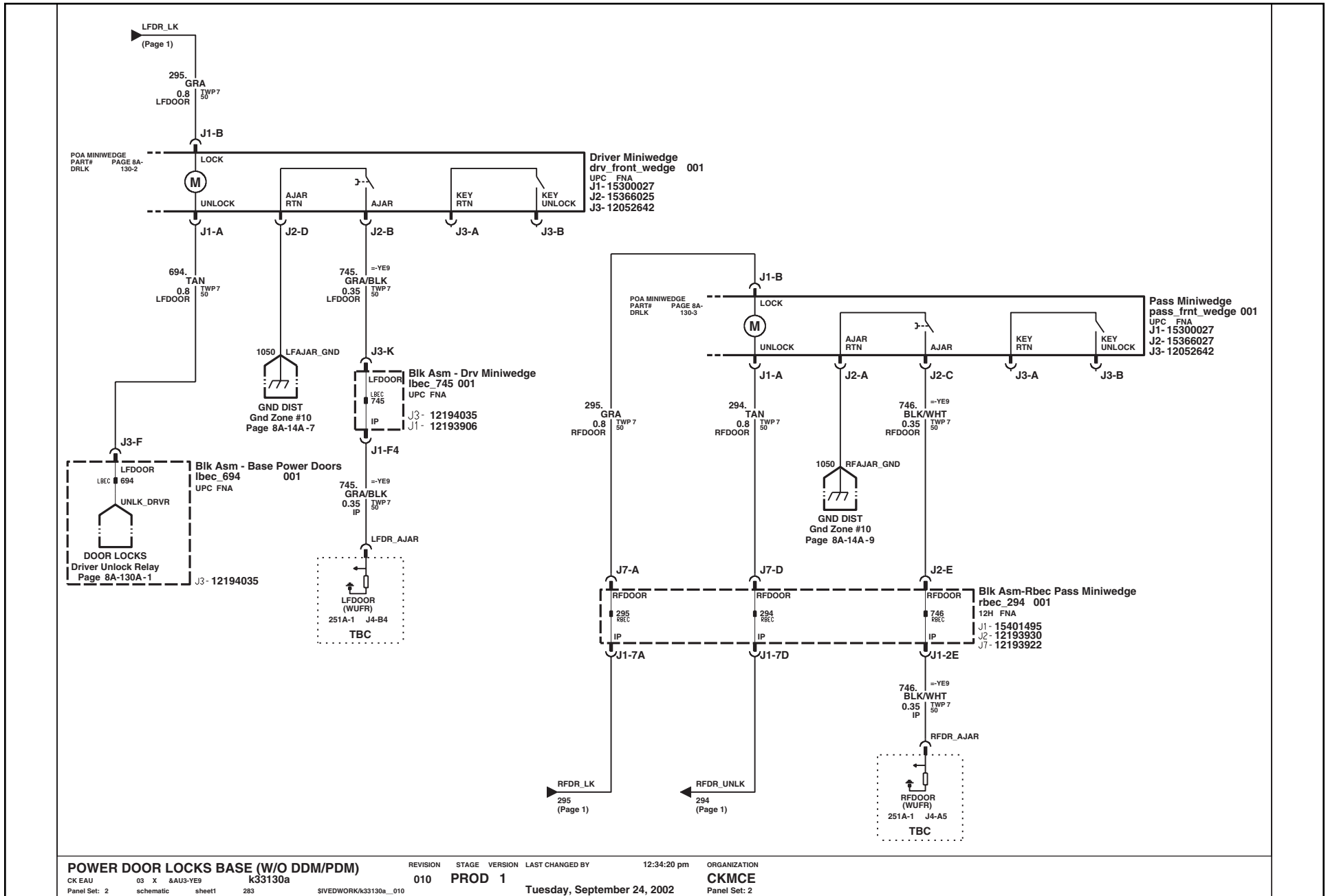


FEATURES:  
TRAILER HARNESSES:  
EXPORT  
HEAVY DUTY  
CAMPER

CLASS-2:  
N/A

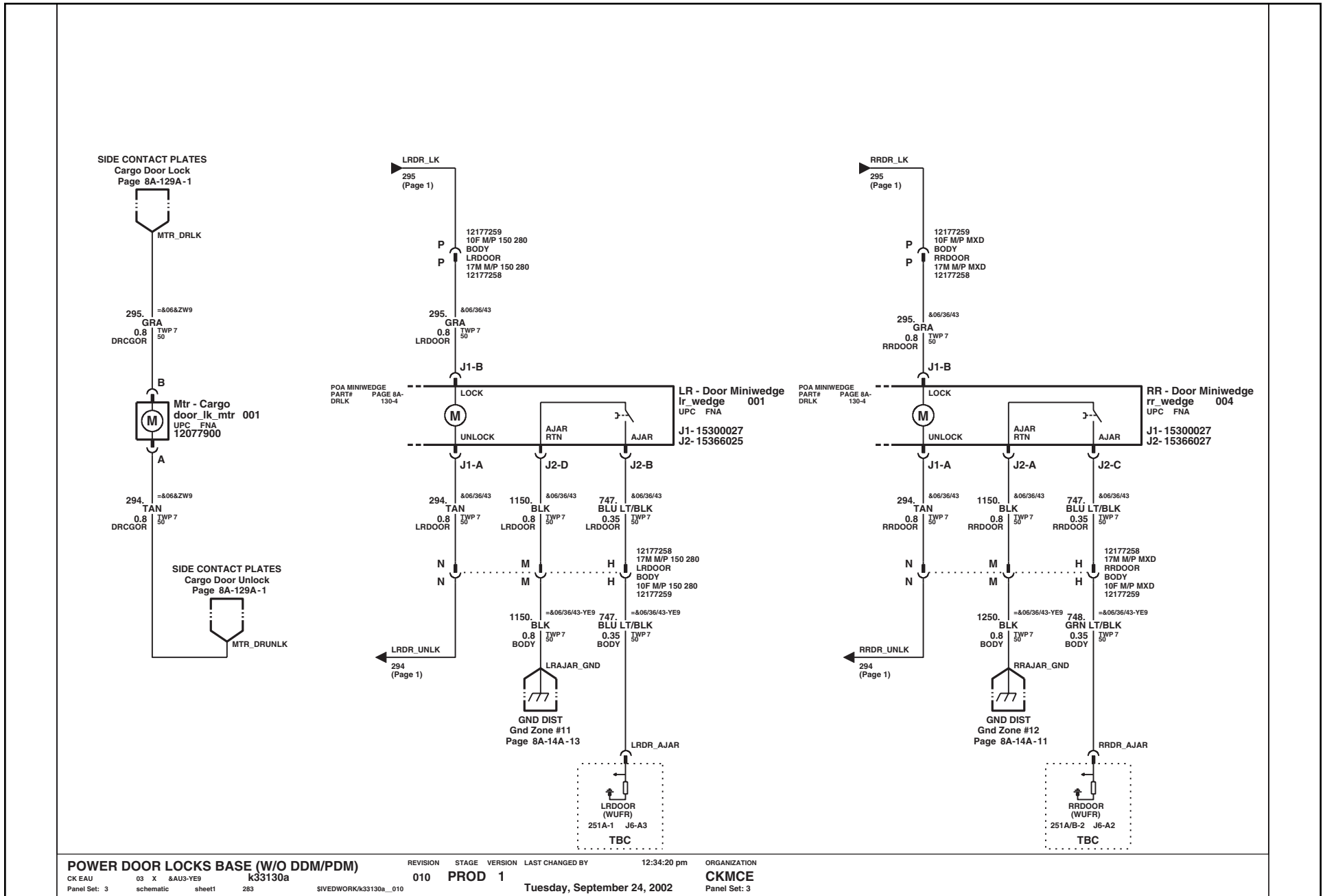


## Power Door Locks: Base (w/o DDM/PDM)



# 2003 & BEYOND LIGHT DUTY C/K FULL-SIZE TRUCK ELECTRICAL

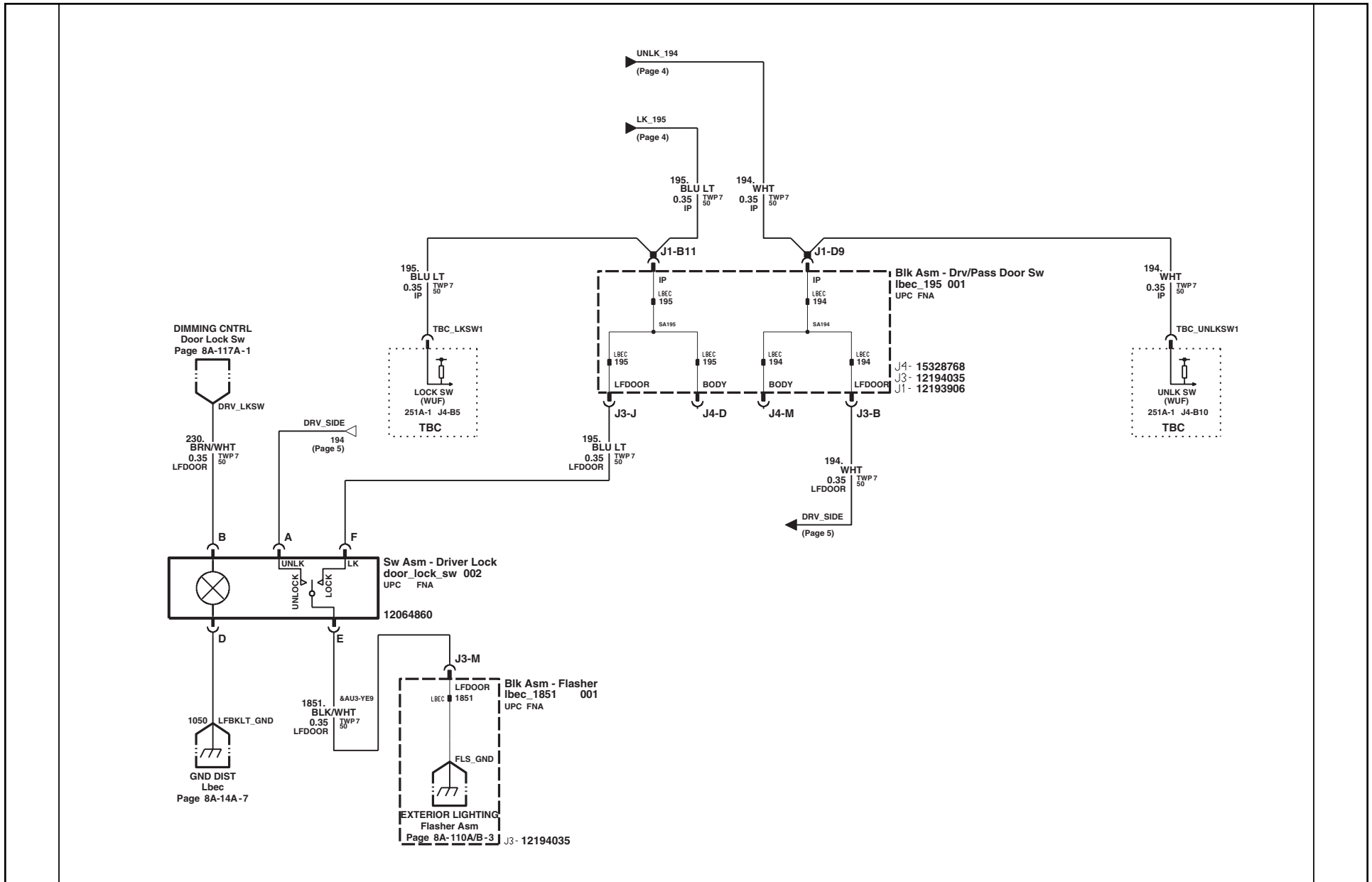
## Power Door Locks: Base (w/o DDM/PDM)







## Power Door Locks: Base (w/o DDM/PDM)



**POWER DOOR LOCKS BASE (W/O DDM/PDM)**

CK EAU 03 X &AUS-YES k33130a  
 Panel Set: 5 schematic sheet1 283

REVISION 010 STAGE PROD 1 VERSION 1 LAST CHANGED BY

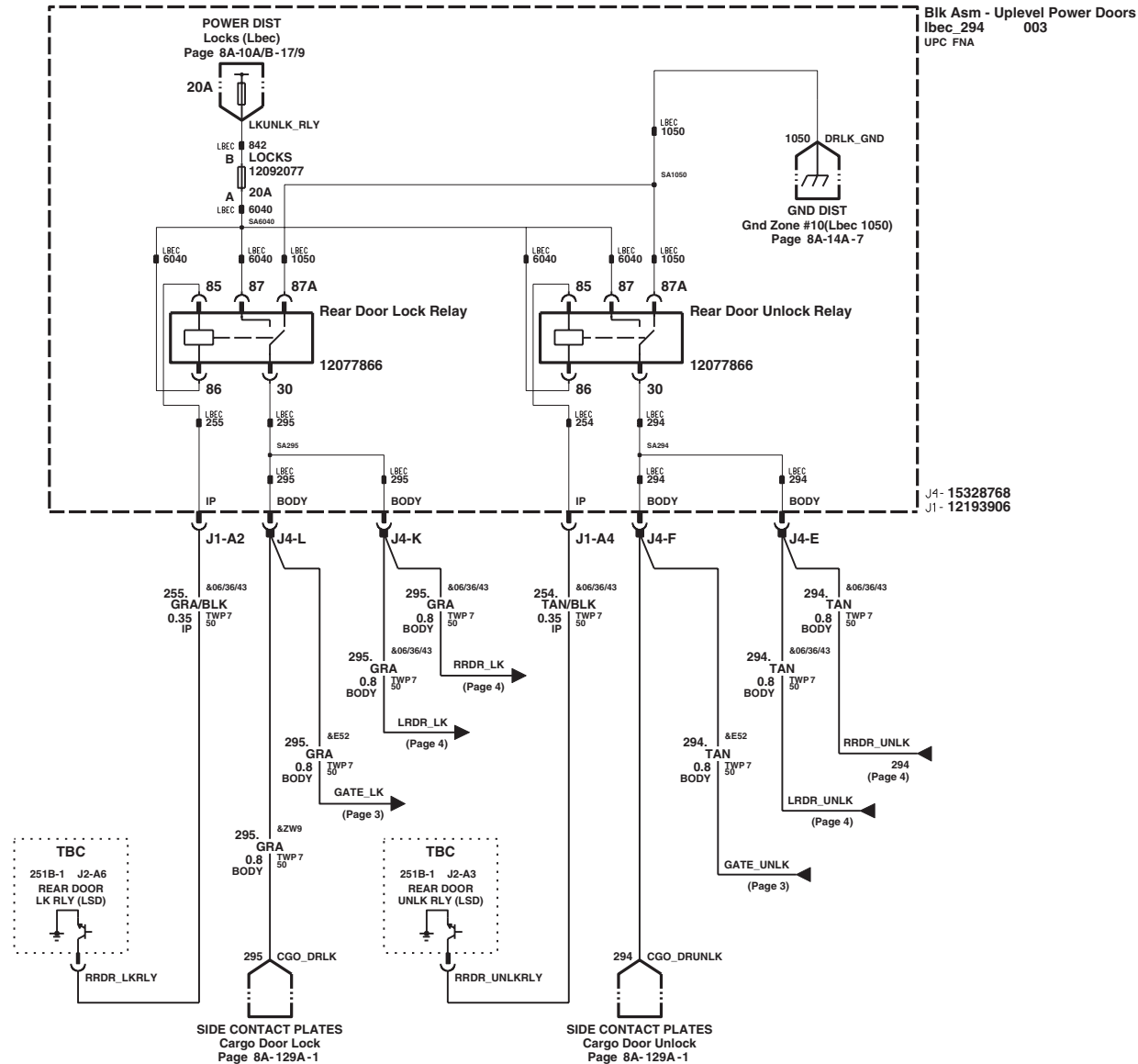
12:34:20 pm

ORGANIZATION CKMCE  
 Panel Set: 5

SIVEDWORK/k33130a\_010

Tuesday, September 24, 2002

## Power Door Locks: Uplevel (w/ DDM/PDM)



**POWER DOOR LOCKS UPLEVEL (W/DDM/PDM)**

CK EAU 03 X &YE9 k33130b  
Panel Set: 1 schematic sheet1 204

REVISION STAGE VERSION LAST CHANGED BY

011 PROD 1

12:53:13 pm

ORGANIZATION

CKMCE

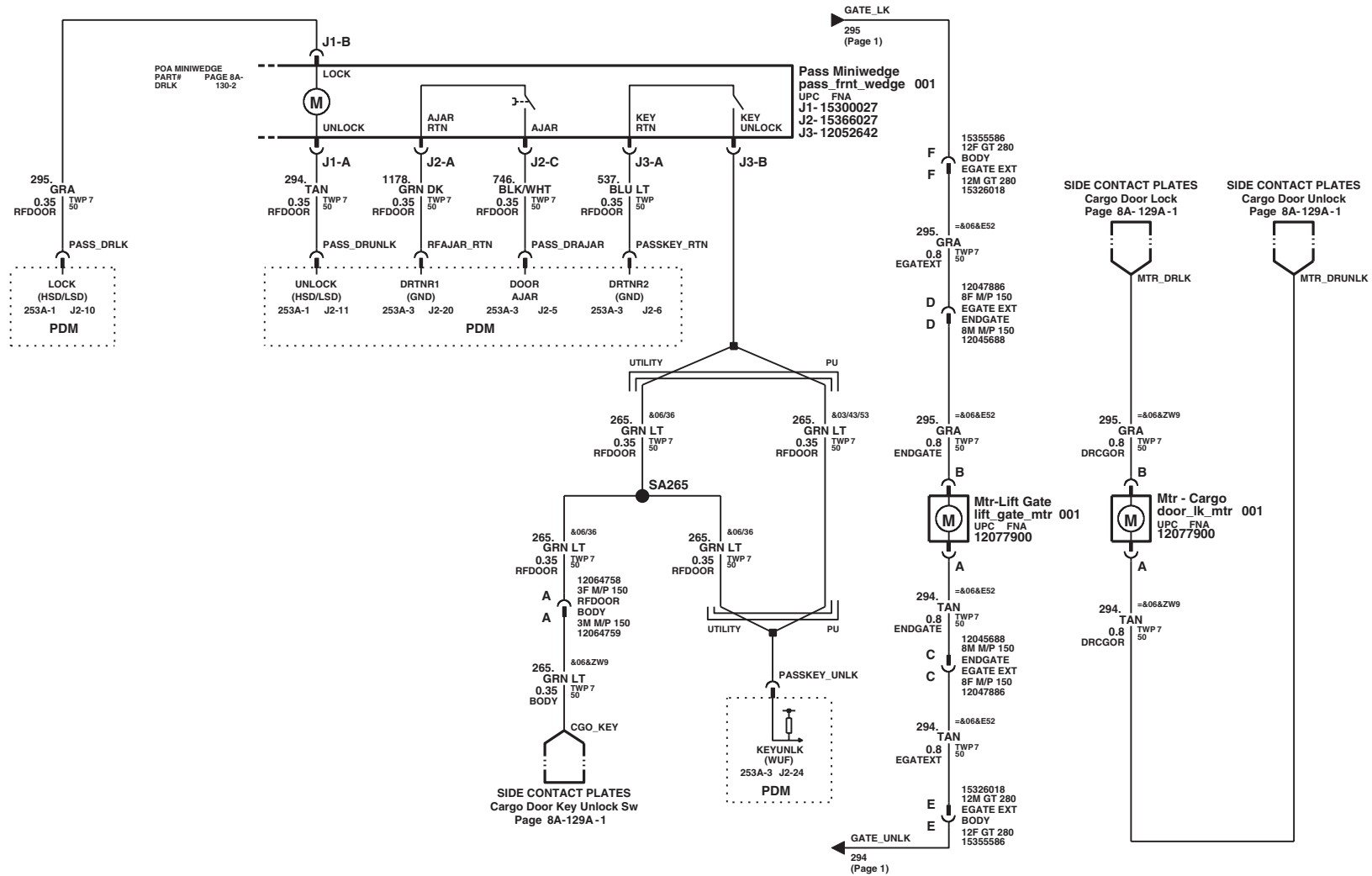
Panel Set: 1

SIVEDWORK/k33130b\_011

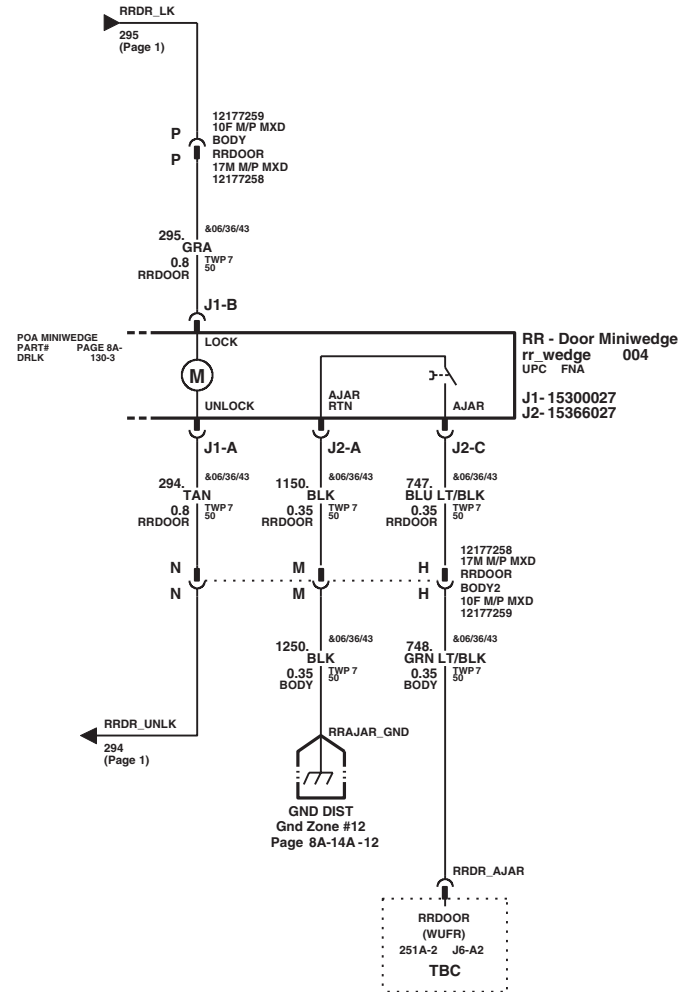
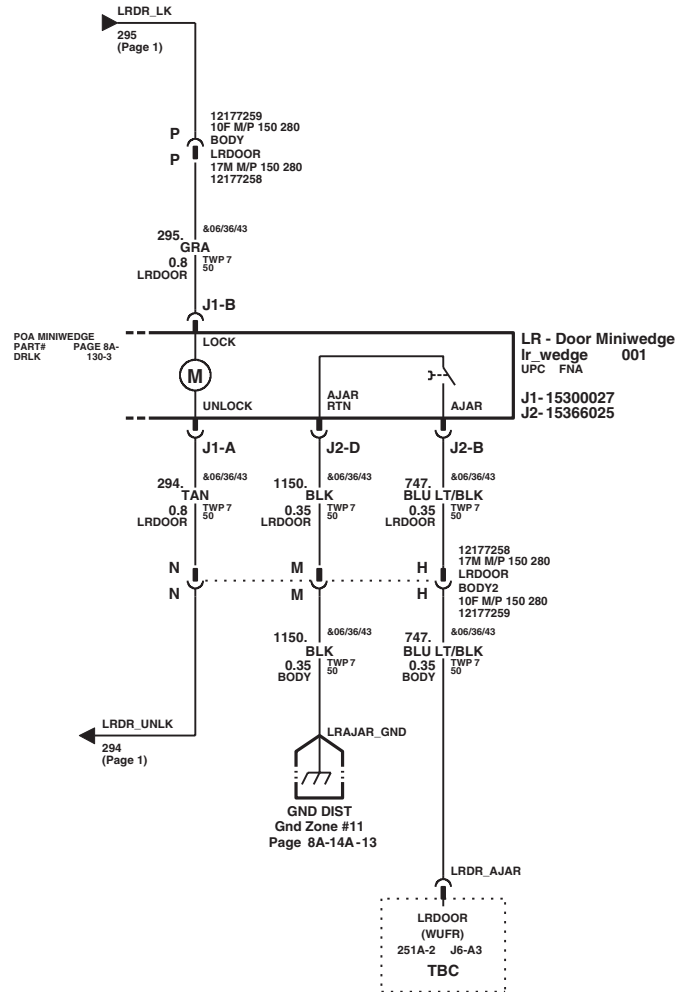
Tuesday, September 24, 2002



## Power Door Locks: Uplevel (w/ DDM/PDM)



## Power Door Locks: Uplevel (w/ DDM/PDM)



**POWER DOOR LOCKS UPLEVEL (W/DDM/PDM)**

CK EAU 03 X &YE9 k33130b  
Panel Set: 4 schematic sheet1 204

REVISION 011 STAGE PROD 1

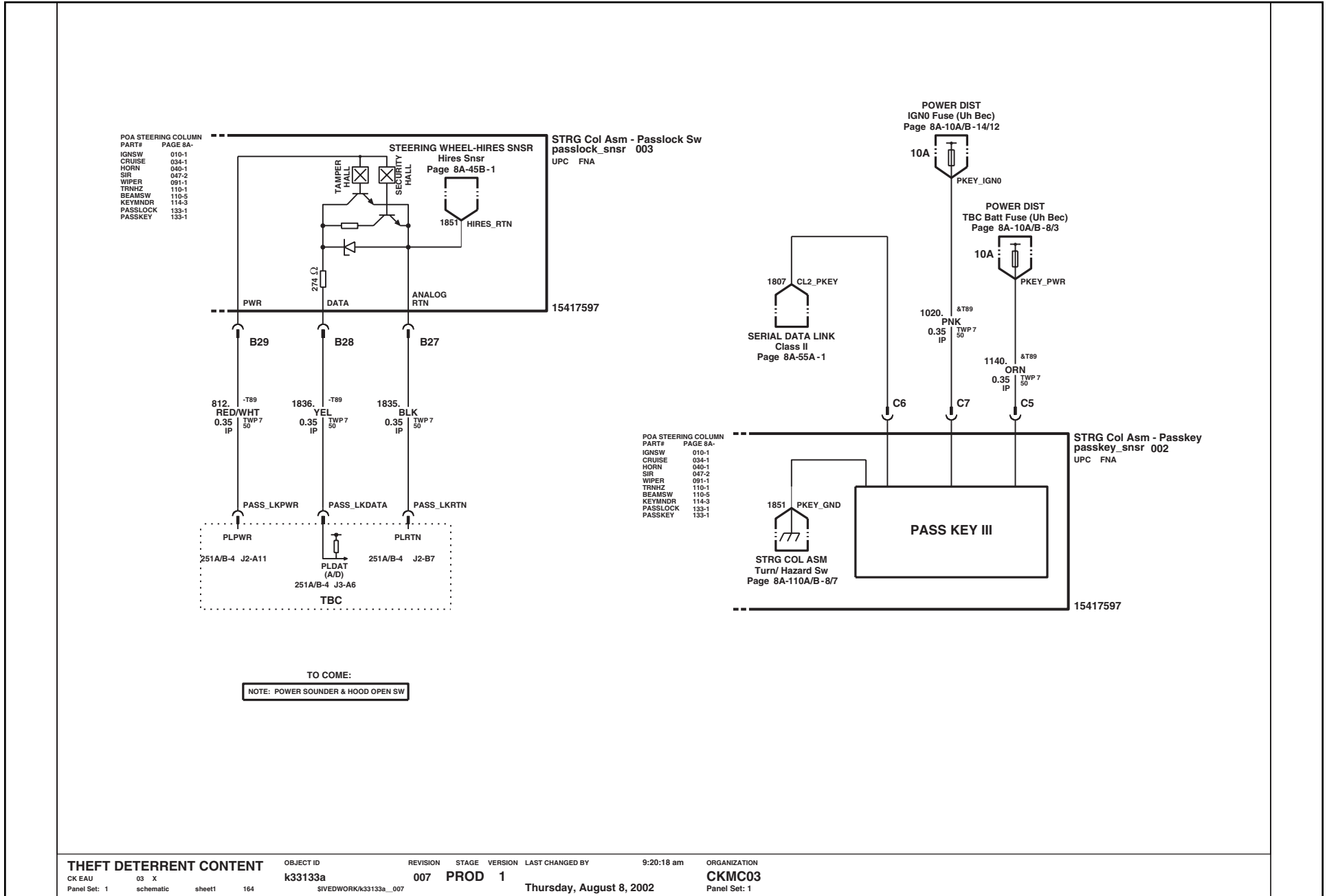
12:53:13 pm

ORGANIZATION CKMCE  
Panel Set: 4

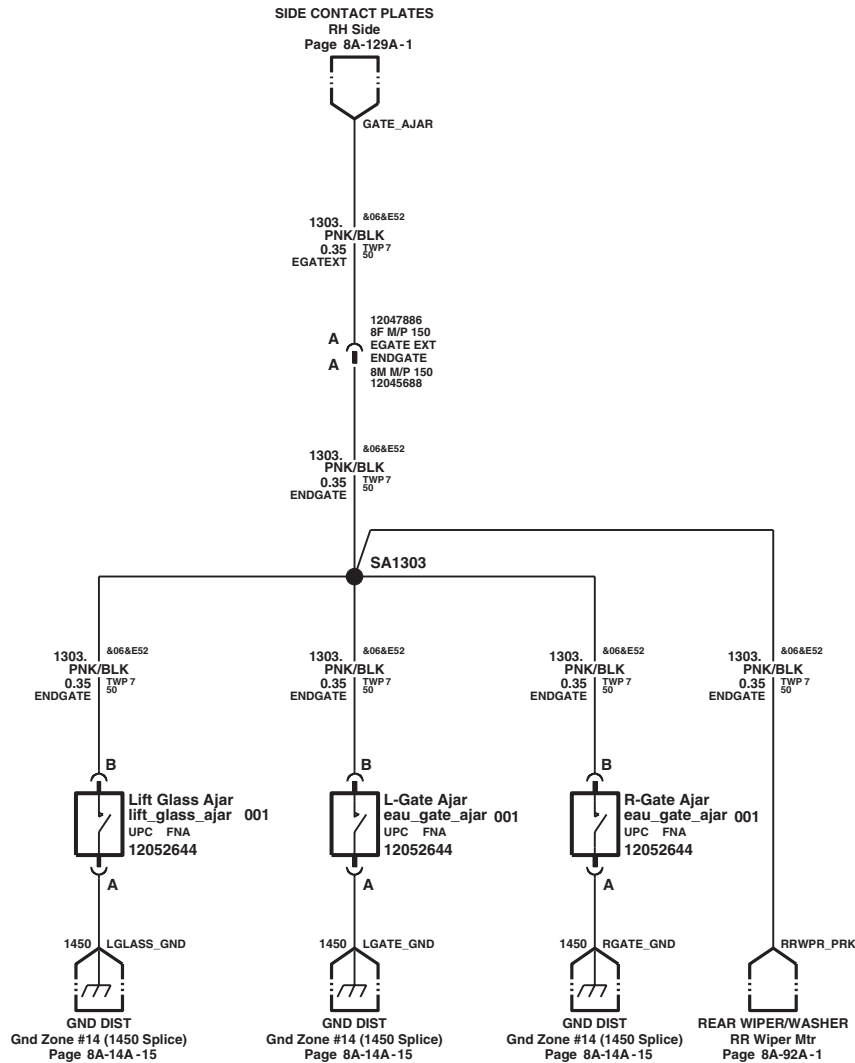
SIVEDWORK/k33130b\_011

Tuesday, September 24, 2002

## Theft Deterrent Content

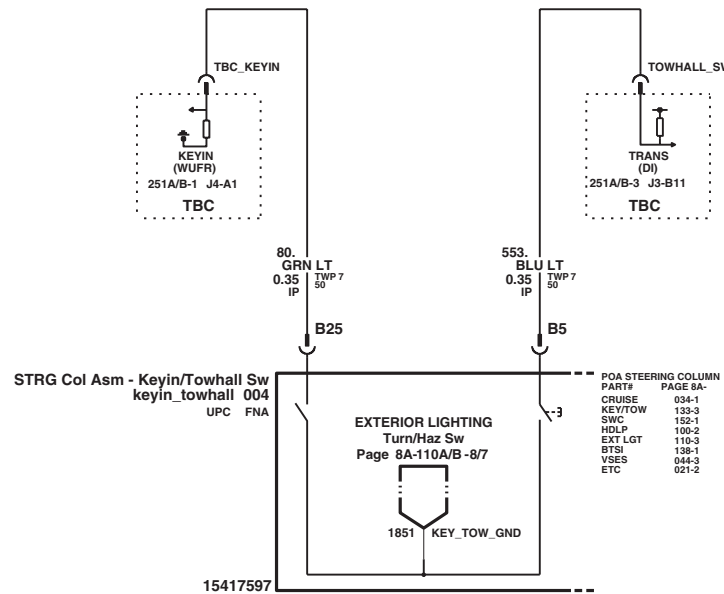


## Theft Deterrent Content





## Theft Deterrent Content



**THEFT DETERRENT CONTENT**

CK EAU 03 X  
Panel Set: 3 schematic sheet1 164

OBJECT ID  
k33133a

SIVEDWORK/k33133a\_007

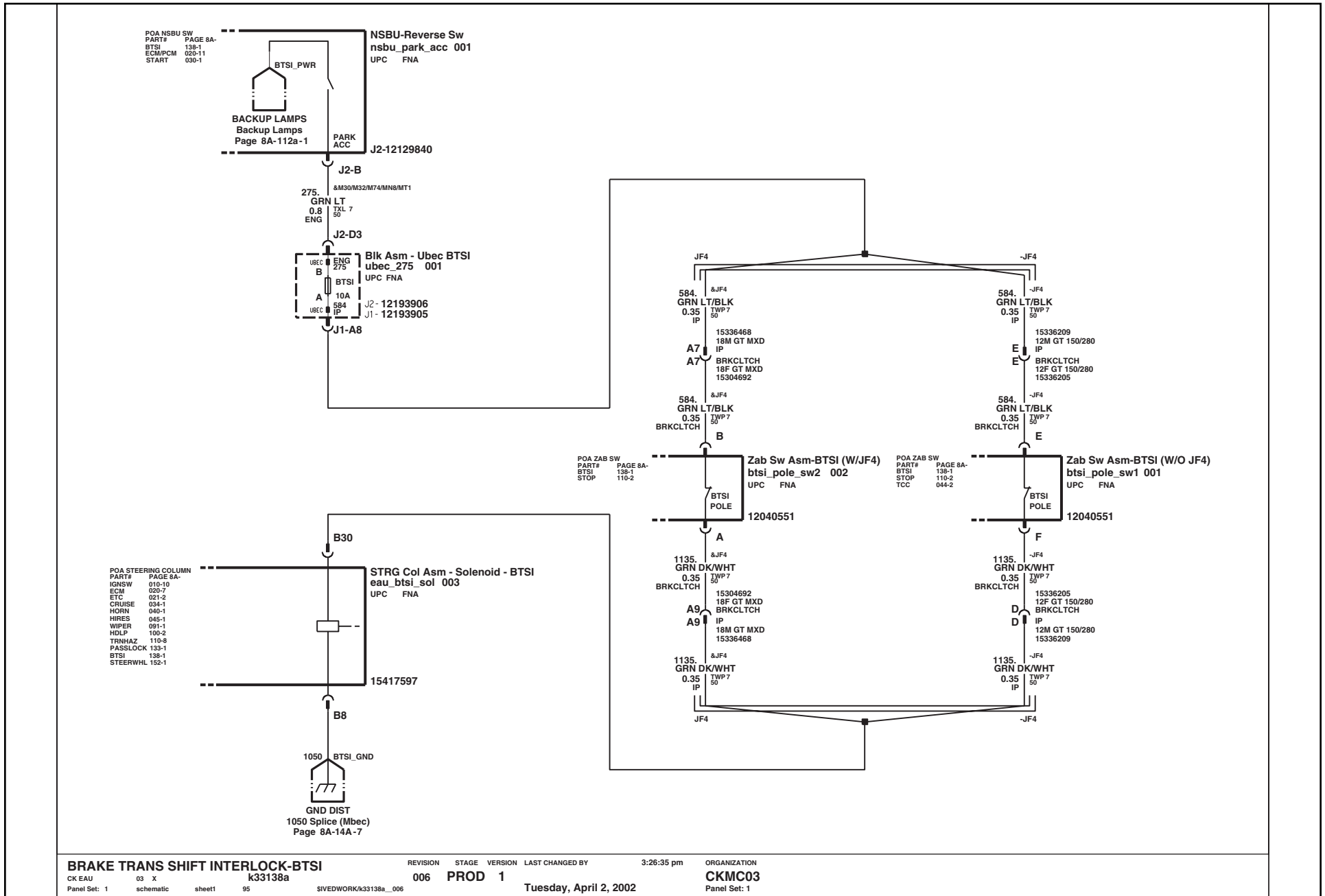
REVISION STAGE VERSION LAST CHANGED BY  
007 PROD 1

Thursday, August 8, 2002

9:20:18 am

ORGANIZATION  
CKMC03  
Panel Set: 3

## Brake Trans Shift Interlock (BTSI)



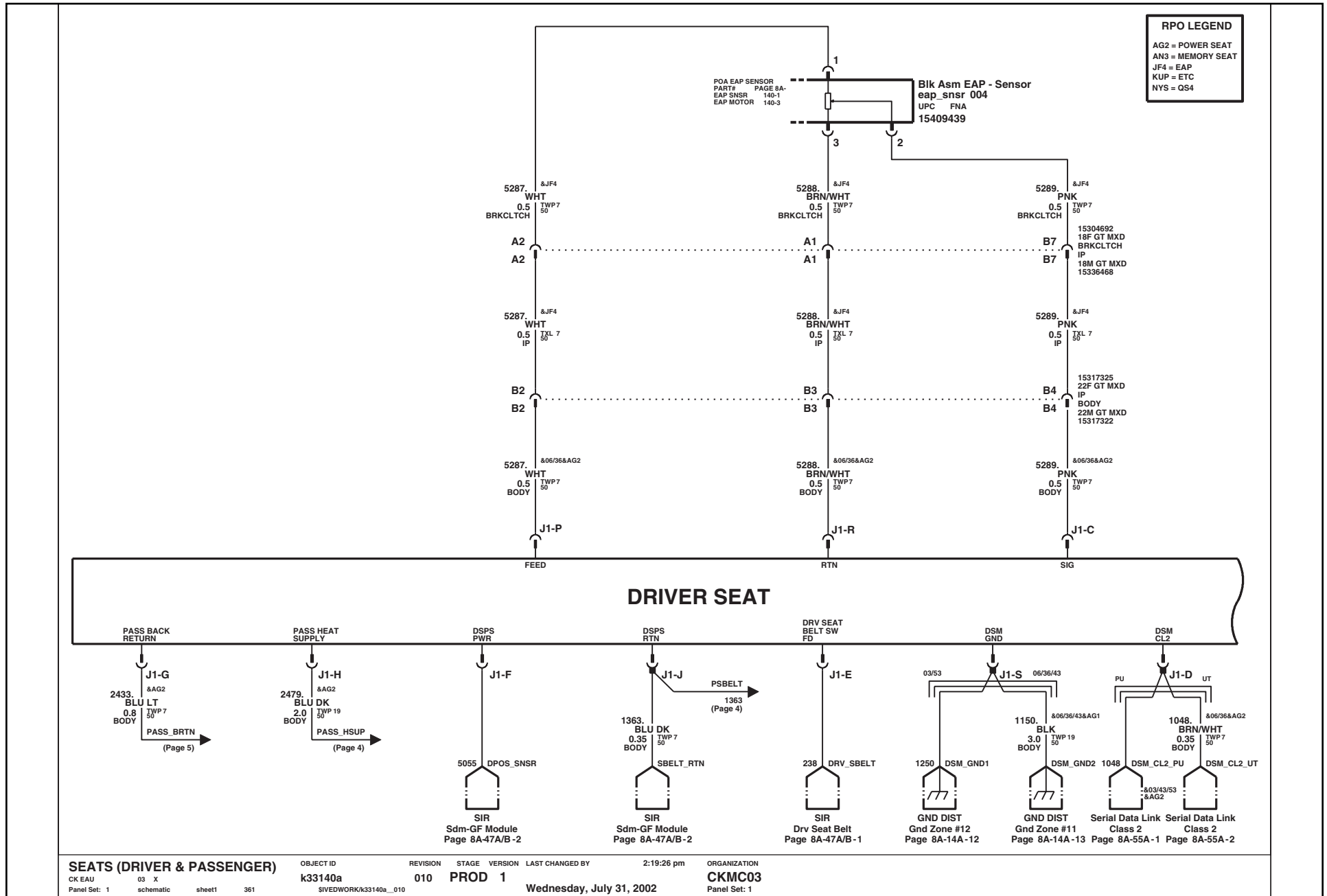
**BRAKE TRANS SHIFT INTERLOCK-BTSI**

CK EAU 03 X k33138a  
Panel Set: 1 schematic sheet1 95

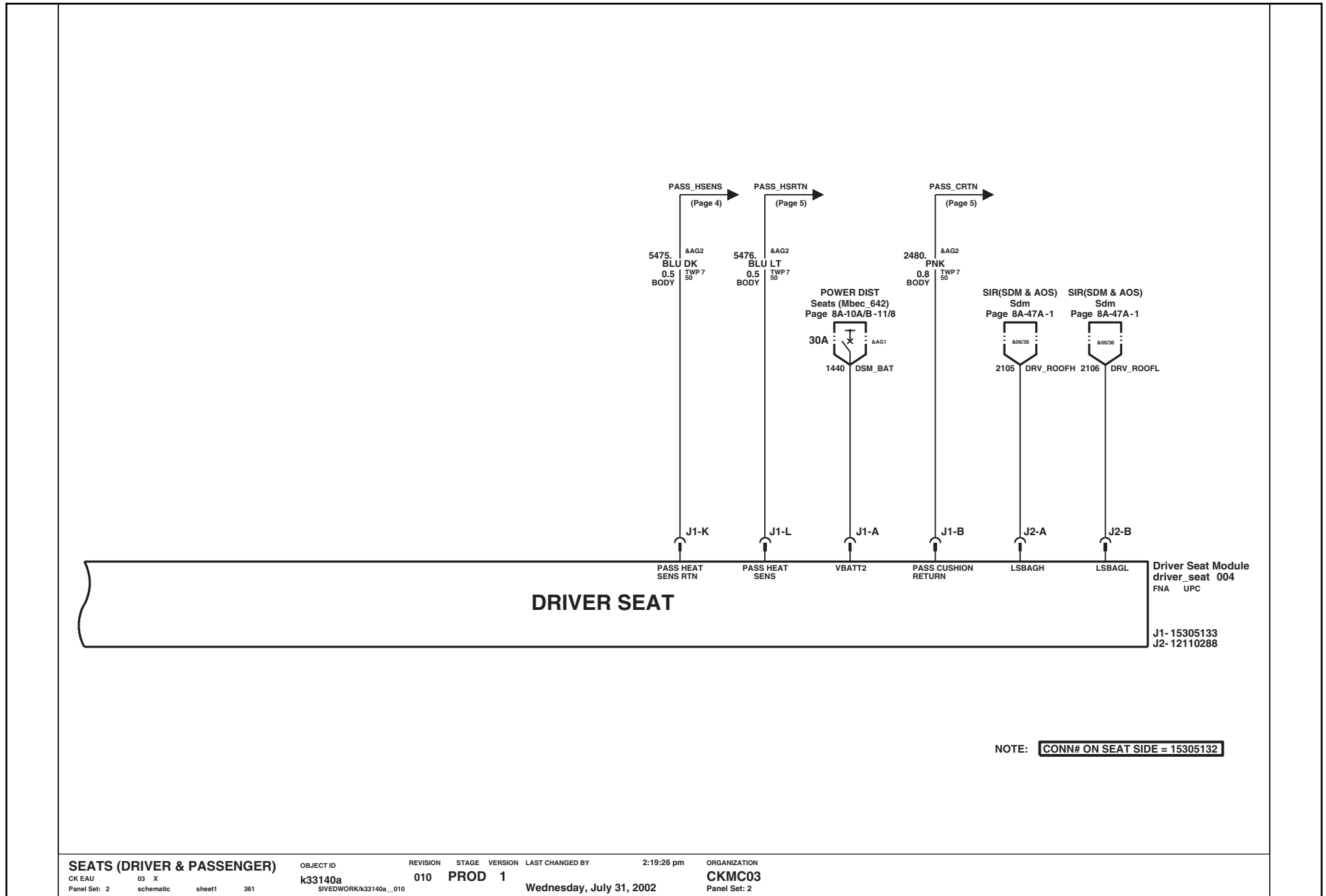
REVISION STAGE VERSION LAST CHANGED BY  
006 PROD 1  
Tuesday, April 2, 2002

3:26:35 pm ORGANIZATION  
CKMC03  
Panel Set: 1

## Seats (Driver and Passenger)



## Seats (Driver and Passenger)



SEATS (DRIVER & PASSENGER)

CK EAU 03 X  
Panel Set: 2 schematic sheet1 361

OBJECT ID

k33140a  
SIVEDWORK/k33140a\_010

REVISION STAGE VERSION LAST CHANGED BY

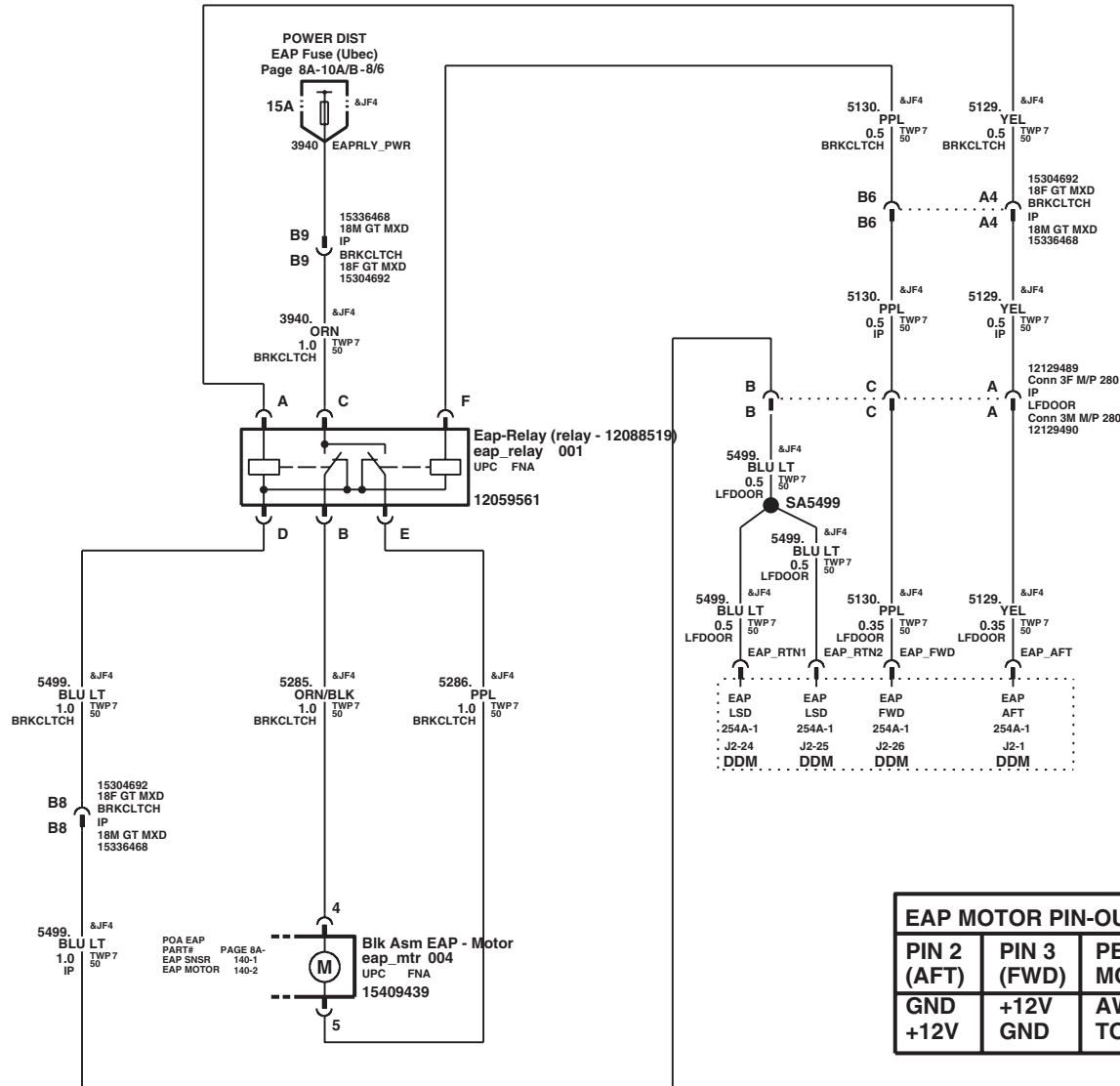
010 PROD 1  
Wednesday, July 31, 2002

2:19:26 pm

ORGANIZATION

CKMC03  
Panel Set: 2

## Seats (Driver and Passenger)



SEATS (DRIVER & PASSENGER)

CK EAU 03 X  
Panel Set: 3 schematic sheet1 361

OBJECT ID

k33140a

SIVEDWORK/k33140a\_010

REVISION STAGE VERSION LAST CHANGED BY

010 PROD 1

Wednesday, July 31, 2002

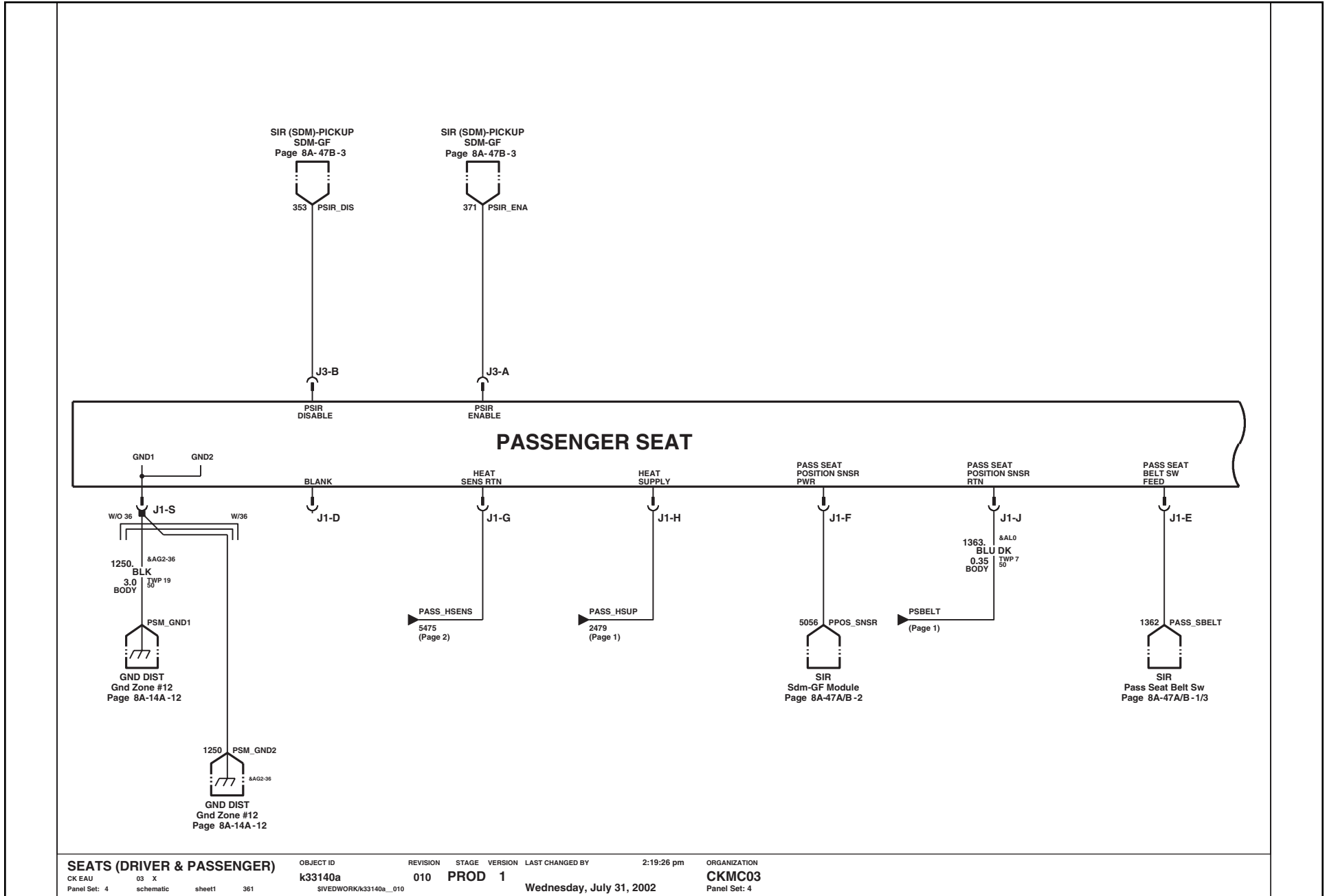
2:19:26 pm

ORGANIZATION

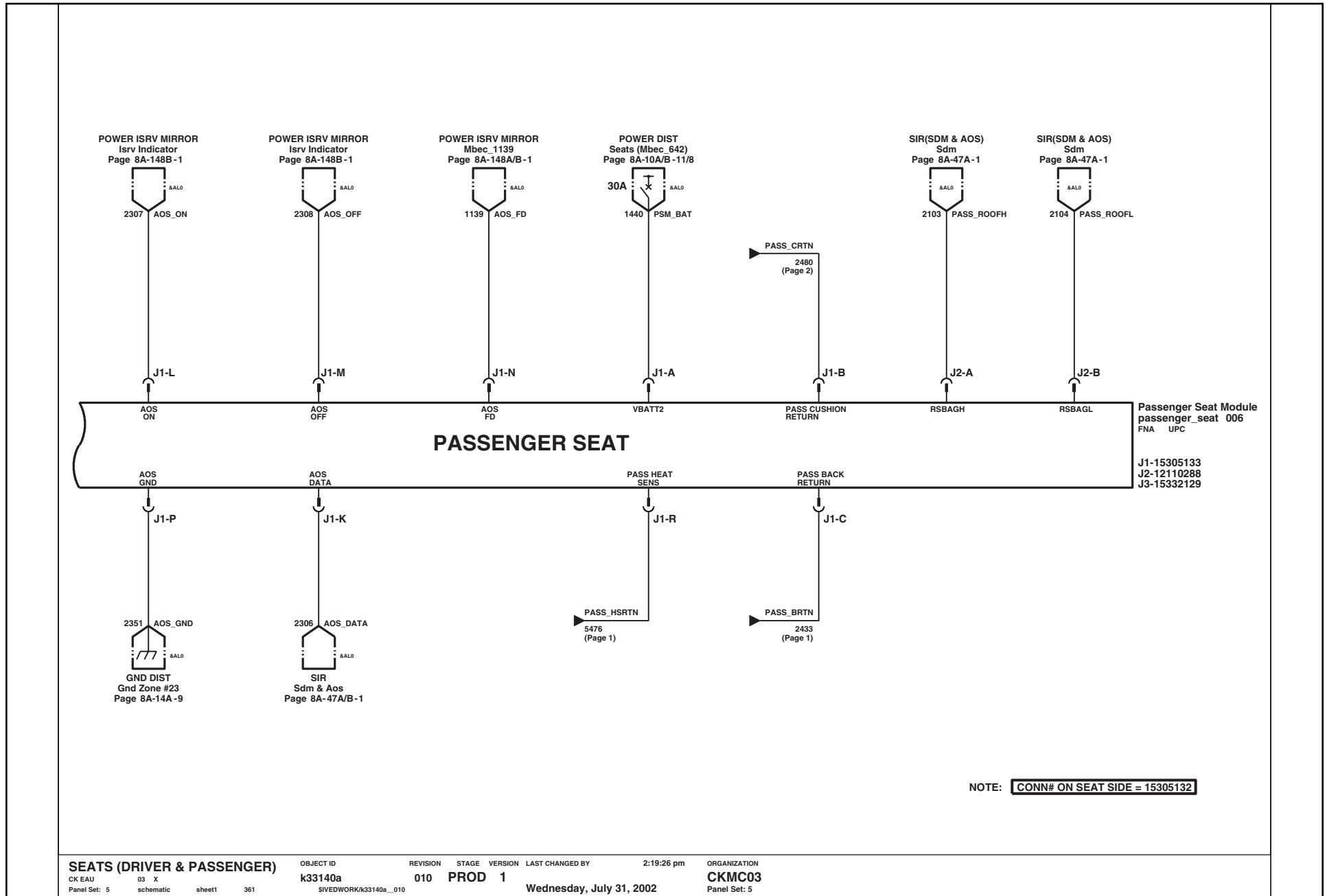
CKMC03

Panel Set: 3

## Seats (Driver and Passenger)



## Seats (Driver and Passenger)



SEATS (DRIVER & PASSENGER)

CK EAU 03 X  
Panel Set: 5 schematic sheet1 361

OBJECT ID  
k33140a

SIVEDWORK/k33140a\_010

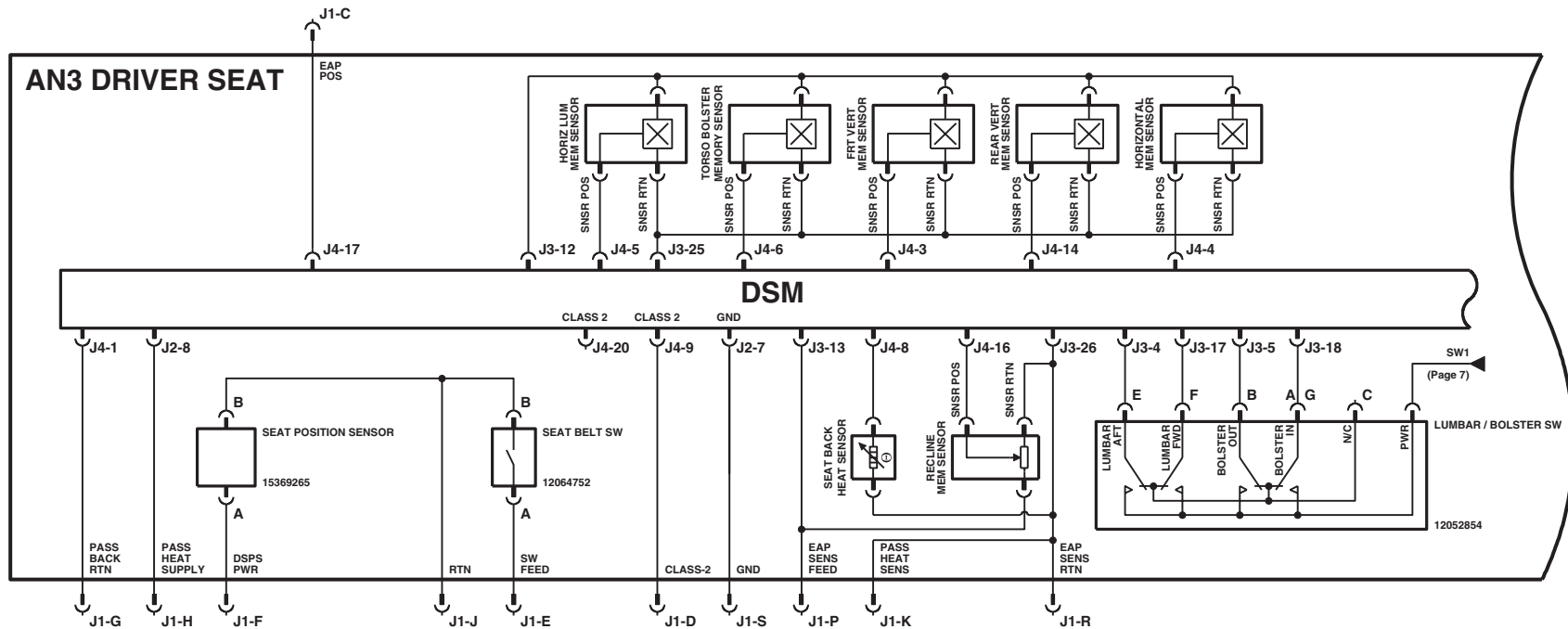
REVISION STAGE VERSION LAST CHANGED BY  
010 PROD 1

Wednesday, July 31, 2002

2:19:26 pm

ORGANIZATION  
CKMC03  
Panel Set: 5

## Seats (Driver and Passenger)



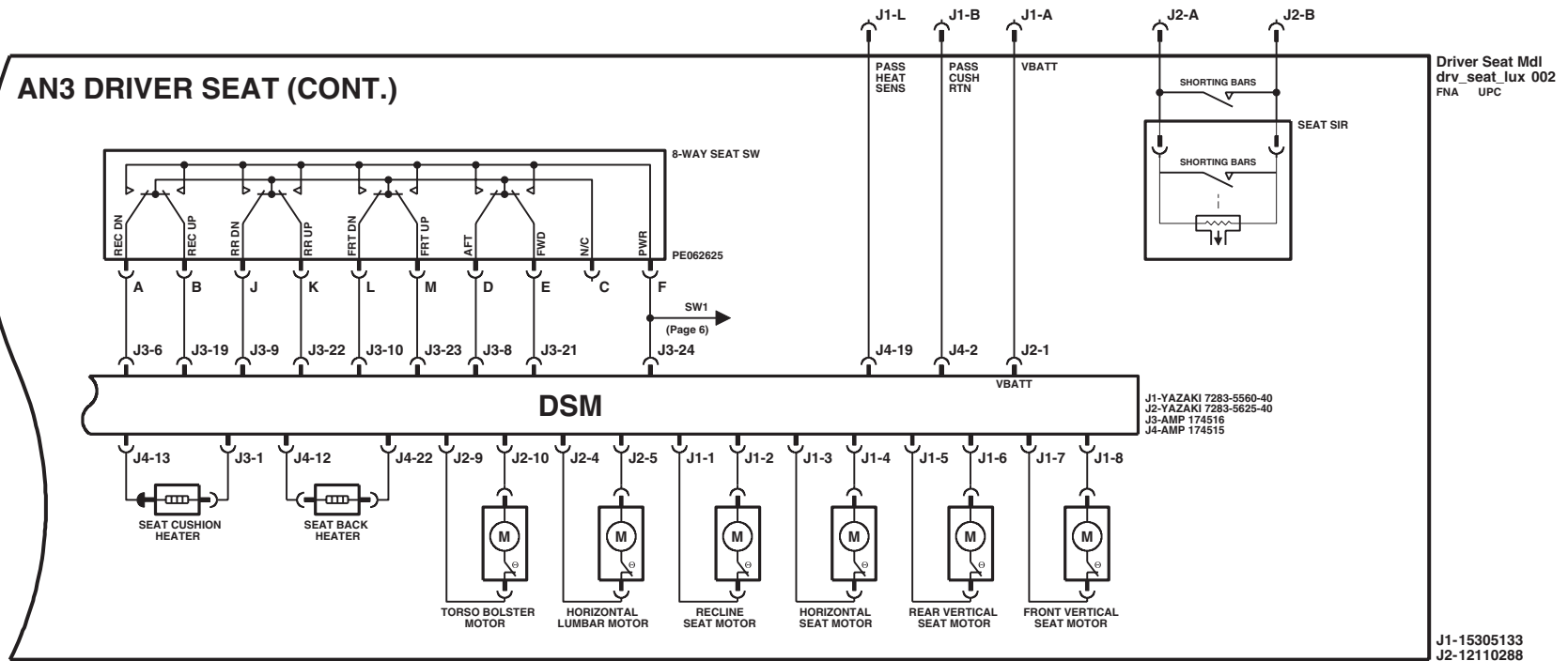
**NOTE: THIS PAGE IS FOR REFERENCE ONLY**

NOTE: **CONN# ON SEAT SIDE = 15305132**



## Seats (Driver and Passenger)

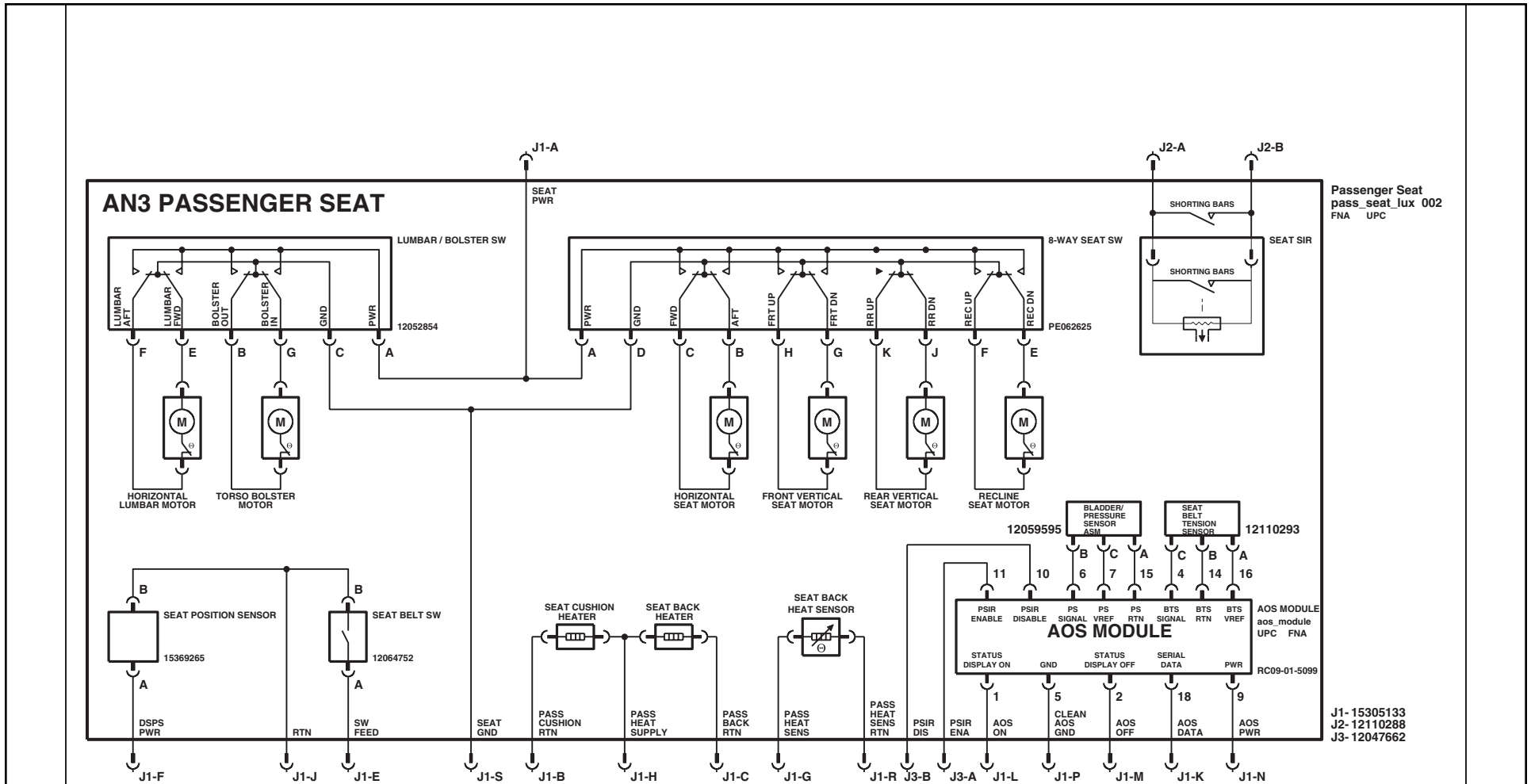
### AN3 DRIVER SEAT (CONT.)



**NOTE: THIS PAGE IS FOR REFERENCE ONLY**

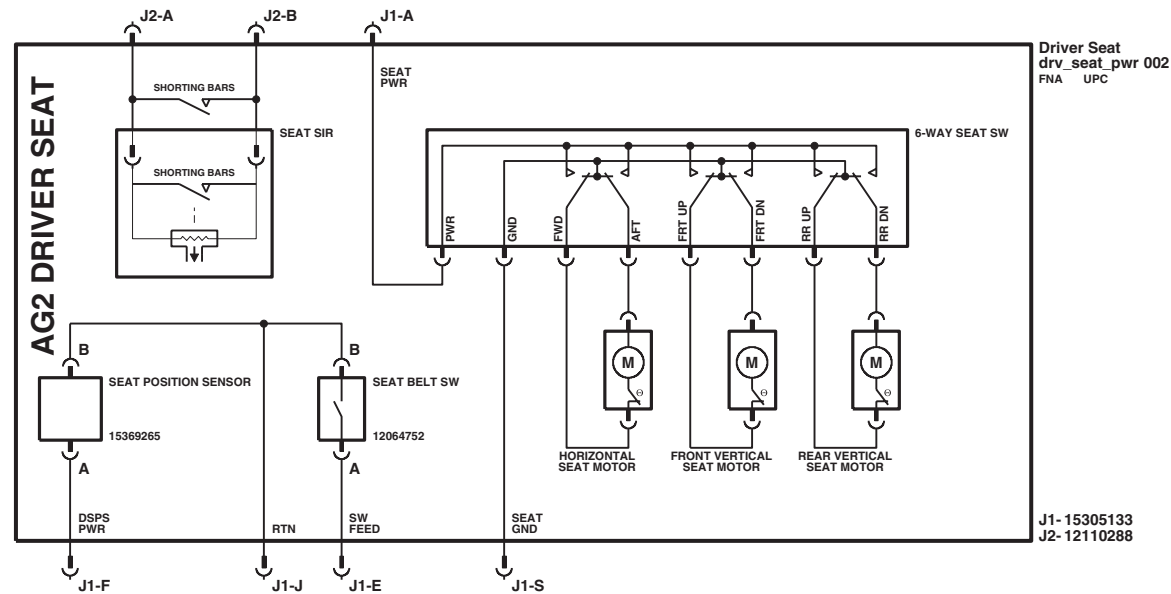
NOTE: **CONN# ON SEAT SIDE = 15305132**

## Seats (Driver and Passenger)



NOTE: J1 ON SEAT SIDE = 15305132  
J3 ON SEAT SIDE = 12047663

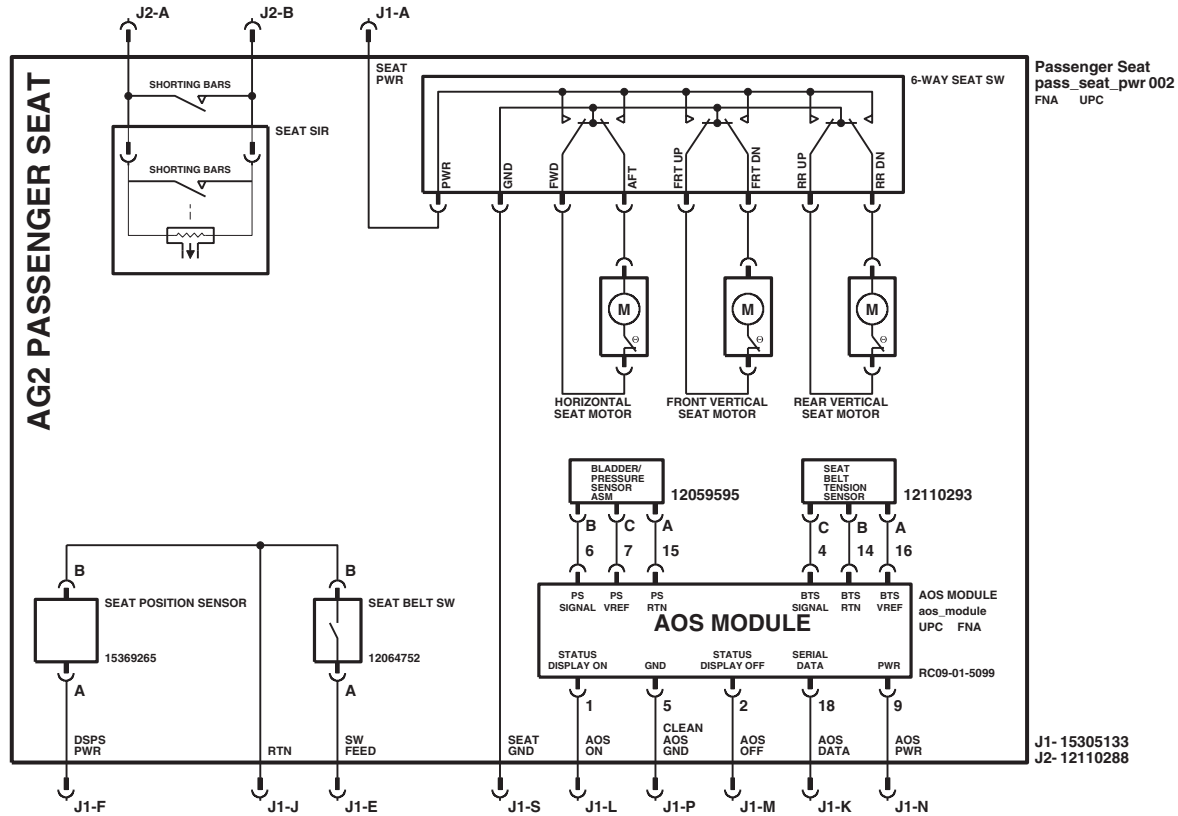
## Seats (Driver and Passenger)



**NOTE: THIS PAGE IS FOR REFERENCE ONLY**

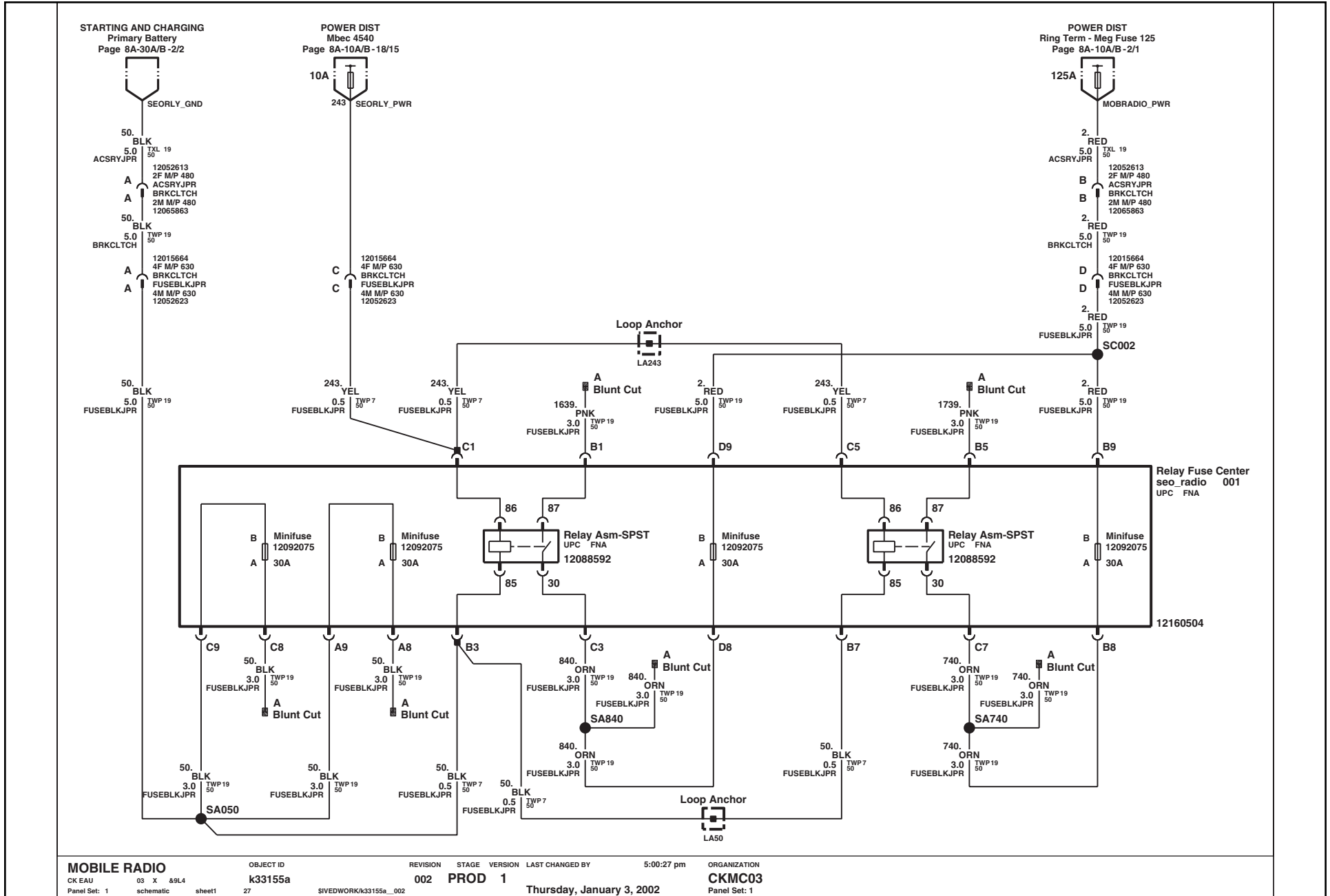
NOTE: **CONN# ON SEAT SIDE = 15305132**

## Seats (Driver and Passenger)



**NOTE: THIS PAGE IS FOR REFERENCE ONLY**

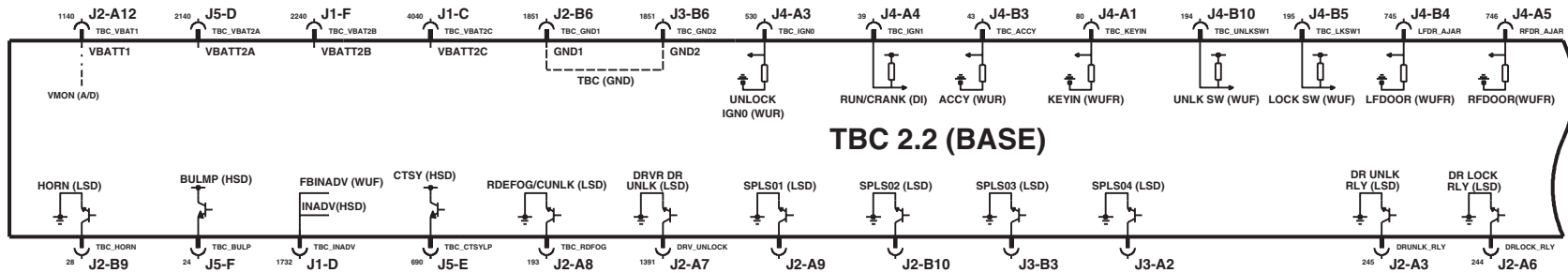
## Mobile Radio



MOBILE RADIO	OBJECT ID	REVISION	STAGE	VERSION	LAST CHANGED BY	5:00:27 pm	ORGANIZATION
CK EAU	k33155a	002	PROD	1			CKMC03
Panel Set: 1	schematic sheet1 27	SIVEDWORK/k33155a_002		Thursday, January 3, 2002			Panel Set: 1

# 2003 & BEYOND LIGHT DUTY C/K FULL-SIZE TRUCK ELECTRICAL

## Truck Body Computer 2.2 (TBC): Base (w/o DDM/PDM)



TBC 2.2 BASE (W/O DDM/PDM)  
CK EAU 03 X  
Panel Set: 1 schematic sheet1 84

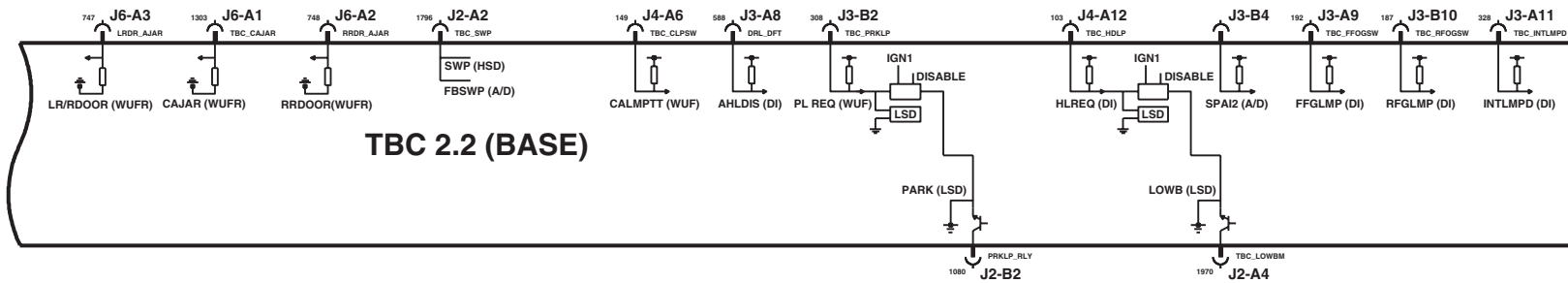
OBJECT ID  
k33251a  
SIVEDWORK/k33251a\_004

REVISION STAGE VERSION LAST CHANGED BY  
004 BETA2 1  
Wednesday, April 25, 2001

9:06:54 am

ORGANIZATION  
CKMC03  
Panel Set: 1

## Truck Body Computer 2.2 (TBC): Base (w/o DDM/PDM)



**TBC 2.2 (BASE)**

TBC 2.2 BASE (W/O DDM/PDM)  
CK EAU 03 X  
Panel Set: 2 schematic sheet1 84

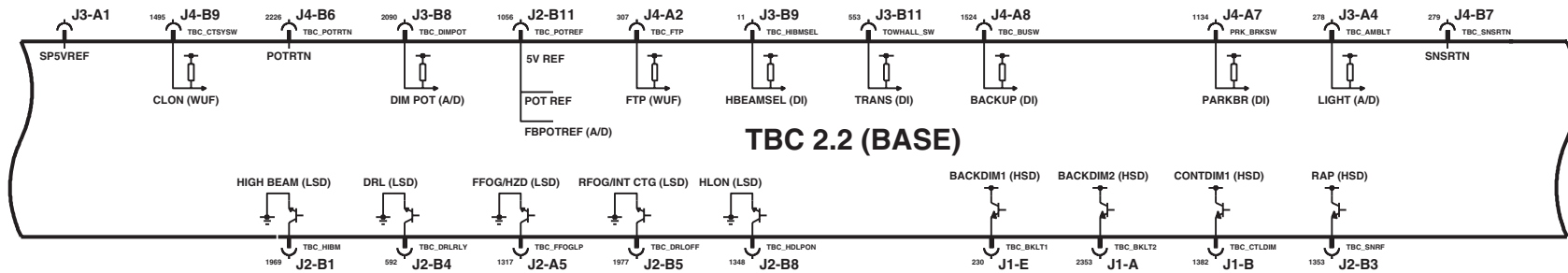
OBJECT ID  
k33251a  
SIVEDWORK/k33251a\_004

REVISION STAGE VERSION LAST CHANGED BY  
004 BETA2 1  
Wednesday, April 25, 2001

9:06:54 am

ORGANIZATION  
CKMC03  
Panel Set: 2

## Truck Body Computer 2.2 (TBC): Base (w/o DDM/PDM)



TBC 2.2 BASE (W/O DDM/PDM)

CK EAU 03 X  
Panel Set: 3 schematic sheet1 84

OBJECT ID  
k33251a

SIVEDWORK/k33251a\_004

REVISION STAGE VERSION LAST CHANGED BY

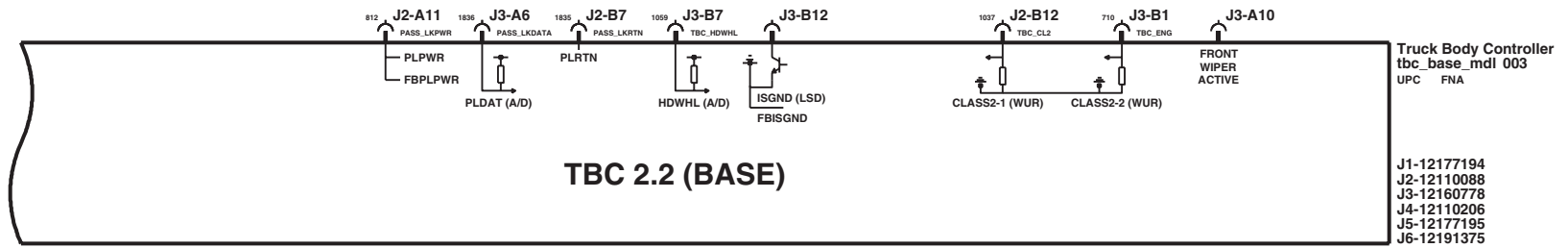
004 BETA2 1 Wednesday, April 25, 2001

9:06:54 am

ORGANIZATION  
CKMC03  
Panel Set: 3



## Truck Body Computer 2.2 (TBC): Base (w/o DDM/PDM)



**TBC 2.2 BASE (W/O DDM/PDM)**  
CK EAU 03 X  
Panel Set: 4 schematic sheet1 84

OBJECT ID  
k33251a  
SIVEDWORK/k33251a\_004

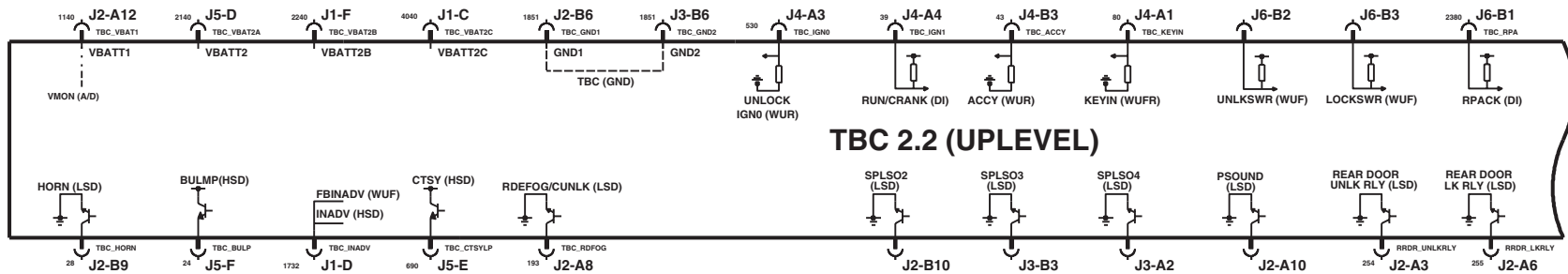
REVISION STAGE VERSION LAST CHANGED BY  
004 BETA2 1  
Wednesday, April 25, 2001

9:06:54 am

ORGANIZATION  
CKMC03  
Panel Set: 4

# 2003 & BEYOND LIGHT DUTY C/K FULL-SIZE TRUCK ELECTRICAL

## Truck Body Computer 2.2 (TBC): Uplevel (w/ DDM/PDM)



**TBC 2.2 UPLEVEL (W/ DDM/PDM)**  
 CK EAU 03 X  
 Panel Set: 1 schematic sheet1 114

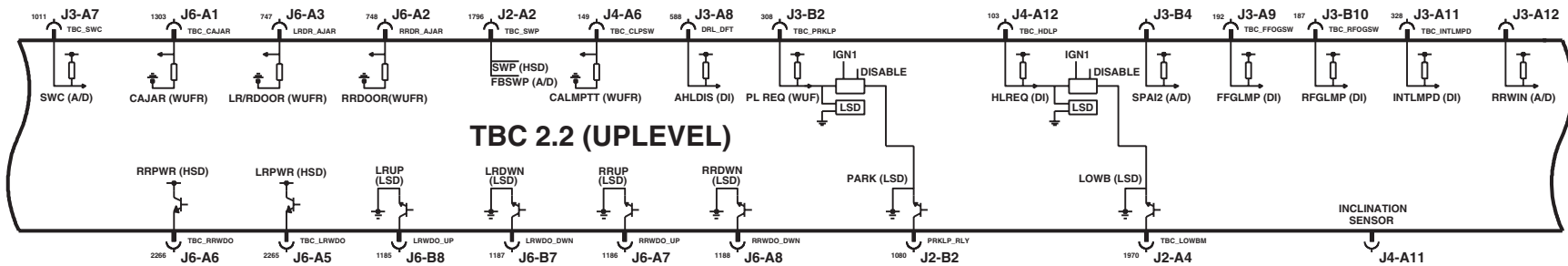
OBJECT ID  
**k33251b**  
 SIVEDWORK/k33251b\_004

REVISION STAGE VERSION LAST CHANGED BY  
**004 BETA2 1**  
 Friday, March 8, 2002

7:53:31 am

ORGANIZATION  
**CKMC03**  
 Panel Set: 1

## Truck Body Computer 2.2 (TBC): Uplevel (w/ DDM/PDM)



**TBC 2.2 UPLEVEL (W/ DDM/PDM)**  
 CK EAU 03 X  
 Panel Set: 2 schematic sheet1 114

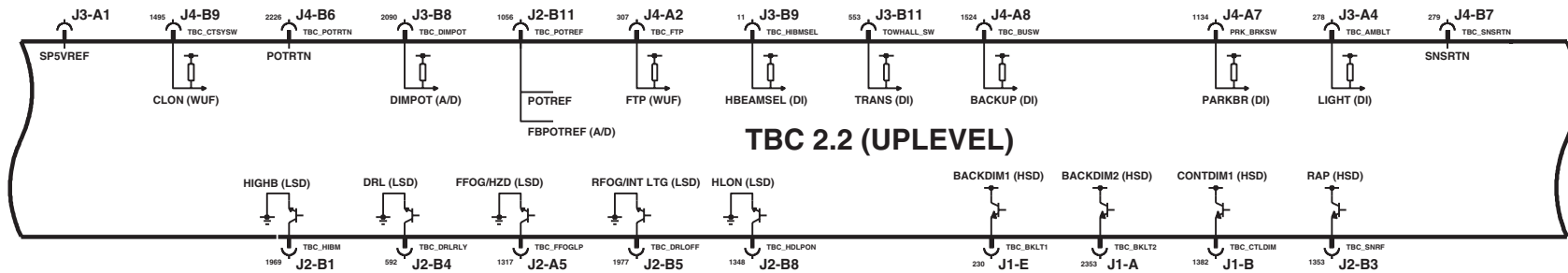
OBJECT ID  
**k33251b**  
 SIVEDWORK/k33251b\_004

REVISION STAGE VERSION LAST CHANGED BY  
**004 BETA2 1**  
 Friday, March 8, 2002

7:53:31 am

ORGANIZATION  
**CKMC03**  
 Panel Set: 2

## Truck Body Computer 2.2 (TBC): Uplevel (w/ DDM/PDM)



**TBC 2.2 UPLEVEL (W/ DDM/PDM)**  
 CK EAU 03 X  
 Panel Set: 3 schematic sheet1 114

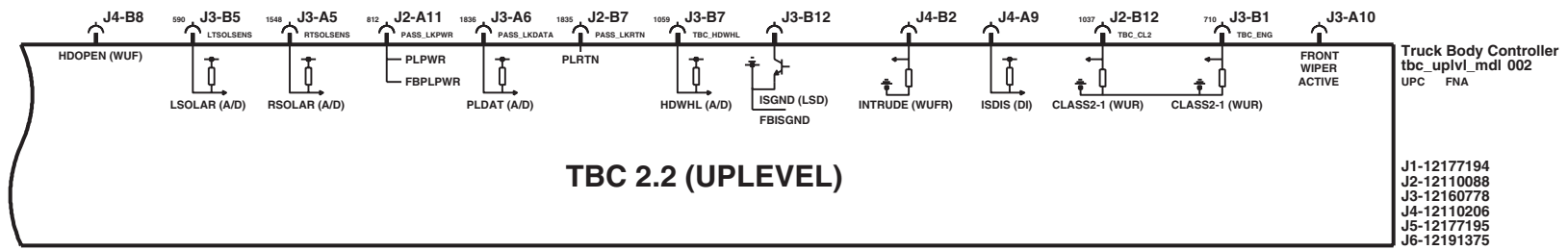
OBJECT ID  
**k33251b**  
 SIVEDWORK/k33251b\_004

REVISION STAGE VERSION LAST CHANGED BY  
**004 BETA2 1**  
 Friday, March 8, 2002

7:53:31 am

ORGANIZATION  
**CKMC03**  
 Panel Set: 3

## Truck Body Computer 2.2 (TBC): Uplevel (w/ DDM/PDM)



TBC 2.2 UPLEVEL (W/ DDM/PDM)  
CK EAU 03 X  
Panel Set: 4 schematic sheet1 114

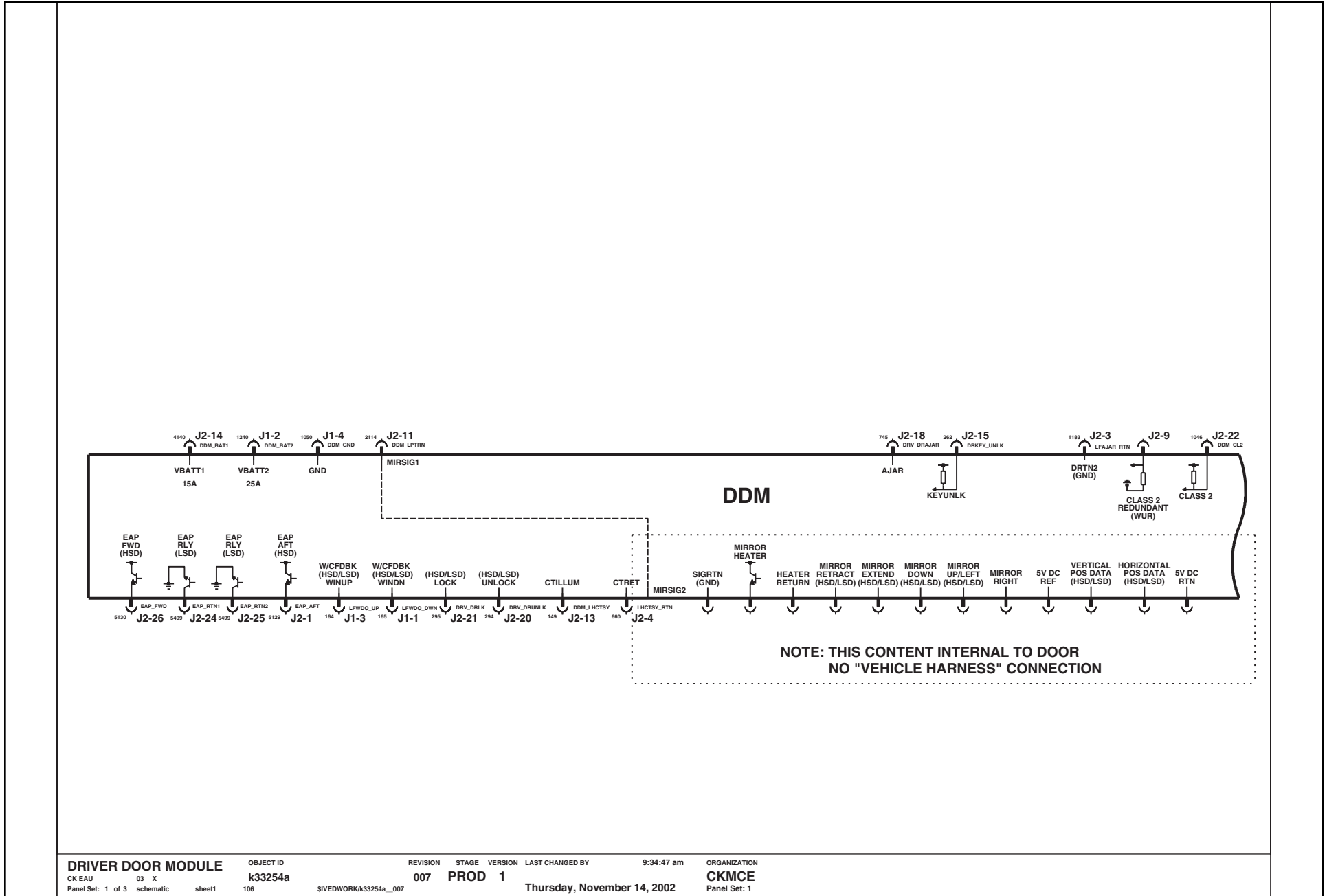
OBJECT ID  
k33251b  
SIVEDWORK/k33251b\_004

REVISION STAGE VERSION LAST CHANGED BY  
004 BETA2 1  
Friday, March 8, 2002

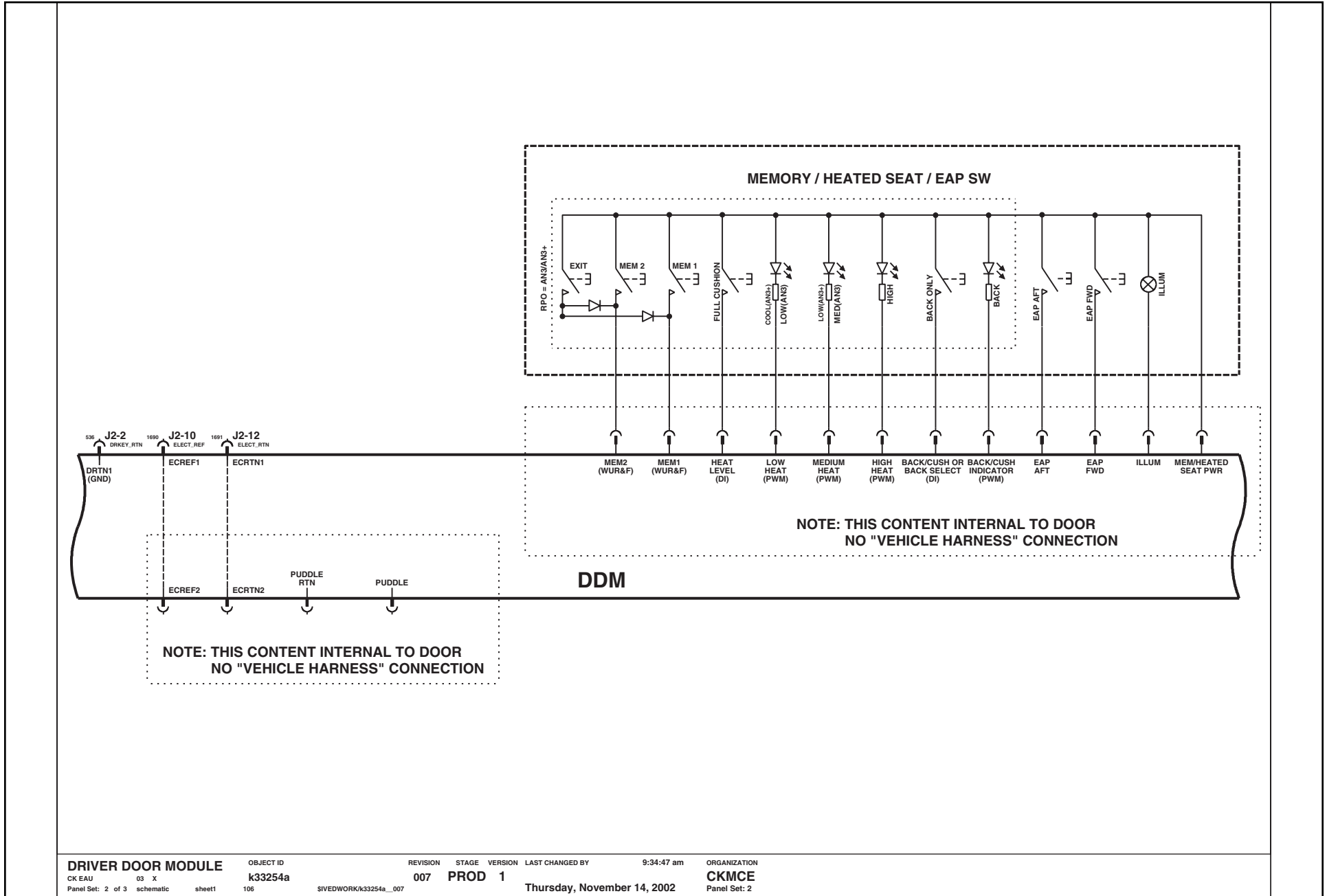
7:53:31 am

ORGANIZATION  
CKMC03  
Panel Set: 4

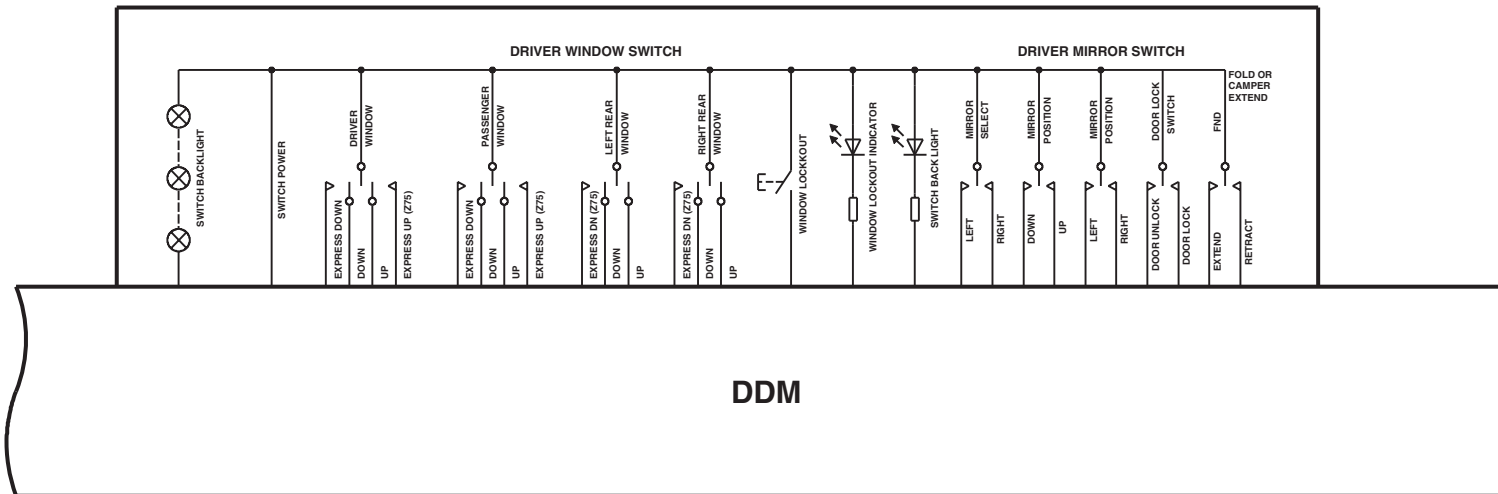
## Driver Door Module



## Driver Door Module



## Driver Door Module



Driver Door Module  
 drv\_dr\_mdl 007  
 UPC FNA

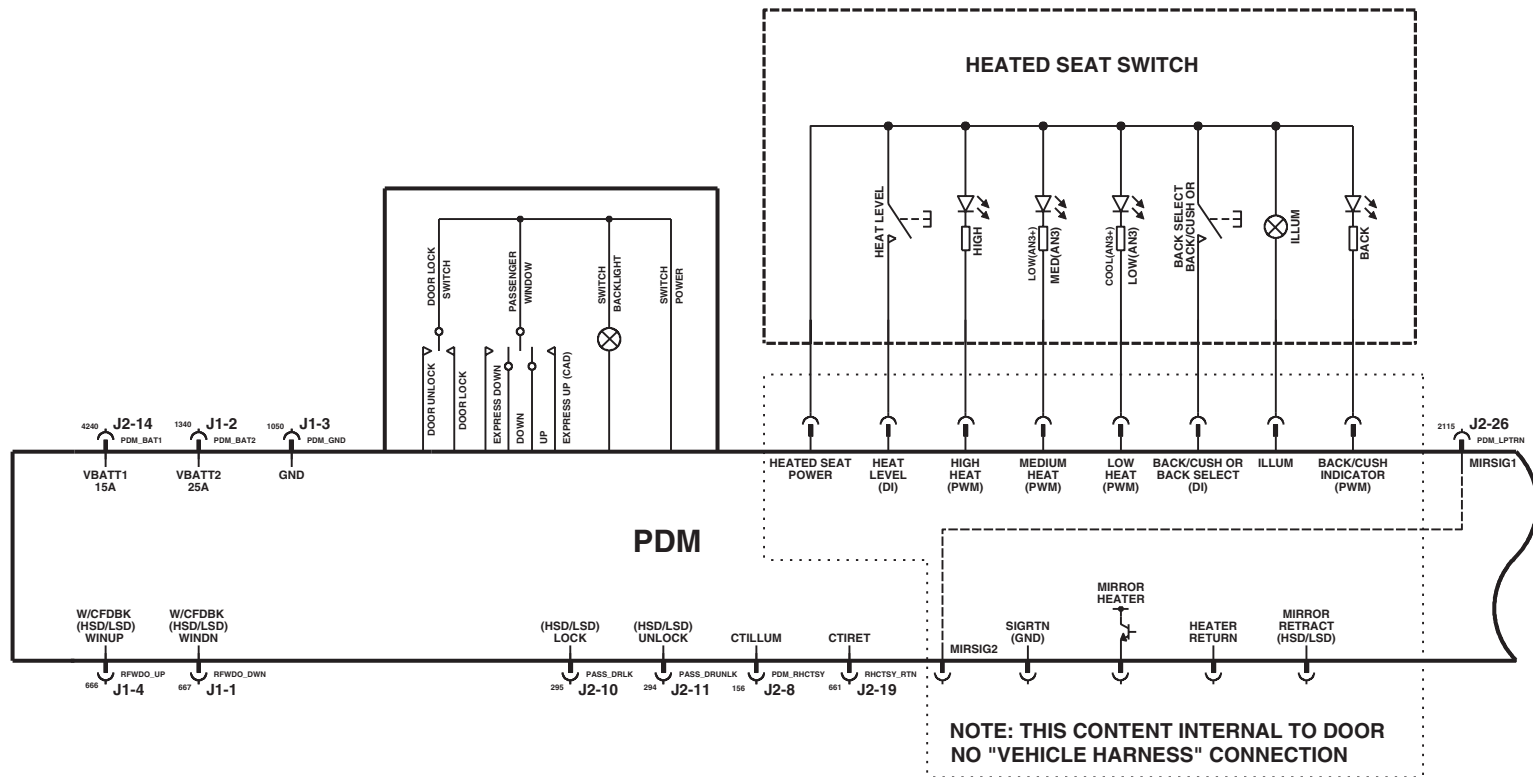
J1-15411588  
 J2-15393409  
 J3-15393865  
 J4-15393865  
 J5-TBD

NOTE:  
 NO VEHICLE  
 HARNESS

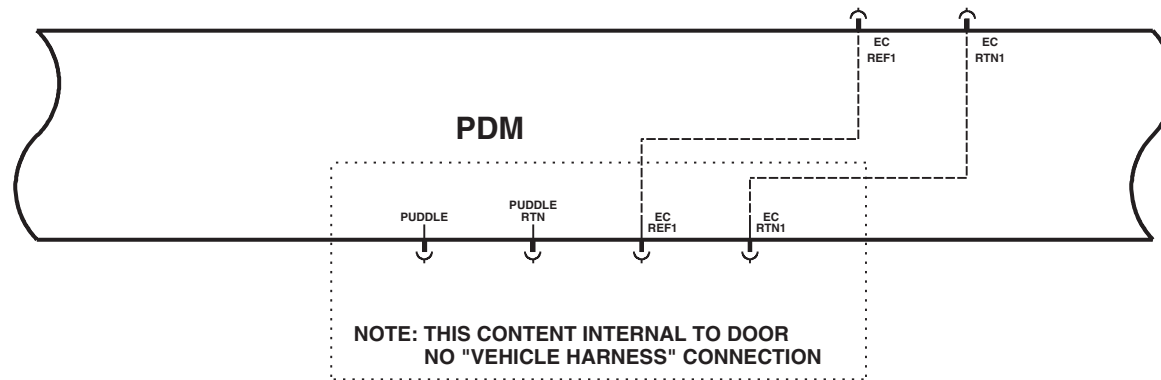
J3=AMP#638393-1  
 J4=AMP#638393-2  
 J5=AMP#638394



## Passenger Door Module



## Passenger Door Module



## Passenger Door Module

